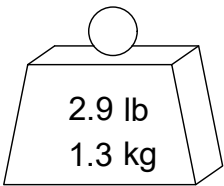
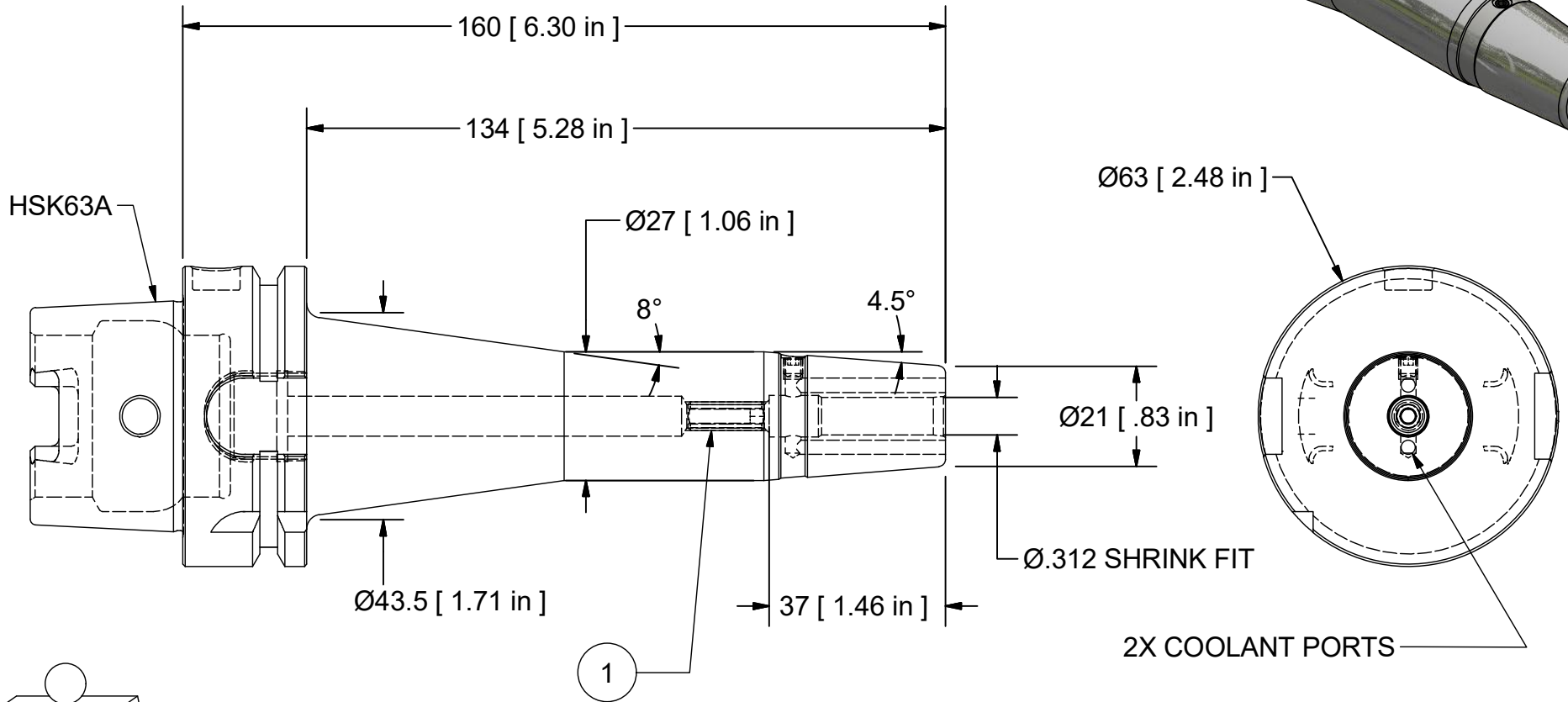
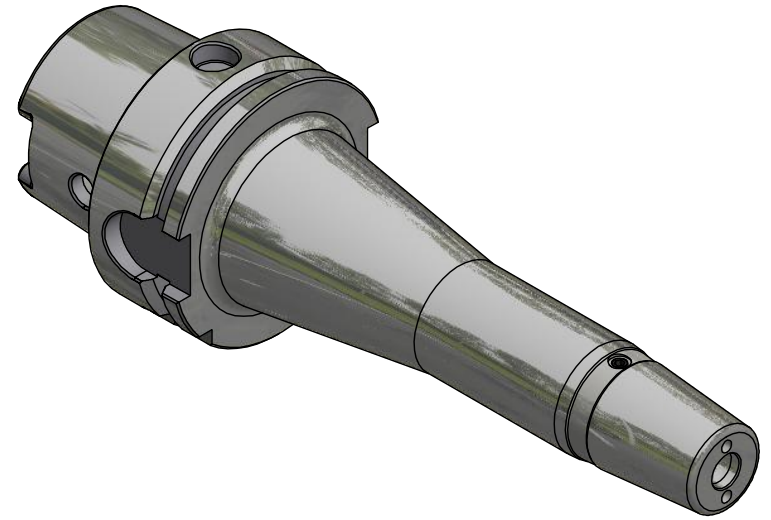


Parts List

ITEM	QTY	PART NUMBER	DESCRIPTION	
1	1	BS-SFM061-16	ADJUSTING SCREW	OPTIONAL



2.9 lb  
1.3 kg

BALANCE

G2.5 @ 20,000 RPM

PART  
NUMBER

H63A-31SF630-9C

**PARLEC**

(800) TOOL USA  
WORLD HEADQUARTERS  
101 PERINTON PARKWAY  
FAIRPORT, NEW YORK 14450

