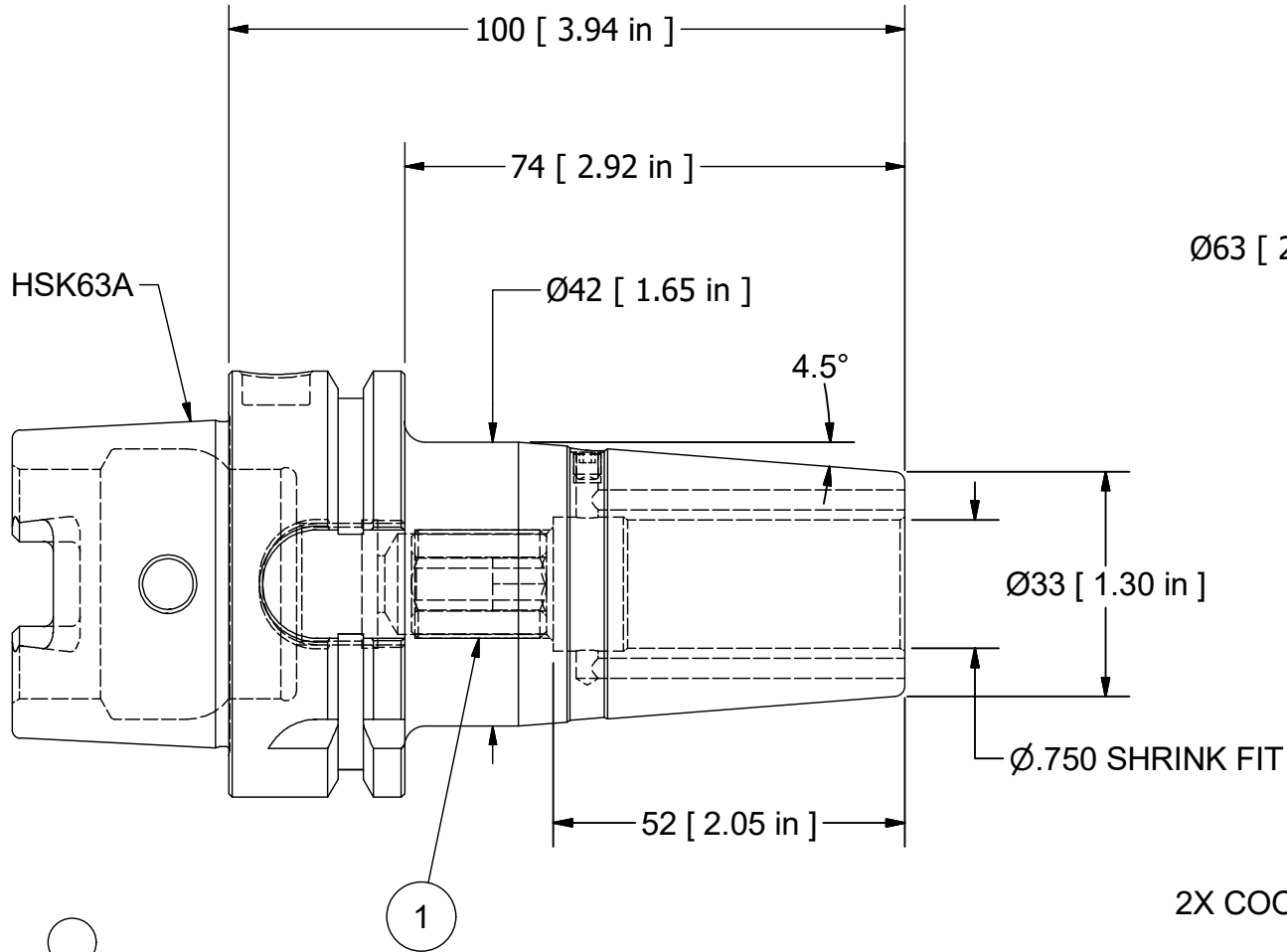
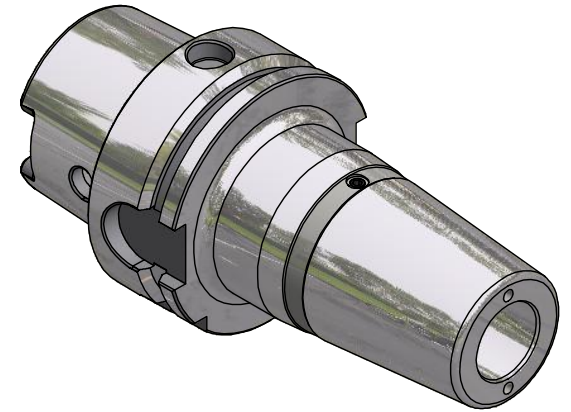
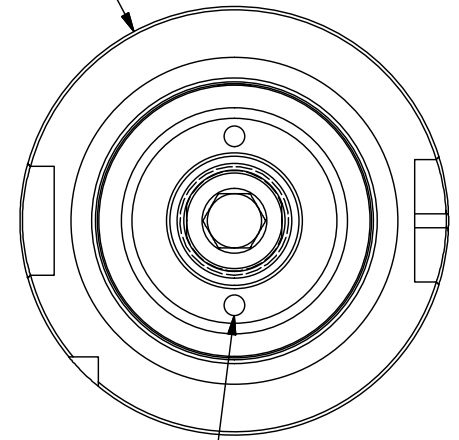


Parts List

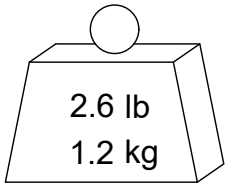
ITEM	QTY	PART NUMBER	DESCRIPTION	
1	1	BS-SFM161-20	ADJUSTING SCREW	OPTIONAL



Ø63 [2.48 in]



2X COOLANT PORTS



2.6 lb
1.2 kg

BALANCE

G2.5 @ 20,000 RPM

PART
NUMBER

H63A-75SF394-9C

PARLEC
 (800) TOOL USA
 WORLD HEADQUARTERS
 101 PERINTON PARKWAY
 FAIRPORT, NEW YORK 14450