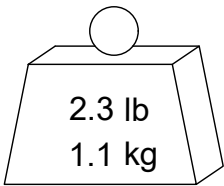
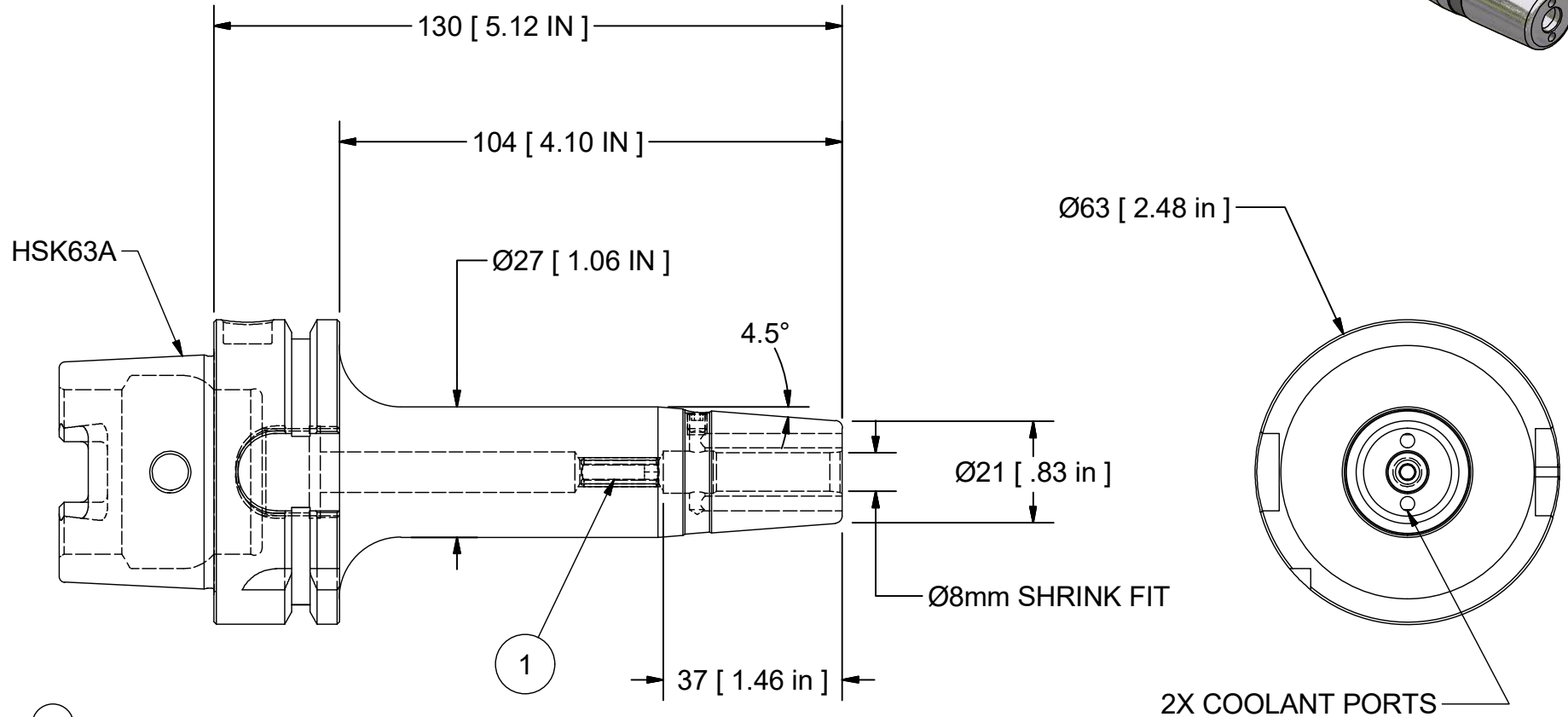
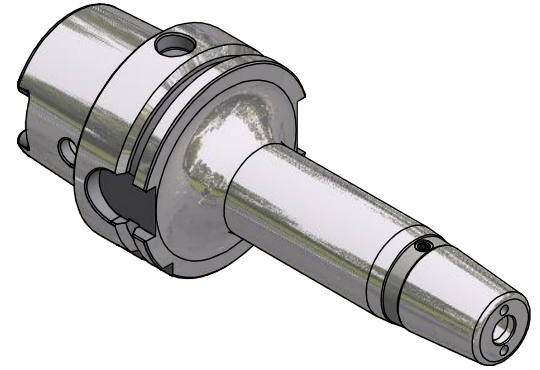


Parts List

ITEM	QTY	PART NUMBER	DESCRIPTION	
1	1	BS-SFM061-16	ADJUSTING SCREW	OPTIONAL



2.3 lb
1.1 kg

BALANCE

G2.5 @ 20,000 RPM

PART
NUMBER

H63A-M08SF130-9C

PARLEC

(800) TOOL USA
WORLD HEADQUARTERS
101 PERINTON PARKWAY
FAIRPORT, NEW YORK 14450

