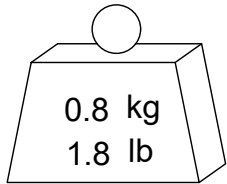
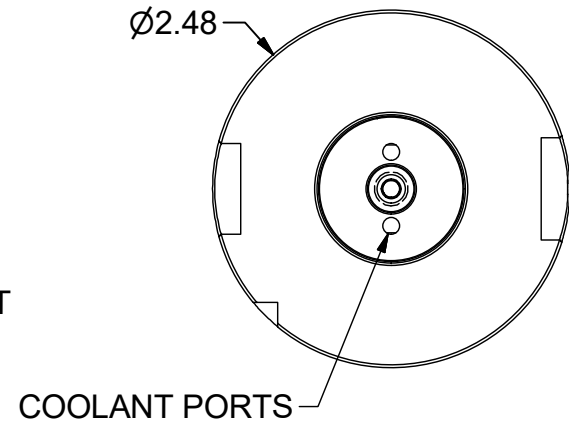
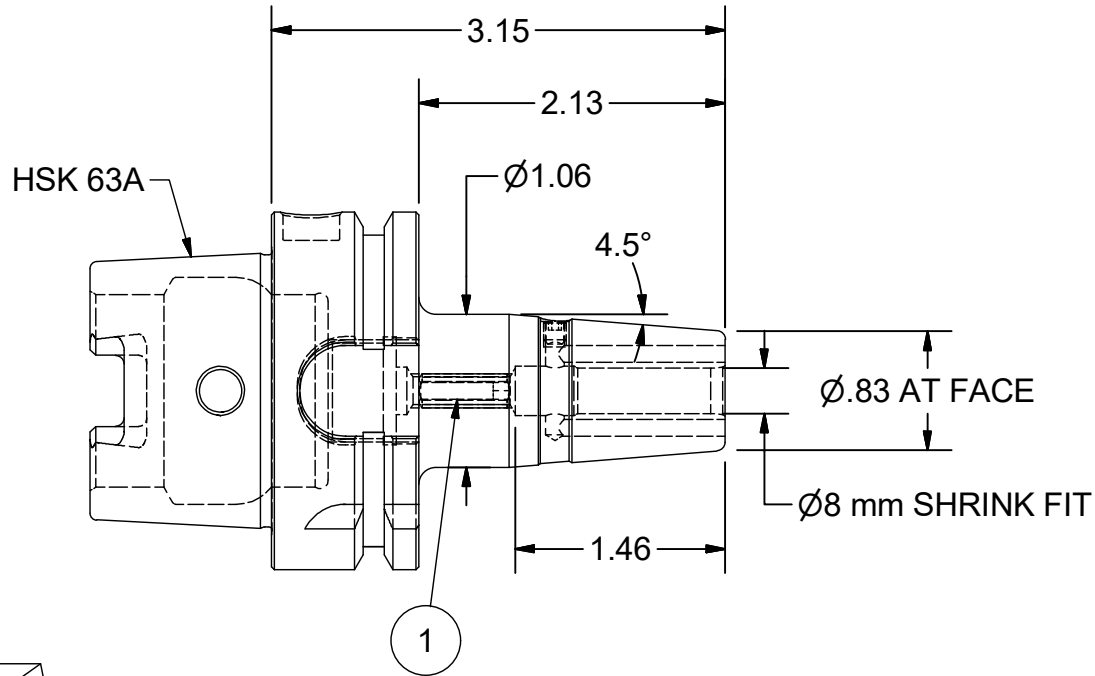
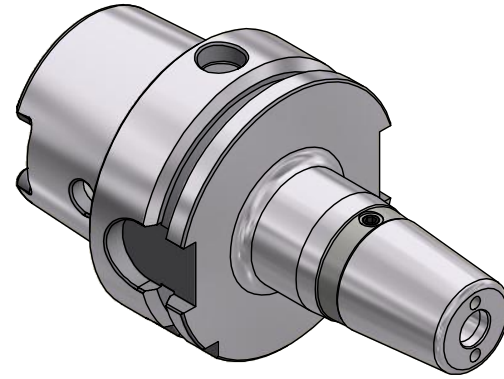


Parts List

ITEM	QTY	PART NUMBER	DESCRIPTION	
1	1	BS-SFM061-16	ADJUSTING SCREW	OPTIONAL



BALANCE  
G2.5 @ 20,000 RPM

PART  
NUMBER

H63A-M08SF80-9C

**PARLEC**  
 (800) TOOL USA  
 WORLD HEADQUARTERS  
 101 PERINTON PARKWAY  
 FAIRPORT, NEW YORK 14450

