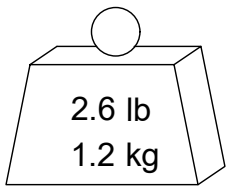
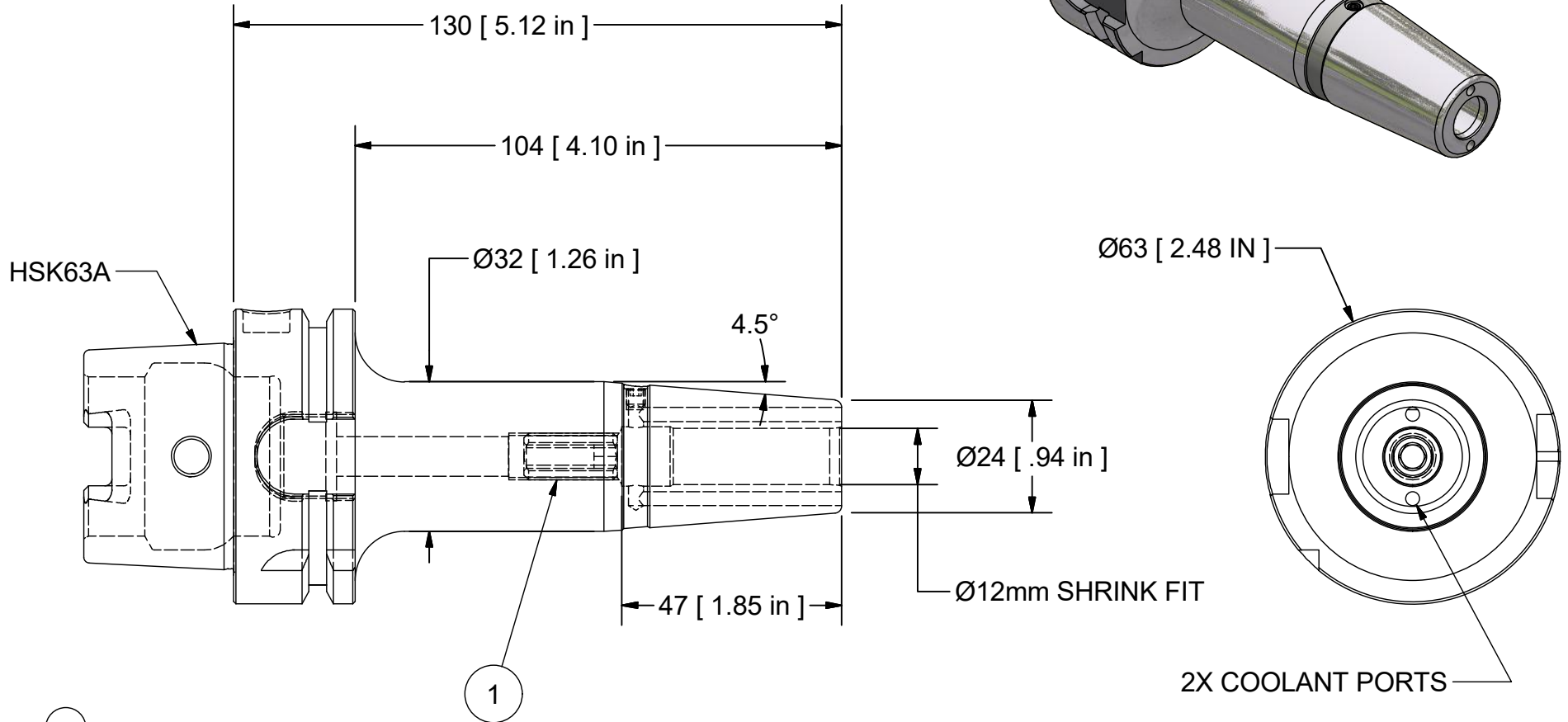
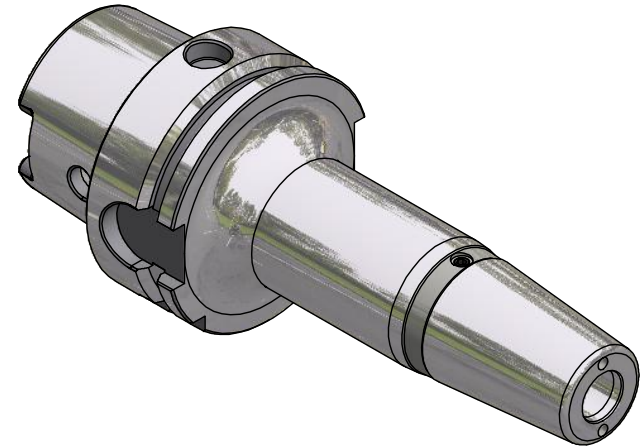


Parts List

| ITEM | QTY | PART NUMBER  | DESCRIPTION     |          |
|------|-----|--------------|-----------------|----------|
| 1    | 1   | BS-SFM101-20 | ADJUSTING SCREW | OPTIONAL |



2.6 lb  
1.2 kg

BALANCE

G2.5 @ 20,000 RPM

PART  
NUMBER

**H63A-M12SF130-9C**

**PARLEC**

(800) TOOL USA  
WORLD HEADQUARTERS  
101 PERINTON PARKWAY  
FAIRPORT, NEW YORK 14450

