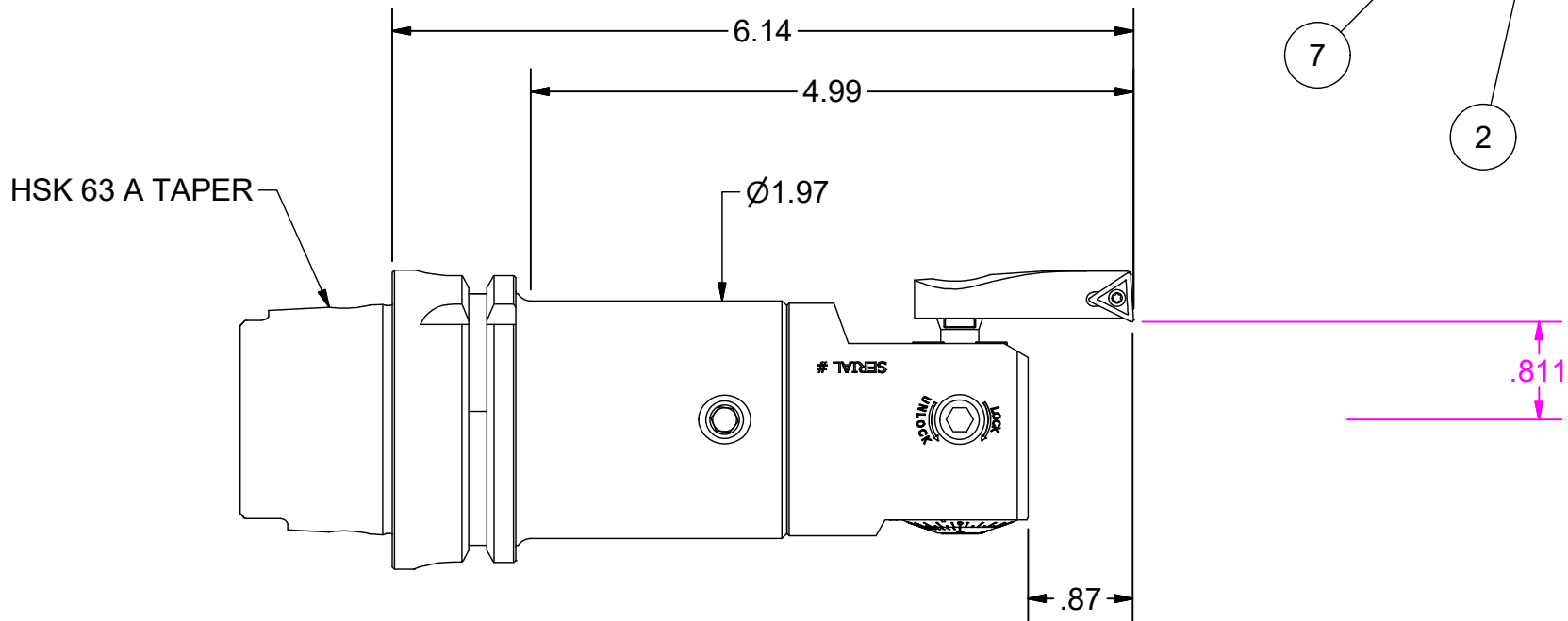
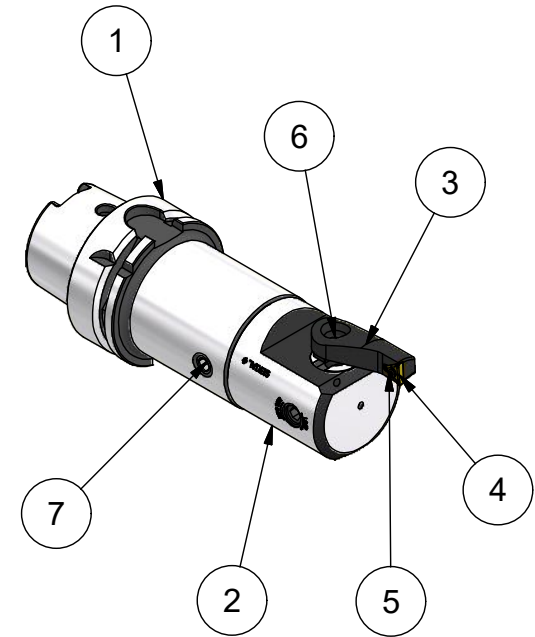


Parts List

ITEM	QTY	PART NUMBER	DESCRIPTION
1	1	H63A-PC5-105	PC SHANK
2	1	PC5-3515	SIZE 5 FINISH HEAD, INCH
3	1	351-ODT11-BTS790	Custom Insert Holder
4	1	INSERT TCMT11	Sold Separately
5	1	028-905	INSERT SCREW (included)
6	1	3515-01	INSERT HOLDER CLAMP (included)
7	1	880-005	PC SCREW SIZE 5 (included)



PART NUMBER **H63A-PC5-105-3515-351ODT11790**

