

01.11.2025

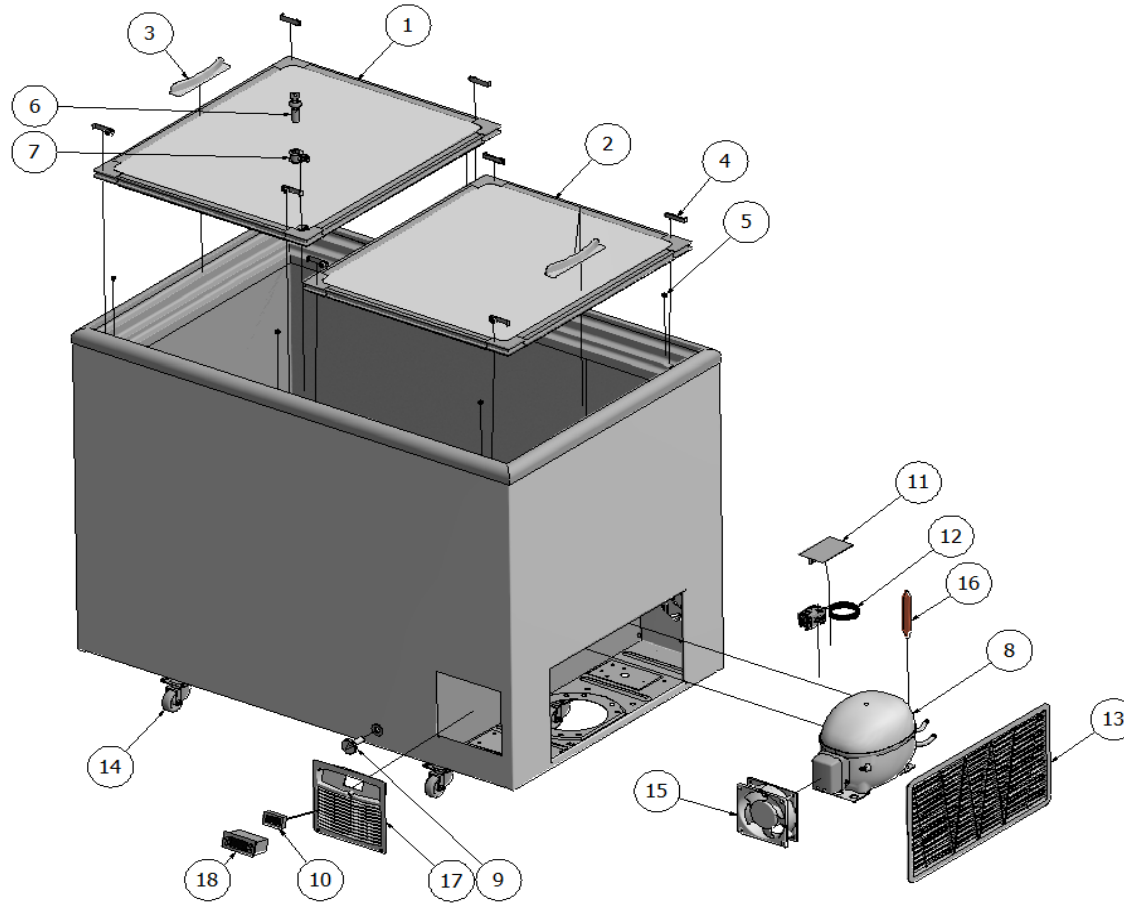
SPAREPARTS LIST CUBE

v28



ECO DESIGN 2023

ITEM NO.	DESCRIPTION	CUBE 22		CUBE 35		CUBE 45		CUBE 53		CUBE 61	
		CODE		CODE		CODE		CODE		CODE	
1	CUBE LID UPPER	8011.0112		8011.0212		8011.0312		8011.0412		8011.0512	
2	CUBE LID LOWER	8011.0113		8011.0213		8011.0313		8011.0413		8011.0513	
3	GREY HANDLE FOR LID	82HAAND10		82HAAND10		82HAAND10		82HAAND10		82HAAND10	
4	MINI CASTORS UNDER LID (SET to 1 LID)	82PLASTD5		82PLASTD5		82PLASTD5		82PLASTD5		82PLASTD5	
5	DOWELS FOR LOCK (6 PCS)	82PLASTD6		82PLASTD6		82PLASTD6		82PLASTD6		82PLASTD6	
6	LOCK KIT COMPLETE	8100.0301		8100.0301		8100.0301		8100.0301		8100.0301	
7	LOCK HOLDER IN UPPER GLASS	82PLASTD31		82PLASTD31		82PLASTD31		82PLASTD31		82PLASTD31	
MOTOR COMPARTMENT											
8	COMPRESSOR 230V 50HZ R290	82EMC3117U		82EMC3121U		82EMC3125U		82EMC3134U		82EMC3140U	
OTHER											
9	STOPPER FOR OUTSIDE DRAIN	82E1HU		82E1HU		82E1HU		82E1HU		82E1HU	
10	DIGITAL THERMOMETER	82FTERMOMETB2		82FTERMOMETB2		82FTERMOMETB2		82FTERMOMETB2		82FTERMOMETB2	
11	THERMOSTAT PANEL	82E35H		82E35H		82E35H		82E35H		82E35H	
12	THERMOSTAT R290	82TERMOSTAT11		82TERMOSTAT11		82TERMOSTAT11		82TERMOSTAT11		82TERMOSTAT11	
13	GRILL FOR ENGINE COMPARTMENT	82SP1417		82SP1417		82SP1417		82SP1417		82SP1417	
14	CASTORS 4 PCS KIT	8100.0200		8100.0200		8100.0200		8100.0200		8100.0200	
14	CASTORS 2 PCS WITH, 2 PCS W/O BRAKE	8100.0202		8100.0202		8100.0202		8100.0202		8100.0202	
15	FAN 110 - 240V	--		--		--		82BLAES9		82BLAES9	
16	FILTER DRYER	82FILTER6XH9		82FILTER6XH9		82FILTER6XH9		82FILTER6XH9		82FILTER6XH9	
17	FRONT VENTILATION GRILL	82PLASTMFP15		82PLASTMFP15		82PLASTMFP15		82PLASTMFP15		82PLASTMFP15	
17	FRONT VENTILATION GRILL	82PLASTMFP13		82PLASTMFP13		82PLASTMFP13		82PLASTMFP13		82PLASTMFP13	



82PLASTMFP13
w/DIXELL



82PLASTMFP15
w/Thermometer