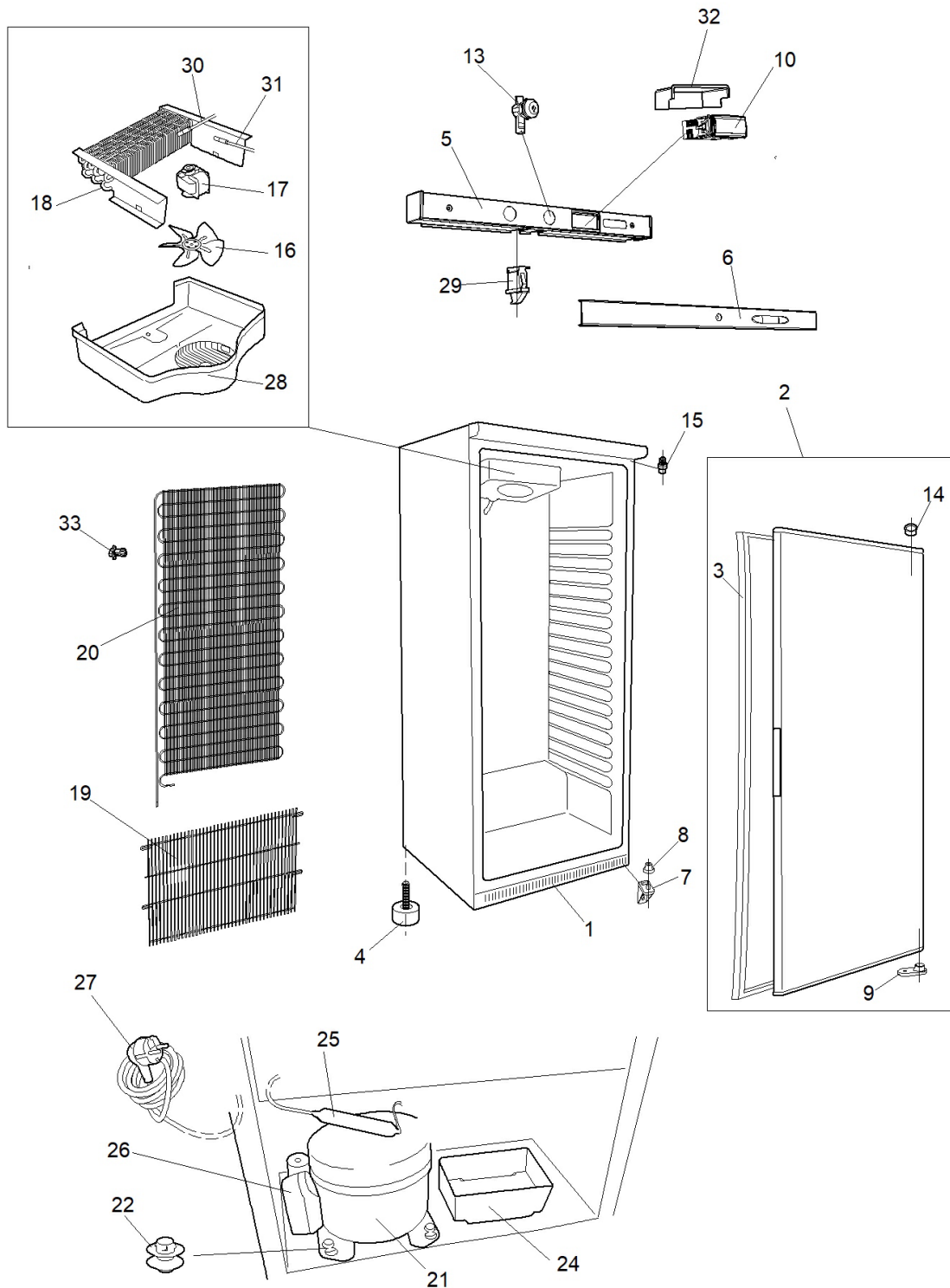


EBA151647 - KIC PVX 40 M LIGHT TOUCH R600



**EBA151647 - KIC PVX 40 M LIGHT TOUCH R600**

Pos.	Code	Description	Qty
1	8915437	FRONT GRID KIC NX32/40 430/SB	1
2	8441026	COMPLETE DOOR KIC40 INOX 304/SB	1
3	4612146	BLACK GASKET	1
4	1721695	LEVELING FOOT M8X51 BEV	2
5	1722417	TOP CONTROL BOARD TOUCH KIC40 METALLIC GREY	1
6	1722410	SILK SCREENED FRONT TOP INSERT	1
7	5622077	RIGHT LOWER HINGE BEV BLACK	1
8	5601069	LOWER HINGE SPACER KIC	1
9	1721540	HINGE BUSH CHEF R10 NATURAL	1
10	1188255	DIGITAL THERMOSTAT	1
13	5601083	LOCK GIUSSANI	1
14	1522302	LOWER HINGE BUSH D.19	1
15	5601102	UPPER HINGE PIVOT M12X1.75 BEV	1
16	4122020	SUCTION FAN D.150X26° 5A PLASTIC	1
17	4121195	MOTOR FAN 7W IQ3608 EBM-PAPST	1
18	4132145	EVAPORATOR WITH MOTOR FAN KIC PV60 LT R600	1
19	0621259	REAR GRID BEV40 WHITE	1
20	4112082	WIRE CONDENSER 42T STEP 25 ICE DV40	1
21	4108089	COMP.EMBRACO EMC55CLT RSCR 220/240-50 R600	1
22	1521149	DAMPER FOR COMPRESSOR	4
24	1721724	TRAY CONDENS.WATER BEV40	1
25	3141047	FILTER XH9 ENTRY 5.2 OUT 2.75 GR10	1
26	1147563	ACC.SET EMC55CLT RSCR 220/240-50	1
27	1021001	CABLE SUPPLY 3X1X2150	1
28	1721625	EVAPORATOR COVER BEV PV40 WHITE	1
29	1195012	MICRO-SWITCH BLACK	1
30	1185050	NTC L=2000 DIGITAL THERMOSTAT PROBE	1
31	1185052	NTC L=2000 DIGITAL THERMOSTAT PROBE PVC	1
32	1722407	THERMOSTAT BOX	1
33	1721407	LONG BRACKET FOR CONDENSER BLACK	4