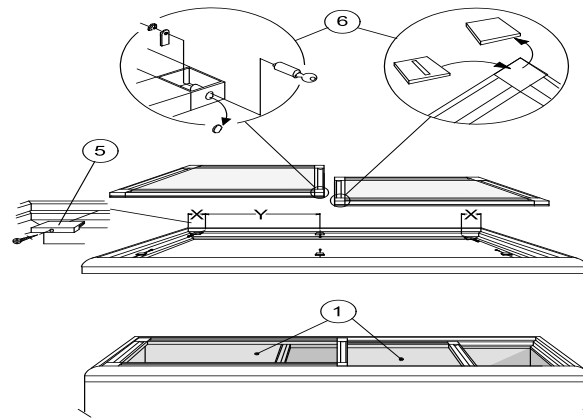


01.11.2025

SPAREPARTS LIST EL-LTS, UNI-S BOX W/SLIDING GLASS LID and UNI



X = 100 mm
 Y {
 22 = 165 mm
 35 = 340 mm
 45 = 460 mm
 53 = 535 mm
 51 = 645 mm

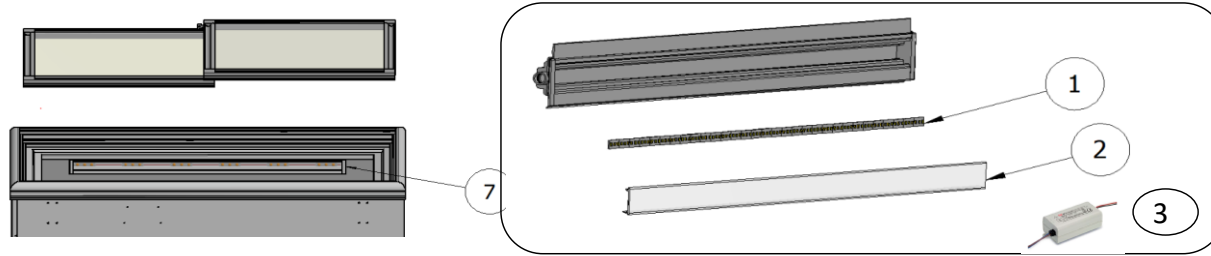


EL-LTS, UNI-S and UNI

v28

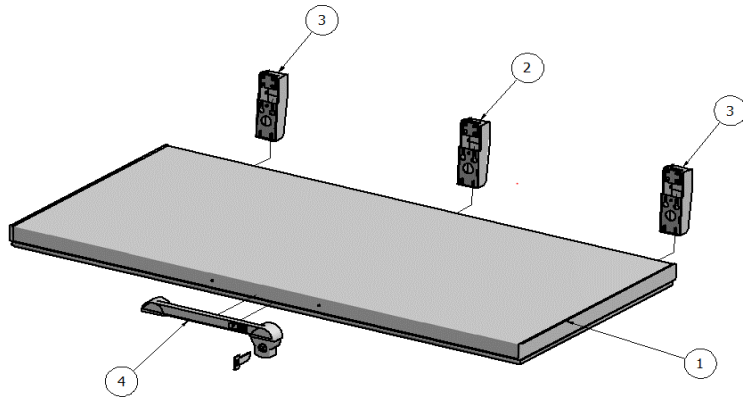
ITEM NO.	PCS	DESCRIPTION	MODEL 11		MODEL 21		MODEL 31		MODEL 41		MODEL 51	
			CODE		CODE		CODE		CODE		CODE	
1	1	Glass Lid upper with lock	8014.0100		8014.0202		8014.0302		8014.0402		8014.0502	
1	1	Glass Lid lower with lock	8014.0101		8014.0203		8014.0303		8014.0403		8014.0503	
1	1	CAL lid upper with lock	8011.0100		8011.0200		8011.0300		8011.0400		8011.0500	
1	1	CAL lid lower with lock	8011.0101		8011.0201		8011.0301		8011.0401		8011.0501	
5	6	Dowels (SG4 lock)	82SP1993		82SP1993		82SP1993		82SP1993		82SP1993	
6	1	Lock kit complete	82CYL1SG4		82CYL1SG4		82CYL1SG4		82CYL1SG4		82CYL1SG4	
6	2	Key	82NOEGLE2		82NOEGLE2		82NOEGLE2		82NOEGLE2		82NOEGLE2	

INTERNAL LIGHT



			MODEL 11		MODEL 21		MODEL 31		MODEL 41		MODEL 51	
1	1	LED LIGHTS					82LED17					
2	1	CLEAR LIGHT COVER					8100.0626					
3	1	POWER SUPPLY 115/230V					82PSU3					

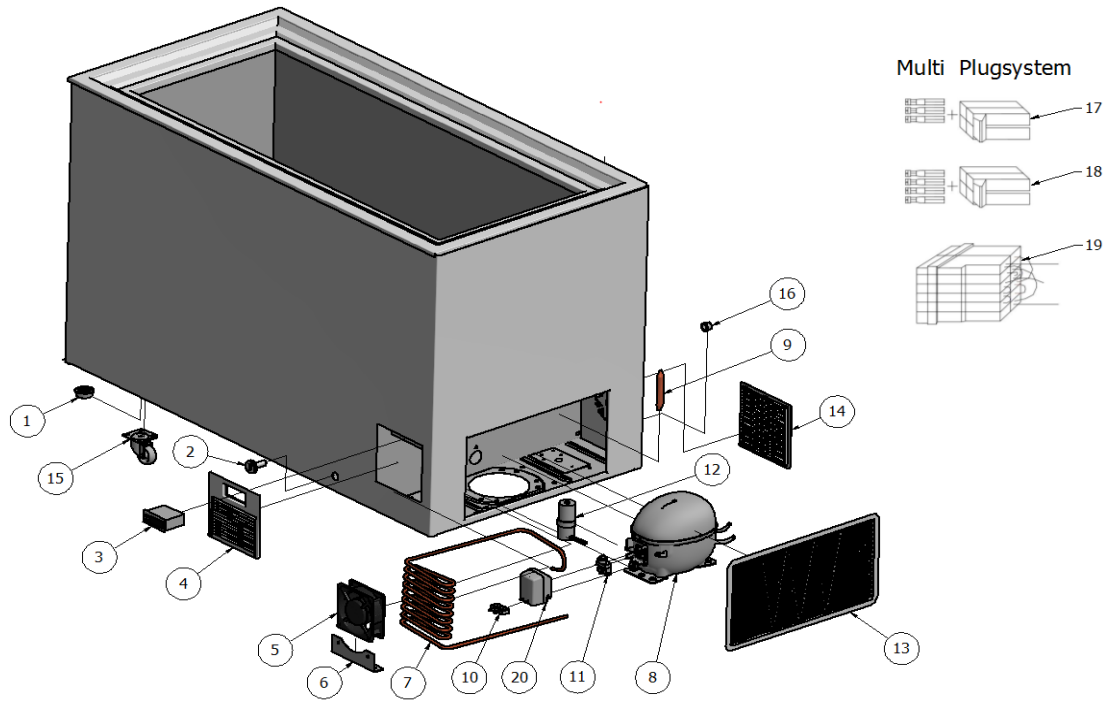
Lid and accessories for EL-LT and UNI box with solid lid:



EL-LT and UNI

			MODEL 11		MODEL 21		MODEL 31		MODEL 41		MODEL 51	
ITEM NO.	PCS	DESCRIPTION	CODE	EURO	CODE	EURO	CODE	EURO	CODE	EURO	CODE	EURO
1	1	Lid w/o hinges	8010.0100		8010.0200		8010.0302		8010.0402		8010.0502	
2	1	Hinge w/o spring	-		-		82HAENG00		82HAENG00		82HAENG00	
3	1	Hinge	82HAENG42		82HAENG42		82HAENG42		82HAENG42		82HAENG42	
4	1	Plastic grip with lock	82EPCH		82EPCH		82EPCH		82EPCH		82EPCH	

SPAREPART LIST EL-LT, EL-LTS, UNI and UNI-S boxes:



EL-LT, EL-LTS, UNI og UNI-S

ITEM NO.	PCS	DESCRIPTION	MODEL 11		MODEL 21		MODEL 31		MODEL 41		MODEL 51	
			CODE		CODE		CODE		CODE		CODE	
1	4	Plastic foot	82SP1412		82SP1412		82SP1412		82SP1412		82SP1412	
2	1	Stopper for drain	82E1HU		82E1HU		82E1HU		82E1HU		82E1HU	
4	1	Front ventilation grill	82PLASTMFP13		82PLASTMFP13		82PLASTMFP13		82PLASTMFP13		82PLASTMFP13	
6	1	Bracket for fan	82BESLAGBL		82BESLAGBL		82BESLAGBL		82BESLAGBL		82BESLAGBL	
7	1	Precondensor	82FORKONDL1		82FORKONDL1		82FORKONDL1		82FORKONDL1		82FORKONDL1	
9	1	Filter dryer	82FILTER6XH9		82FILTER6XH9		82FILTER6XH9		82FILTER6XH9		82FILTER6XH9	
13	1	Cover for motor room	82SP1417		82SP1417		82SP1417		82SP1417		82SP1417	
14	1	Square grill	82PLASTMFP14		82PLASTMFP14		82PLASTMFP14		82PLASTMFP14		82PLASTMFP14	
15	1	Wheels set(2 w. brake)	8100.0202		8100.0202		8100.0202		8100.0202		8100.0202	
16	1	Cable retainer	82E59AFLAST1		82E59AFLAST1		82E59AFLAST1		82E59AFLAST1		82E59AFLAST1	
17	1	Plug with two pins										
18	1	Plug with four pins										

230 volt 50 Hz

STANDARD

3	1	Electronic thermostat 230V Incl. sensor	82DIXELL30CH2		82DIXELL30CH2		82DIXELL30CH2		82DIXELL30CH2		82DIXELL30CH2	
5	1	Fan230V	82BLAES230HBT		82BLAES230HBT		82BLAES230HBT		82BLAES230HBT		82BLAES230HBT	
8	1	Compressor 230V 50HZ, R290	82NEU2140U		82NEU2155U		82NEU2168U		82NEU2168U		82NEU2178U	
19	1	Multiplug with cable									82TSK0102	
19	1	Multiplug with cable	82TSK0104		82TSK0104		82TSK0001		82TSK0001		82TSK0001	
11	1	Starting relay	82NEU2140URE		82NEU2155URE		82NEU2168URE		82NEU2168URE			
12	1	Starting capacitor	82NEU2140USK		82NEU2155USK		82NEU2168USK		82NEU2168USK			
		Motor protector/ KLIXON	82NEU2140UKL		82NEU2155UKL		82NEU2168UKL		82NEU2168UKL			
20	1	Cover	82103N2009		82103N2009		82103N2009		82103N2009		82103N2009	
10	1	Cord relief	82103N1004		82103N1004		82103N1004		82103N1004		82103N1004	

115 volt 60 Hz

UL SPEC.

ITEM NO.	PCS	DESCRIPTION	MODEL 11		MODEL 21		MODEL 31		MODEL 41		MODEL 51	
			CODE		CODE		CODE		CODE		CODE	
3	1	Electronic thermostat 115V Incl. sensor	82DIXELL30CH1		82DIXELL30CH1		82DIXELL30CH1		82DIXELL30CH1		82DIXELL30CH1	
5	1	Fan115V	82BLAES115HBT		82BLAES115HBT		82BLAES115HBT		82BLAES115HBT		82BLAES115HBT	
8	1	Compressor 120V 60HZ, R290							82NT2170UV1		82NT2180UV1	
8	1	Compressor 120V 60HZ, R290	82NEU2155U1		82NEU2155U1		82NEU2168U1		82NEU2168U1		82NEU2178U1	
19	1	Multiplug with cable	82TSKU0101		82TSKU0101		82TSKU0001		82TSKU0001		82TSKU0001	
12	1	Starting relay	82NEU2155U1RE		82NEU2155U1RE		82NEU2168U1RE		82NT2170UV1RE		82NT2180UV1RE	
13	1	Starting capacitor	82NEU2155U1SK		82NEU2155U1SK		82NEU2168U1SK		82NT2170UV1SK		82NT2180UV1SK	
	1	Motor protector/ KLIXON	82NEU2155U1KL		82NEU2155U1KL		82NEU2168U1KL		82NT2170UV1KL		82NT2180UV1KL	

