

Standard Installation



Flammable



Warning



High Voltage



Hot Surface

ALPINE

CEILING MOUNT - REMOTE DRIVER

TOOLS NEEDED:

- 3/32" Allen Wrench
- Waterproof Wire Connectors
- Mounting Hardware
- Mounting Hardware for Substrate

INSTRUCTIONS PERTAINING TO A RISK OF FIRE, OR INJURY TO PERSONS IMPORTANT SAFETY INSTRUCTIONS

Lighted fixture is HOT!

WARNING - To reduce the risk of FIRE OR INJURY TO PERSONS:

Turn off/unplug and allow to cool before replacing lamp/LED. Fixture gets HOT quickly! Contact only switch/plug when turning on. Do not touch hot lens, guard, or enclosure. Keep fixture away from materials that may burn. Do not operate the luminaire fitting with a missing or damaged shield. Do not touch the source at any time. Use a soft cloth or gloves. Oil from skin may cause damage.

SAVE THESE INSTRUCTIONS

IMPORTANT SAFETY INFORMATION - READ, FOLLOW, AND SAVE ALL SAFETY AND INSTALLATION INSTRUCTIONS

- Product must be installed by a qualified person in a manner consistent with its intended use and in compliance with the National Electrical Code, Canadian Electrical Code, and all Local and Provincial Codes.
- Follow product label information and instructions.
- Qualified Personnel with appropriate personal protective equipment must perform all servicing of this product.
- Before wiring to power supply and during servicing, turn off and lock out power at fuse or circuit breaker before service.
- The use of accessory equipment not recommended by the manufacturer or installed contrary to instructions may cause an unsafe condition. The use of damaged components may cause an unsafe condition and void product warranty.
- Do not block light emanating from product in whole or part, as this may cause an unsafe condition.
- Never operate the fixture with missing or damaged lens. Lens must be cleaned on regular basis.
- Entire fixture may become extremely hot. Do not touch hot lens or fixture body.
- Replace LED assembly only with correct wattage and type of power supply appropriate for LED assembly.
- All gaskets, o-rings and sealing surfaces must be kept clean during installation and service; failure to do this may cause an unsafe condition and void product warranty.

IMPORTANT LISTINGS AND CERTIFICATIONS

- Suitable for wet locations

REMOTE WIRING

LED Driver

Remote driver installations require inter-connected wiring between the LED and driver. Drivers have specific wiring requirements between these components. Driver manufacturers regularly recommend the following wiring details for such installations:

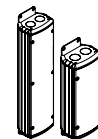
- Do not exceed 50 foot overall wiring distance using 12 gauge copper wire.

Failure to comply with specific wiring requirements will void product warranty.

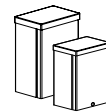
DRIVER HOUSING REQUIRED
Please refer to specified remote driver housing documentation for detailed installation instructions.

REMOTE DRIVER HOUSINGS:

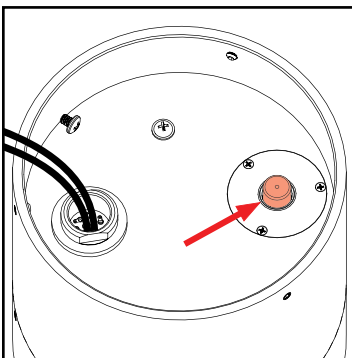
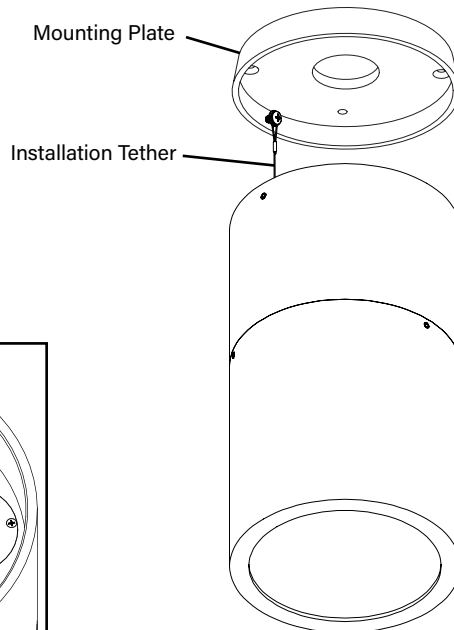
- PM3RM** - Universal Power Module 3 Remote
- PM3DRM** - Universal Power Module 3 Dual Remote
- RM** - Remote Wall Mount
- DRM** - Dual Remote Wall Mount



PM3RM & PM3DRM



RM & DRM



ACV Valve (Interior View)

IMPORTANT SAFETY INFORMATION - READ, FOLLOW, AND SAVE THESE INSTALLATION INSTRUCTIONS

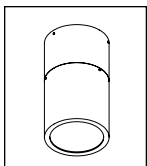
B-K LIGHTING

40429 Brickyard Drive • Madera, CA 93636 • USA
559.438.5800 • FAX 559.438.5900
www.bklighting.com • info@bklighting.com

RELEASE DATE
02/06/2024

REFERENCE NUMBER
INS-2321-00

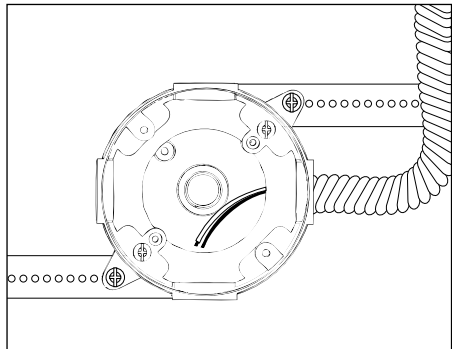
THIS DOCUMENT CONTAINS PROPRIETARY INFORMATION OF B-K LIGHTING, INC. AND ITS RECEIPT OR POSSESSION DOES NOT CONVEY ANY RIGHTS TO REPRODUCE, DISCLOSE ITS CONTENTS, OR TO MANUFACTURE, USE OR SELL ANYTHING IT MAY DESCRIBE. REPRODUCTION, DISCLOSURE OR USE WITHOUT SPECIFIC WRITTEN AUTHORIZATION OF B-K LIGHTING, INC. IS STRICTLY FORBIDDEN.



Standard Installation

Phase 1 - Rough In

Installation of Back box

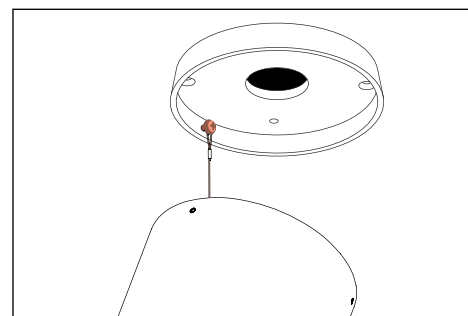
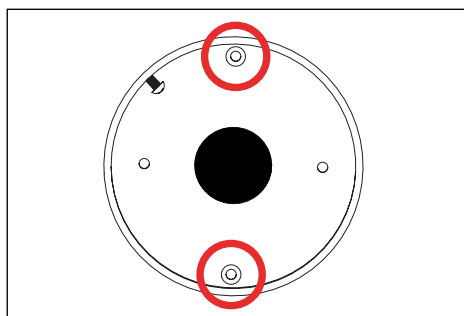
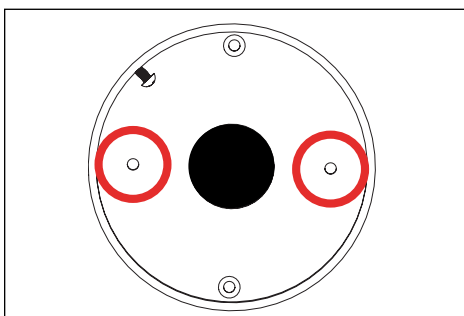


Additional Info

- Please follow National and Local electrical codes for your area.
- Use 4" round cast box.
- Suitable for through wire.
- Suitable for installation into combustible materials.
- Rated for 90° C.
- Junction box, universal mounting ring screws, box mounting hardware and gaskets.

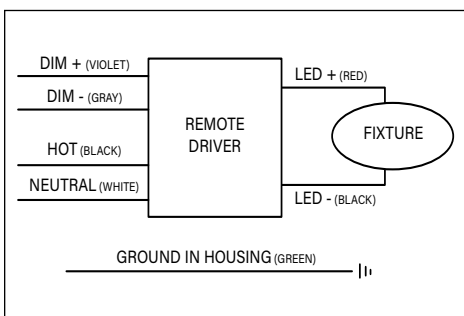
1. Install conduit (not included) to be used with this product.
2. Install junction box so that front face is flush with finished ceiling. Seal building envelope as per NEC.
3. Connect box to conduit and pull wires for connections (**See wiring diagram**).

Phase 2 - Finish Installation of Fixture

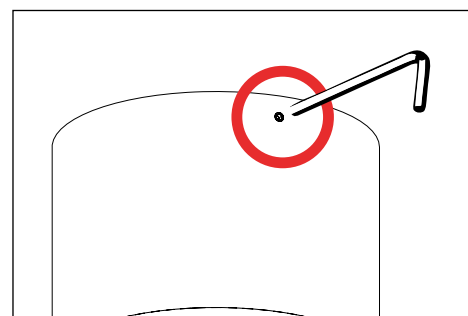
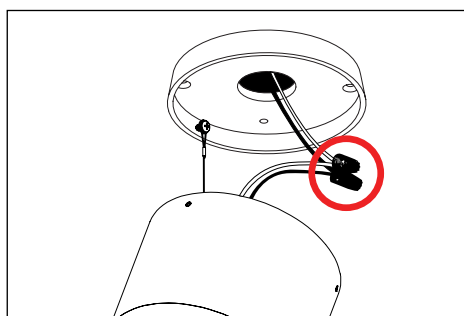


1. There are two holes for junction box mounting in mounting plate. Install mounting plate to junction box with mounting hardware (hardware's not included).
2. There are two holes for mounting the mounting plate to substrate. Secure mounting plate to substrate with mounting hardware appropriate for substrate material (hardware's not included). Seal building envelope as per NEC.
3. Slowly lower the fixture until tether is taut.

⚠ NOTE: Installation tether supplied is designed as an installation aid and NOT a safety cable. Do not add weight to, or drop fixture.



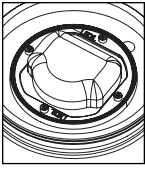
WIRING DIAGRAM



4. Pull remote wiring through mounting plate. Make watertight connections from remote driver secondary side to fixture leads using waterproof wire connectors. **See wiring diagram.**
5. Place connections through wireway into junction box. Mount fixture over mounting plate, then secure with three (3) #10-32 screws using a 3/32" allen wrench. **Do not overtighten.**

**IMPORTANT SAFETY INFORMATION LISTED ON REVERSE
READ, FOLLOW, AND SAVE ALL SAFETY AND INSTALLATION INSTRUCTIONS**





Replacement

LED BOARD/OPTICS WALL WASH



Flammable



Warning



High Voltage

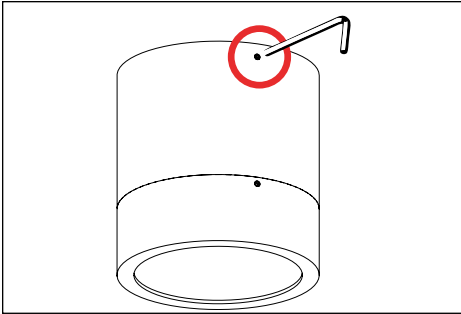


Hot Surface

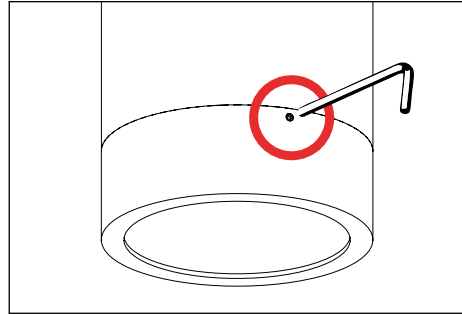
TOOLS NEEDED:

- 7/64", 3/32" & 0.050" Allen Wrench
- Small Pick Tool
- Thermal Paste (included)

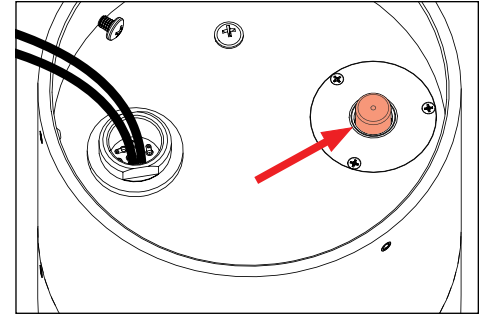
To Replace Components



1. Loosen three (3) #10-32 set screws on base with a 3/32" allen wrench. Retain screws in fixture. Gently slide down fixture from mounting base to access ACV™ valve. Do not pull on install tether or leads.

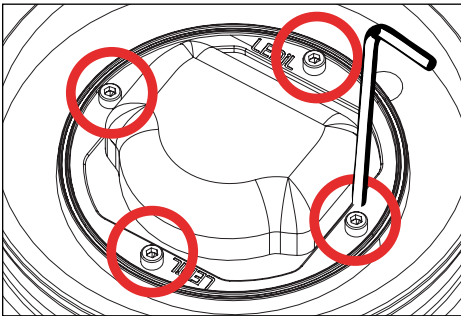


2. Loosen three (3) #10-32 set screws on cap with a 3/32" allen wrench. Retain screws in cap.

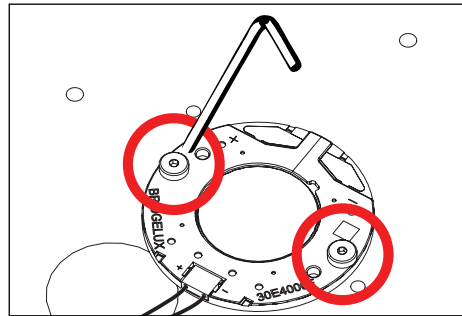


3. Press patented Anti-Condensation Valve (ACV™) to release vacuum created inside the fixture during normal use. The valve is spring-loaded, by depressing it, air is allowed to re-enter the chamber and the pressure is then equalized. When the air-pressure equalizes the cap will release from body to allow service.

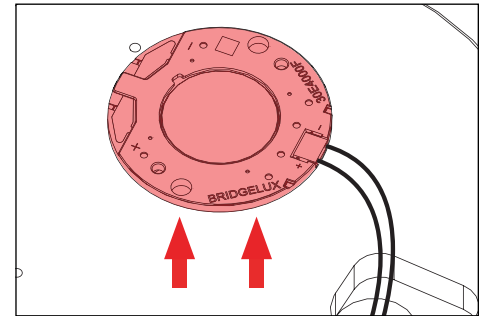
⚠ NOTE: Installation tether supplied is designed as an installation aid and NOT a safety cable. Do not add weight to, or drop fixture.



4. Loosen four (4) #6-32 screws on wall wash optic holder using a 7/64" allen wrench, then gently pull away to remove from heatsink.

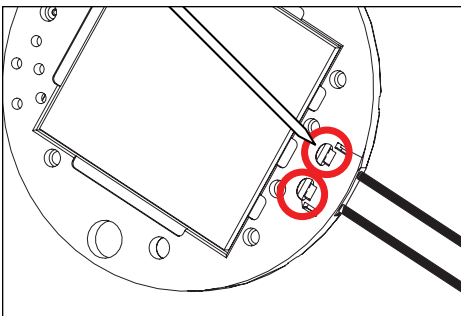


5. Loosen, then remove two (2) #4-40 screws from LED module using a 0.050" allen wrench.

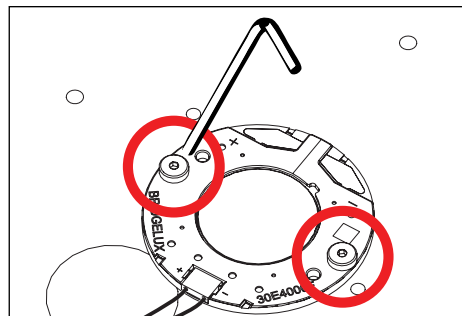


6. Carefully remove LED module from heatsink.

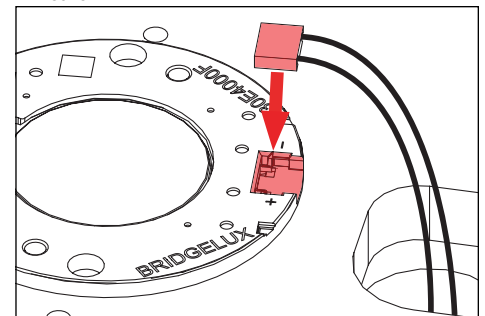
⚠ Do not pull on connector or wiring. Handle with care.



7. Use small pick tool to push connector off LED board through two small slots behind connector. Once loose, lift connector upwards and off board.



8. Spread thin, even layer of thermal paste on back of new LED module. Place new LED module onto heatsink, lining up module with holes for screws. Tighten two (2) #4-40 screws using a 0.050" allen wrench to secure LED module to heatsink.



9. Place new LED module onto heatsink, lining up module with holes for screws. Press connector straight downwards into slot on module to snap into place.

⚠ Fragile! Do not pull on connector or wiring. Handle with care.

⚠ Connector will only fit in one direction.

IMPORTANT SAFETY INFORMATION - READ, FOLLOW, AND SAVE THESE INSTALLATION INSTRUCTIONS

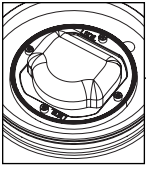
B-K LIGHTING

40429 Brickyard Drive • Madera, CA 93636 • USA
559.438.5800 • FAX 559.438.5900
www.bklighting.com • info@bklighting.com

RELEASE DATE
02/06/2024

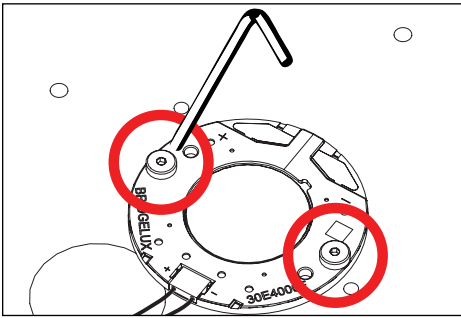
REFERENCE NUMBER
INS-2321-02

THIS DOCUMENT CONTAINS PROPRIETARY INFORMATION OF B-K LIGHTING, INC. AND ITS RECEIPT OR POSSESSION DOES NOT CONVEY ANY RIGHTS TO REPRODUCE, DISCLOSE ITS CONTENTS, OR TO MANUFACTURE, USE OR SELL ANYTHING IT MAY DESCRIBE. REPRODUCTION, DISCLOSURE OR USE WITHOUT SPECIFIC WRITTEN AUTHORIZATION OF B-K LIGHTING, INC. IS STRICTLY FORBIDDEN.

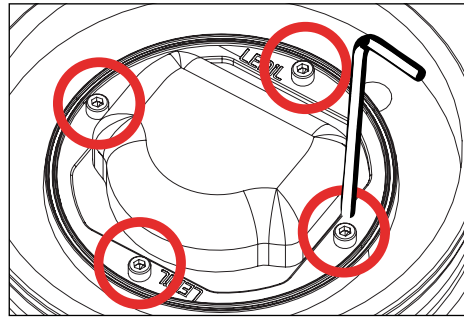


Replacement

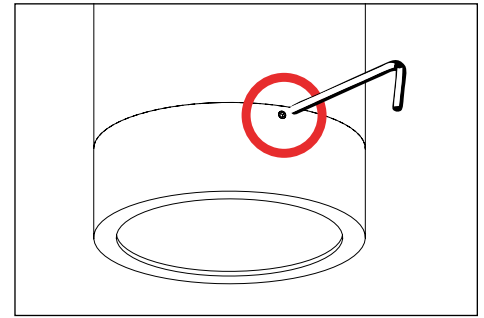
LED BOARD/OPTICS WALL WASH



10. Tighten two (2) #4-40 screws using a .050" allen wrench to secure LED module to heatsink.

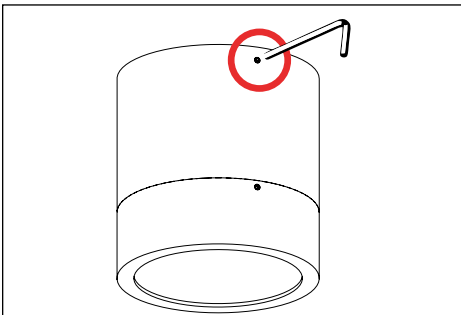


11. Place wall wash optic over LED module, lining up screw locations with holes in heatsink. Secure wall wash optic to heatsink with four (4) #6-32 screws using a 7/64" allen wrench.



12. Place cap on fixture and tighten three (3) #10-32 set screws using a 3/32" allen wrench. Tighten screw to 1/2in-lbs. Top of screw should sit flush with fixture cap.

⚠ Warning: Do not over tighten set screw. Doing so will compromise o-ring seal and will void warranty.



13. Place connections through wireway into junction box. Mount fixture over mounting plate, then secure with three (3) #10-32 screws using a 3/32" allen wrench. **Do not overtighten.**

**IMPORTANT SAFETY INFORMATION LISTED ON REVERSE
READ, FOLLOW, AND SAVE ALL SAFETY AND INSTALLATION INSTRUCTIONS**

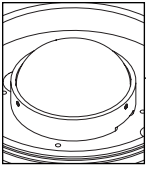


B-K LIGHTING

40429 Brickyard Drive • Madera, CA 93636 • USA
559.438.5800 • FAX 559.438.5900
www.bklighting.com • info@bklighting.com

RELEASE DATE
02/06/2024

REFERENCE NUMBER
INS-2321-02



Replacement

LED BOARD/OPTICS

DOME LENS



Flammable



Warning



High Voltage

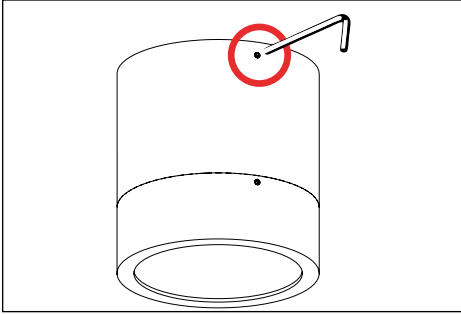


Hot Surface

TOOLS NEEDED:

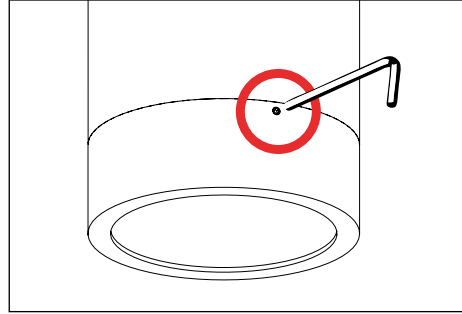
- 5/32", 0.050" & 1/16" Allen Wrench
- Small Pick Tool
- Thermal Paste (Included)

To Replace Components

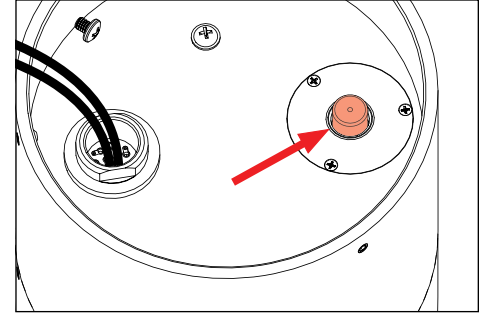


- Loosen (3) #10-32 set screws on base with a 3/32" allen wrench. Retain screws in fixture. Gently slide down fixture from mounting base to access ACV™ valve. **Do not pull on install tether or leads.**

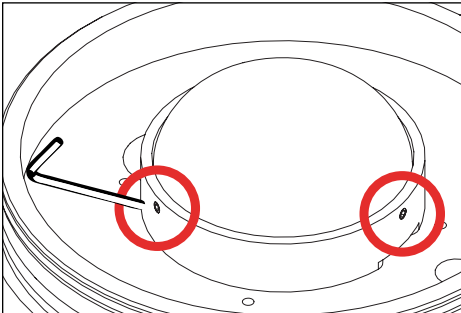
⚠ NOTE: Installation tether supplied is designed as an installation aid and NOT a safety cable. Do not add weight to, or drop fixture.



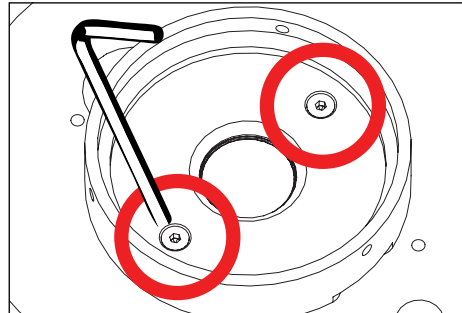
- Loosen (3) #10-32 set screws on cap with a 3/32" allen wrench. Retain screws in cap.



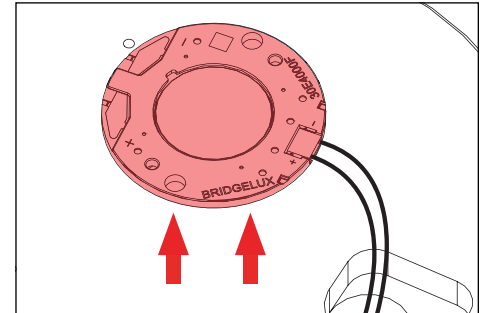
- Press patented Anti-Condensation Valve (ACV™) to release vacuum created inside the fixture during normal use. The valve is spring-loaded, by depressing it, air is allowed to re-enter the chamber and the pressure is then equalized. When the air-pressure equalizes the cap will release from body to allow service.



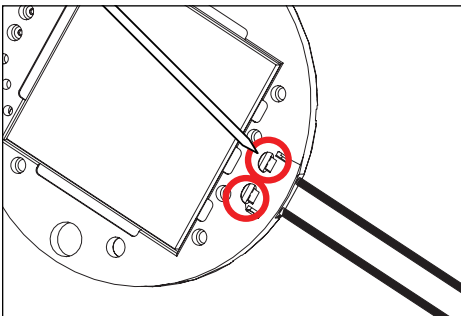
- Loosen three (3) #6-32 set screws on side of dome lens holder using a 1/16" allen wrench. Gently remove dome lens.



- Loosen two (2) #4-40 flat head screws with a 1/16" allen wrench. Gently pull optic holder off heatsink, being careful not to pull LED module along with it.

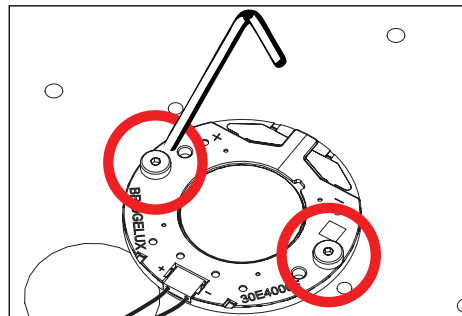


- Carefully remove LED module from heatsink.
- ⚠ Do not pull on connector or wiring. Handle with care.**

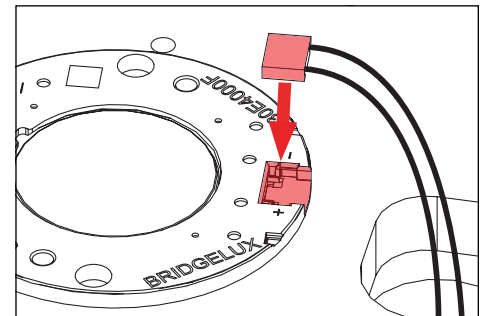


- Use small pick tool to push connector off LED board through two small slots behind connector. Once loose, lift connector upwards and off board.

⚠ Fragile! Do not pull on connector or wiring. Handle with care.



- Spread thin, even layer of thermal paste on back of new LED module. Place new LED module onto heatsink, lining up module with holes for screws. Tighten two (2) #4-40 screws using a .050" allen wrench to secure LED module to heatsink.



- Place new LED module onto heatsink, lining up module with holes for screws. Press connector straight downwards into slot on module to snap into place.

⚠ Connector will only fit in one direction.

IMPORTANT SAFETY INFORMATION - READ, FOLLOW, AND SAVE THESE INSTALLATION INSTRUCTIONS

B-K LIGHTING

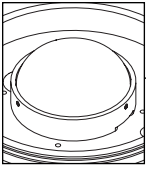
40429 Brickyard Drive • Madera, CA 93636 • USA
 559.438.5800 • FAX 559.438.5900
 www.bklighting.com • info@bklighting.com

RELEASE DATE
02/06/2024

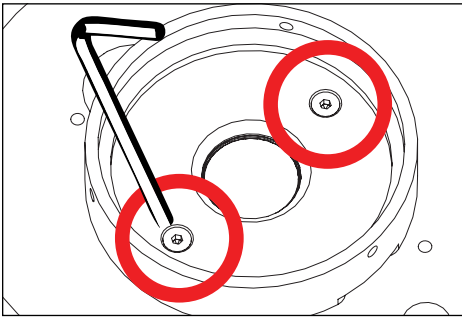
REFERENCE NUMBER
INS-2321-03

LED BOARD/OPTICS

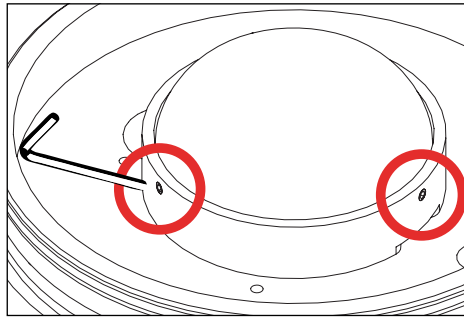
DOME LENS



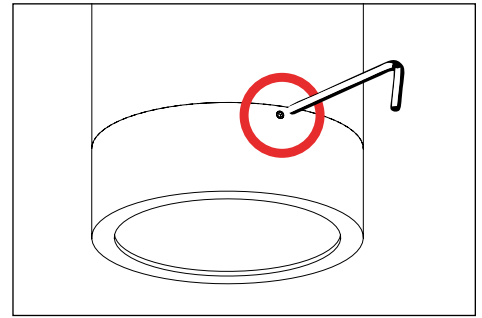
Replacement



10. Tighten two (2) #4-40 flat head screws using a 1/16" allen wrench to secure LED module and optic holder to heatsink.

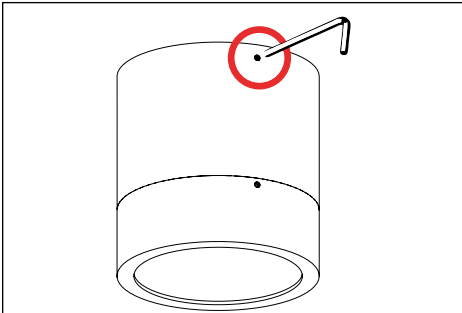


11. Place dome lens into optic holder. Tighten three (3) #6-32 set screws on side of dome lens optic holder using a 1/16" allen wrench.



12. Place cap on fixture and tighten three (3) #10-32 set screws with a 3/32" allen wrench. Tighten screw to 1/2 in-lbs. Top of screw should sit flush with fixture cap.

⚠ Warning: Do not over tighten set screw. Doing so will compromise o-ring seal and will void warranty.



13. Place connections through wireway into junction box. Mount fixture over mounting plate, then secure with three (3) #10-32 screws using a 3/32" allen wrench. **Do not overtighten.**

**IMPORTANT SAFETY INFORMATION LISTED ON REVERSE
READ, FOLLOW, AND SAVE ALL SAFETY AND INSTALLATION INSTRUCTIONS**



B-K LIGHTING

40429 Brickyard Drive • Madera, CA 93636 • USA
559.438.5800 • FAX 559.438.5900
www.bklighting.com • info@bklighting.com

RELEASE DATE
02/06/2024

REFERENCE NUMBER
INS-2321-03