

SQUARE DELTA STAR LED

Standard Installation



Flammable



Warning



Low Voltage



Hot Surface

TOOLS NEEDED:



5/32" & 5/64" Allen Wrench



Waterproof Wire Connectors

INSTRUCTIONS PERTAINING TO A RISK OF FIRE, OR INJURY TO PERSONS IMPORTANT SAFETY INSTRUCTIONS

Lighted fixture is HOT!

WARNING - To reduce the risk of FIRE OR INJURY TO PERSONS:

Turn off/unplug and allow to cool before replacing lamp/LED. Fixture gets HOT quickly! Contact only switch/plug when turning on. Do not touch hot lens, guard, or enclosure. Keep fixture away from materials that may burn. Do not operate the luminaire fitting with a missing or damaged shield. Do not touch the source at any time. Use a soft cloth or gloves. Oil from skin may cause damage.

SAVE THESE INSTRUCTIONS

IMPORTANT SAFETY INFORMATION - READ, FOLLOW, AND SAVE ALL SAFETY AND INSTALLATION INSTRUCTIONS

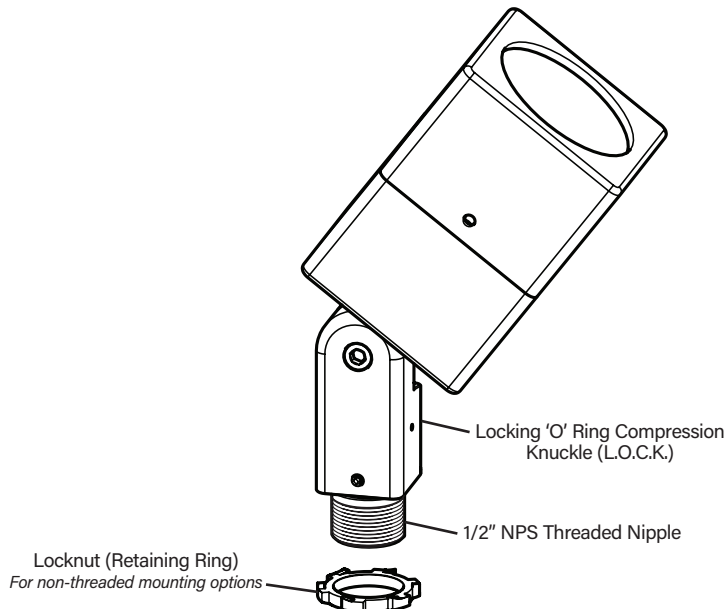
- Product must be installed by a qualified person in a manner consistent with its intended use and in compliance with the National Electrical Code, Canadian Electrical Code, and all Local and Provincial Codes.
- Follow product label information and instructions.
- Qualified Personnel with appropriate personal protective equipment must perform all servicing of this product.
- Before wiring to power supply and during servicing, turn off and lock out power at fuse or circuit breaker before service.
- The use of accessory equipment not recommended by the manufacturer or installed contrary to instructions may cause an unsafe condition. The use of damaged components may cause an unsafe condition and void product warranty.
- Do not block light emanating from product in whole or part, as this may cause an unsafe condition.
- Never operate the fixture with missing or damaged lens. Lens must be cleaned on regular basis.
- Entire fixture may become extremely hot. Do not touch hot lens or fixture body.
- Replace LED assembly only with correct wattage and type of power supply appropriate for LED assembly.
- All gaskets, o-rings and sealing surfaces must be kept clean during installation and service; failure to do this may cause an unsafe condition and void product warranty.

IMPORTANT LISTINGS AND CERTIFICATIONS

- Suitable for wet locations • Additionally suitable for mounting within 4 ft. of the ground

Please refer to the low voltage design guide at "<https://www.bklighting.com/resources/>" before installation for proper wire selection.

SQ-DS - Square Delta Star



IMPORTANT SAFETY INFORMATION - READ, FOLLOW, AND SAVE THESE INSTALLATION INSTRUCTIONS

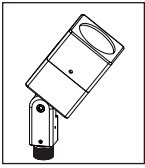
B-K LIGHTING

40429 Brickyard Drive • Madera, CA 93636 • USA
559.438.5800 • FAX 559.438.5900
www.bklighting.com • info@bklighting.com

RELEASE DATE
06/26/2023

REFERENCE NUMBER
INS-2821-00

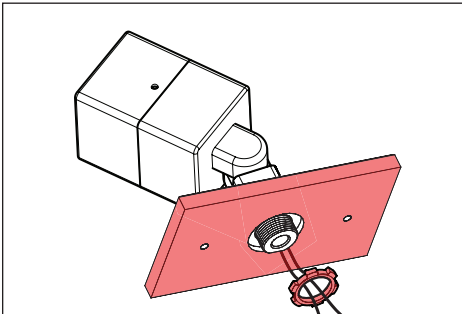
THIS DOCUMENT CONTAINS PROPRIETARY INFORMATION OF B-K LIGHTING, INC. AND ITS RECEIPT OR POSSESSION DOES NOT CONVEY ANY RIGHTS TO REPRODUCE, DISCLOSE ITS CONTENTS, OR TO MANUFACTURE, USE OR SELL ANYTHING IT MAY DESCRIBE. REPRODUCTION, DISCLOSURE OR USE WITHOUT SPECIFIC WRITTEN AUTHORIZATION OF B-K LIGHTING, INC. IS STRICTLY FORBIDDEN.



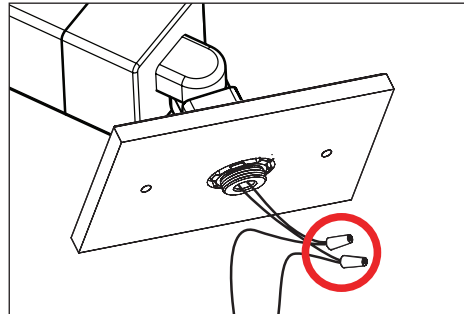
SQUARE DELTA STAR LED

Standard Installation

Fixture Installation with Standard Knuckle

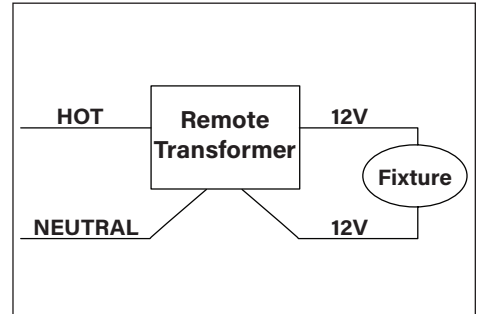


1. Mount knuckle onto suitable enclosure according to designed lighting plan.
2. Secure 1/2" NPS stem to mounting option. Secure with provided locknut if applicable.



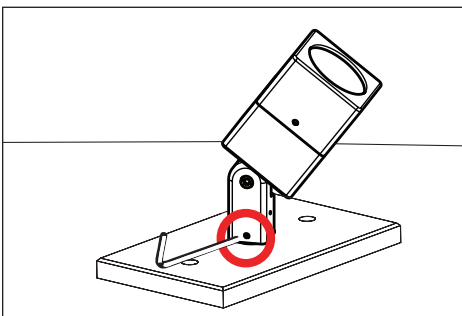
3. Make watertight connections from remote transformer to fixture leads using waterproof wire connectors. See wiring diagram.

⚠ Failure to use waterproof wire connectors will cause fixture to fail and VOID PRODUCT WARRANTY.



WIRING DIAGRAM

⚠ LED - For use with 12VAC LED remote transformer or magnetic transformers only. B-K Lighting cannot guarantee performance with third party manufacturers' transformers.



4. Use a 5/32" allen wrench to slightly loosen #10-32 stainless steel black oxide socket head cap screw at the knuckle for aiming purposes. Tighten to secure desired location.

**IMPORTANT SAFETY INFORMATION LISTED ON REVERSE
READ, FOLLOW, AND SAVE ALL SAFETY AND INSTALLATION INSTRUCTIONS**

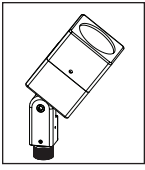


B-K LIGHTING

40429 Brickyard Drive • Madera, CA 93636 • USA
559.438.5800 • FAX 559.438.5900
www.bklighting.com • info@bklighting.com

RELEASE DATE
06/26/2023

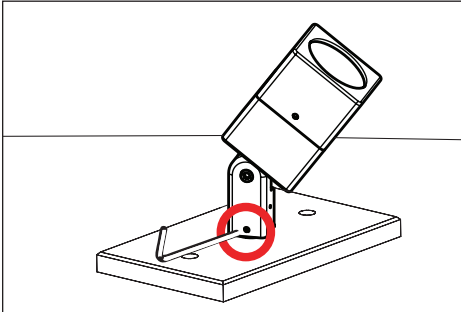
REFERENCE NUMBER
INS-2821-00



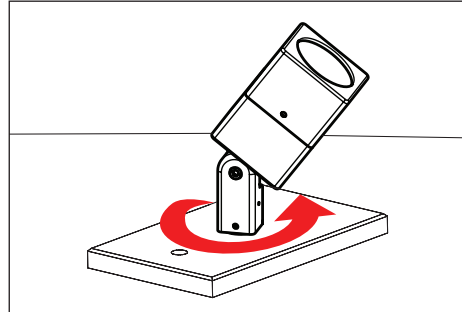
Standard Installation

SQUARE DELTA STAR LED

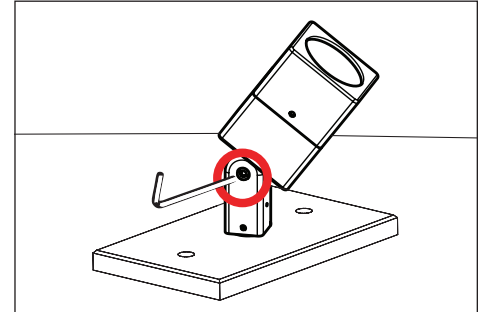
360SL Knuckle



1. Use a 5/64" allen wrench to slightly loosen two (2) #8-32 stainless steel set screws on the stem for 360° aiming purpose.



2. Rotate fixture at base and aim fixture to desired horizontal location.



3. Use a 5/32" allen wrench to loosen #10-32 stainless steel black oxide socket head cap screw at the knuckle for vertical aiming purpose.

4. Tighten two (2) #8-32 stainless steel set screws on stem to secure horizontal aiming position.

5. Tighten #10-32 stainless steel black oxide socket head cap screw to 15 in-lbs minimum to 30 in-lbs maximum to secure vertical aiming position.

⚠ Warning: Do not over tighten set screw. Doing so will compromise o-ring seal and will void warranty. Cap should be able to rotate without force.

**IMPORTANT SAFETY INFORMATION LISTED ON REVERSE
READ, FOLLOW, AND SAVE ALL SAFETY AND INSTALLATION INSTRUCTIONS**



B-K LIGHTING

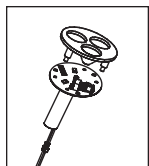
40429 Brickyard Drive • Madera, CA 93636 • USA
559.438.5800 • FAX 559.438.5900
www.bklighting.com • info@bklighting.com

RELEASE DATE
06/26/2023

REFERENCE NUMBER
INS-2821-00

LED BOARD/DRIVER/OPTICS

2-1/4" X 2 1/4" BODY SIZE



Replacement Instructions



Flammable



Warning



Low Voltage



Hot Surface

TOOLS NEEDED:

- 5/64" Allen Wrench
- Small Flat Head Screwdriver

INSTRUCTIONS PERTAINING TO A RISK OF FIRE, OR INJURY TO PERSONS IMPORTANT SAFETY INSTRUCTIONS

Lighted fixture is HOT!

WARNING - To reduce the risk of FIRE OR INJURY TO PERSONS:

Turn off/unplug and allow to cool before replacing lamp/LED. Fixture gets HOT quickly! Contact only switch/plug when turning on. Do not touch hot lens, guard, or enclosure. Keep fixture away from materials that may burn. Do not operate the luminaire fitting with a missing or damaged shield. Do not touch the source at any time. Use a soft cloth or gloves. Oil from skin may cause damage.

SAVE THESE INSTRUCTIONS

IMPORTANT SAFETY INFORMATION - READ, FOLLOW, AND SAVE ALL SAFETY AND INSTALLATION INSTRUCTIONS

- Product must be installed by a qualified person in a manner consistent with its intended use and in compliance with the National Electrical Code, Canadian Electrical Code, and all Local and Provincial Codes.
- Follow product label information and instructions.
- Qualified Personnel with appropriate personal protective equipment must perform all servicing of this product.
- Before wiring to power supply and during servicing, turn off and lock out power at fuse or circuit breaker before service.
- The use of accessory equipment not recommended by the manufacturer or installed contrary to instructions may cause an unsafe condition. The use of damaged components may cause an unsafe condition and void product warranty.
- Do not block light emanating from product in whole or part, as this may cause an unsafe condition.
- Never operate the fixture with missing or damaged lens. Lens must be cleaned on regular basis.
- Entire fixture may become extremely hot. Do not touch hot lens or fixture body.
- Replace LED assembly only with correct wattage and type of power supply appropriate for LED assembly.
- All gaskets, o-rings and sealing surfaces must be kept clean during installation and service; failure to do this may cause an unsafe condition and void product warranty.

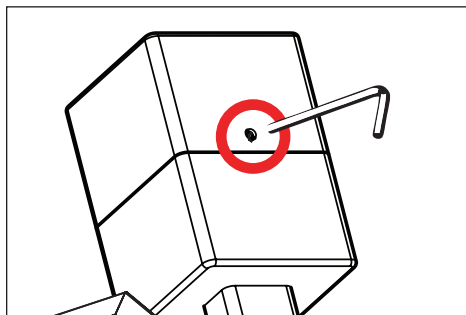
IMPORTANT LISTINGS AND CERTIFICATIONS



This product is available with Adjust-e-Lume (Patent Pend.) for Dynamic Lumen Output Control

Warning! The light output of this product may be dynamically adjusted as desired to raise and lower light levels. Please ensure the fixture is set to the appropriate light level desired during installation.

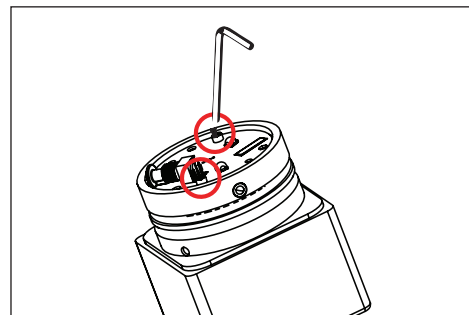
Replacing LED Board/Driver and Optics



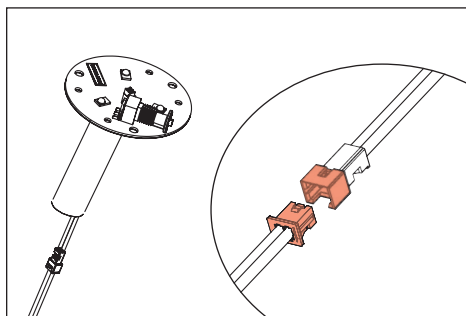
1. Use a 5/64" allen wrench to loosen #8-32 stainless set screw and remove cap.



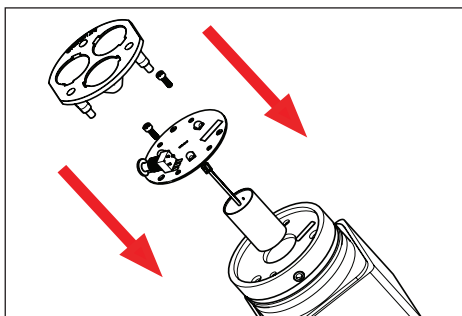
2. Space three fingers evenly around the optic and gently rock optic to remove.



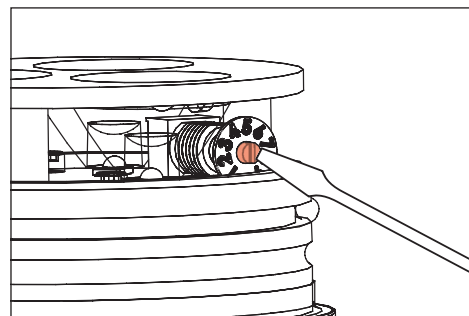
3. Use a 5/64" allen wrench to remove two (2) #2-56 socket head cap screws on LED board, grasp LED board and gently pull up to expose quick disconnect.



4. Disengage LED board and driver assembly. Replace with new board and driver assembly.



5. Reverse install LED board and driver by carefully engaging quick disconnects and inserting into fixture body. Secure LED board in place with stainless steel screws. Snap optics in place.



6. With flat head screw driver rotate dial to desired lumen output.

B-K LIGHTING

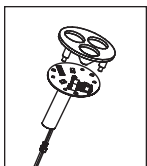
40429 Brickyard Drive • Madera, CA 93636 • USA
559.438.5800 • FAX 559.438.5900
www.bklighting.com • info@bklighting.com

RELEASE DATE
06/26/2023

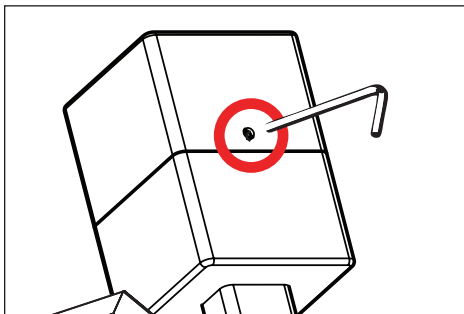
REFERENCE NUMBER
INS-2821-00

LED BOARD/DRIVER/OPTICS

2-1/4" X 2 1/4" BODY SIZE



Replacement Instructions



7. Place cap on fixture and securing #8-32 set screw with a 5/64 allen wrench. Tighten screw to 1/2 in-lbs. Top of screw should sit flush with fixture cap.

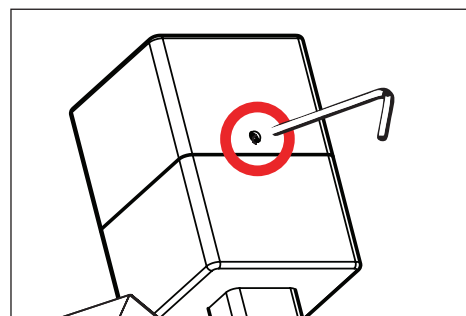
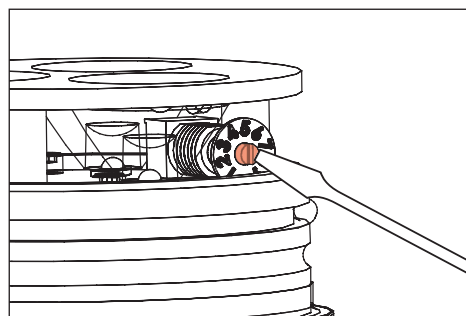
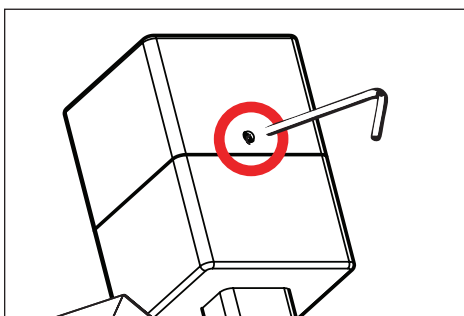
⚠ Warning: Do not over tighten set screw. Doing so will compromise o-ring seal and will void warranty. Cap should be able to rotate without force.



This product is available with Adjust-e-Lume® (Patent Pend.) for Dynamic Lumen Output Control

Warning! The light output of this product may be dynamically adjusted as desired to raise and lower light levels. Please ensure the fixture is set to the appropriate light level desired during installation.

To Change Lumen Output (When Required)



1. Use a 5/64" allen wrench to loosen #8-32 stainless set screw and remove cap.
2. With flat head screw driver rotate dial to desired lumen output.
3. Place cap on fixture and tighten set screw. Tighten screw to 1/2 in-lbs. Top of screw should sit flush with fixture cap.

⚠ Warning: Do not over tighten set screw. Doing so will compromise o-ring seal and will void warranty. Cap should be able to rotate without force.

**IMPORTANT SAFETY INFORMATION LISTED ON REVERSE
READ, FOLLOW, AND SAVE ALL SAFETY AND INSTALLATION INSTRUCTIONS**



B-K LIGHTING

40429 Brickyard Drive • Madera, CA 93636 • USA
559.438.5800 • FAX 559.438.5900
www.bklighting.com • info@bklighting.com

RELEASE DATE
06/26/2023

REFERENCE NUMBER
INS-2821-00