

Standard Installation

PM3D LED/COLOR TUNING INTEGRAL DRIVER HOUSING - SURFACE MOUNT



Flammable



Warning









High Voltage



Hot Surface

TOOLS NEEDED:

-  1/8" Allen Wrench
-  Waterproof Wire Connectors
-  Hammer
-  Phillips Screwdriver
-  1/4" Drill Bit and Drill
-  Mounting Hardware

INSTRUCTIONS PERTAINING TO A RISK OF FIRE, OR INJURY TO PERSONS IMPORTANT SAFETY INSTRUCTIONS

Lighted fixture is HOT!

WARNING - To reduce the risk of FIRE OR INJURY TO PERSONS:

Turn off/unplug and allow to cool before replacing lamp/LED. Fixture gets HOT quickly! Contact only switch/plug when turning on. Do not touch hot lens, guard, or enclosure. Keep fixture away from materials that may burn. Do not operate the luminaire fitting with a missing or damaged shield. Do not touch the source at any time. Use a soft cloth or gloves. Oil from skin may cause damage.

SAVE THESE INSTRUCTIONS

IMPORTANT SAFETY INFORMATION - READ, FOLLOW, AND SAVE ALL SAFETY AND INSTALLATION INSTRUCTIONS

- Product must be installed by a qualified person in a manner consistent with its intended use and in compliance with the National Electrical Code, Canadian Electrical Code, and all Local and Provincial Codes.
- Follow product label information and instructions.
- Qualified Personnel with appropriate personal protective equipment must perform all servicing of this product.
- Before wiring to power supply and during servicing, turn off and lock out power at fuse or circuit breaker before service.
- The use of accessory equipment not recommended by the manufacturer or installed contrary to instructions may cause an unsafe condition. The use of damaged components may cause an unsafe condition and void product warranty.
- Do not block light emanating from product in whole or part, as this may cause an unsafe condition.
- Never operate the fixture with missing or damaged lens. Lens must be cleaned on regular basis.
- Entire fixture may become extremely hot. Do not touch hot lens or fixture body.
- Replace LED assembly only with correct wattage and type of power supply appropriate for LED assembly.
- All gaskets, o-rings and sealing surfaces must be kept clean during installation and service; failure to do this may cause an unsafe condition and void product warranty.

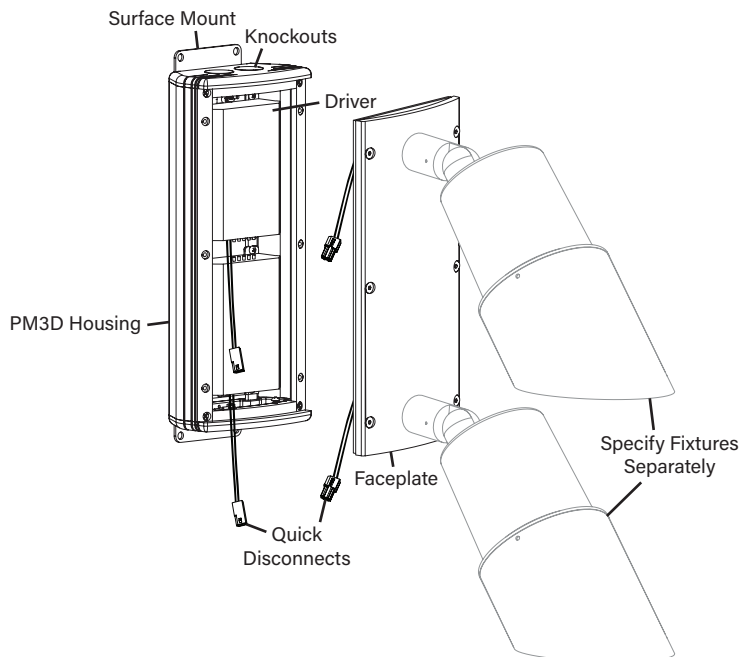
IMPORTANT LISTINGS AND CERTIFICATIONS

- Suitable for wet locations

This set of instructions works for:

K2-FL - K2 Floodlight
YO-FL - Yosemite Floodlight

LED and Color Tuning



* UPM is covered in whole or in part by US patent #6,940,012

IMPORTANT SAFETY INFORMATION - READ, FOLLOW, AND SAVE THESE INSTALLATION INSTRUCTIONS

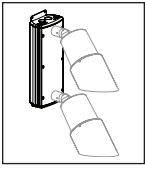
B-K LIGHTING

40429 Brickyard Drive • Madera, CA 93636 • USA
559.438.5800 • FAX 559.438.5900
www.bklighting.com • info@bklighting.com

RELEASE DATE
05/22/2023

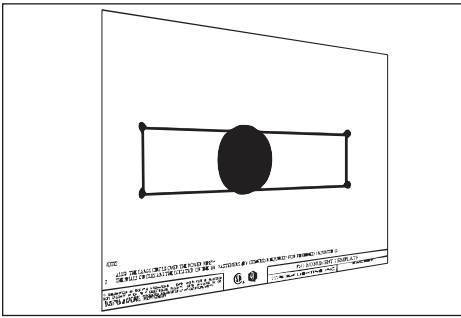
REFERENCE NUMBER
INS-2186-00

THIS DOCUMENT CONTAINS PROPRIETARY INFORMATION OF B-K LIGHTING, INC. AND ITS RECEIPT OR POSSESSION DOES NOT CONVEY ANY RIGHTS TO REPRODUCE, DISCLOSE ITS CONTENTS, OR TO MANUFACTURE, USE OR SELL ANYTHING IT MAY DESCRIBE. REPRODUCTION, DISCLOSURE OR USE WITHOUT SPECIFIC WRITTEN AUTHORIZATION OF B-K LIGHTING, INC. IS STRICTLY FORBIDDEN.

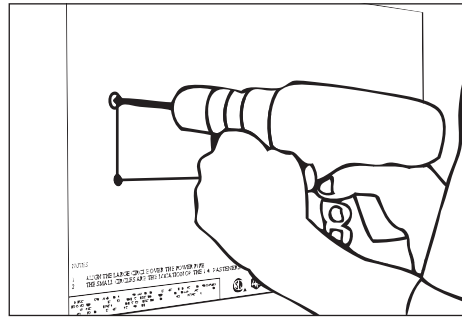


Standard Installation

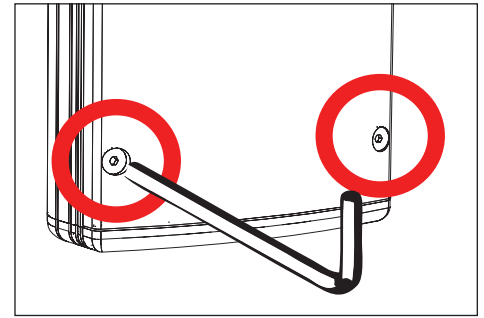
⚠️ iOS device (Not Included) with installed B-K Lighting Inspiration Application required for use.



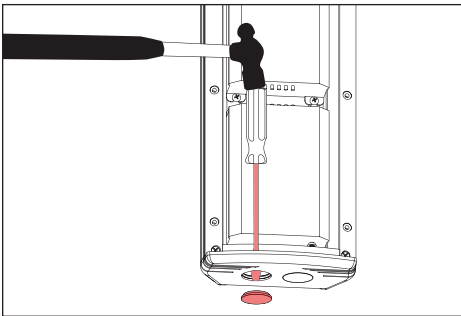
1. Place provided template in final mounting position according to designed lighting plan.



2. Drill holes into surface for 1/4" fasteners on locations illustrated on template.

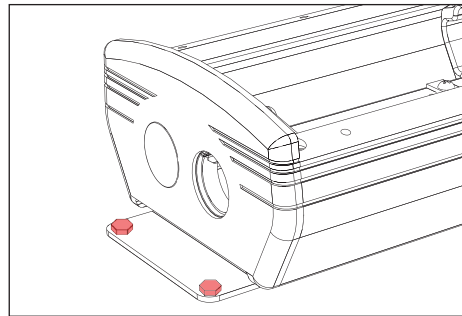


3. Loosen six (6) #10-24 captive screws using a 1/8" allen wrench and disconnect quick disconnect to remove faceplate of UPM housing.



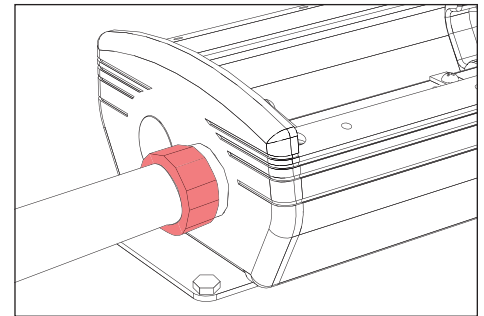
4. Remove patented knockout(s) as necessary from the inside of the UPM housing. Leave remaining unused knockouts in place to maintain seal.

⚠️ NOTE: Patented design featuring a silicone o-ring allowing knockout to be tapped back into place to renew seal integrity.



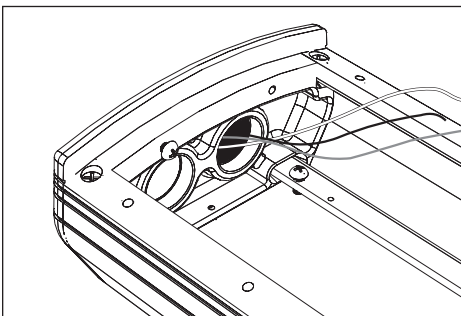
5. Attach the UPM housing at mounting brackets with 1/4" fasteners. Use suitable mounting hardware for surface.

⚠️ NOTE: Many methods exist to bolt to a flat surface. The fixture is provided with mounting brackets with 1/4" holes.

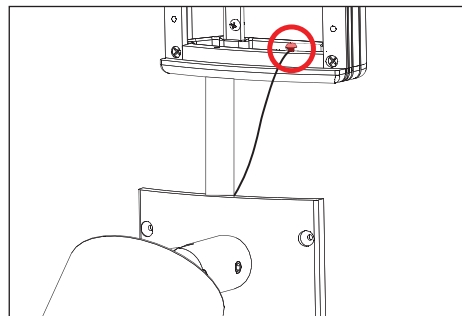


6. Connect 3/4" conduit connector through female threaded conduit entry.

⚠️ NOTE: Surface conduit is a common entrance for water if not properly sealed. Seal connector threads and conduit with a suitable sealant (teflon tape, adhesive, etc.). Sealing the conduit after knockouts are removed is required to maintain warranty.

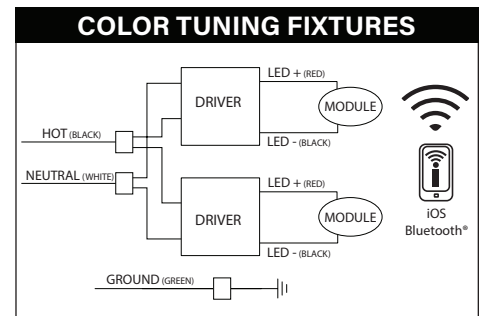


7. Pull branch circuit wiring necessary for installation.



8. Attach tether wire under screw head at the base of the UPM housing and tighten. Slowly lower the faceplate until tether is taut.

⚠️ NOTE: Faceplate tether supplied with UPM is designed as an installation aid and NOT a safety cable. Do not add weight to, or drop faceplate.



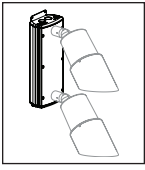
WIRING DIAGRAM - Wireless Bluetooth Controls with Inspiration Application on iOS device.

iOS device controls dimming, CCT, Saturation, and Hue using Bluetooth wireless controls and the application.

⚠️ iOS device must be within 5ft of fixture for wireless operation.

**IMPORTANT SAFETY INFORMATION LISTED ON REVERSE
READ, FOLLOW, AND SAVE ALL SAFETY AND INSTALLATION INSTRUCTIONS**



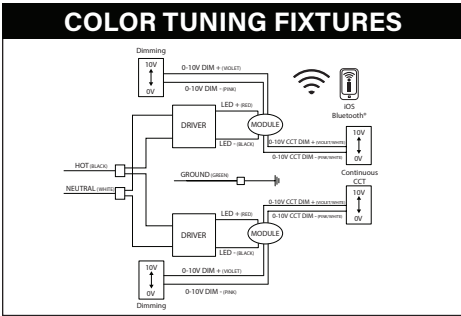


PM3D

LED/COLOR TUNING INTEGRAL DRIVER HOUSING - SURFACE MOUNT

Standard Installation

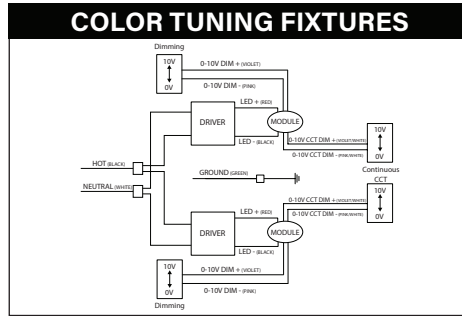
⚠️ iOS device (Not Included) with installed B-K Lighting Inspiration Application required for use.



WIRING DIAGRAM - Hybrid

Secondary wiring from remote driver connects to fixture leads. 0-10V dimming connects to module. 0-10V Continuous CCT connects to module. iOS device controls Saturation and Hue.

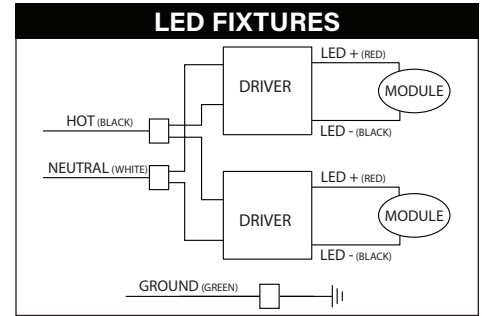
⚠️ iOS device must be within 5ft of fixture for wireless operation.



WIRING DIAGRAM - 0-10V Wired

Secondary wiring from remote driver connects to fixture leads. 0-10V dimming connects to module. 0-10V Continuous CCT connects to module and controls CCT.

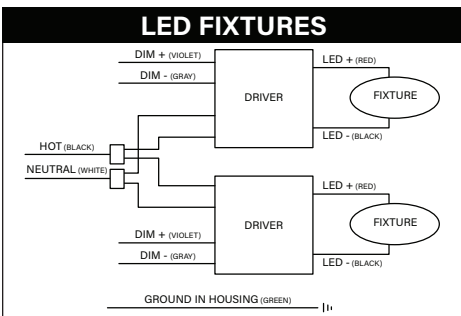
⚠️ iOS device must be within 5ft of fixture for wireless operation.



WIRING DIAGRAM - 010 Control Type

Use wire connectors (not included) to connect driver primary leads to branch circuit wires. Connect driver dimming leads to dimming wires. Connect incoming ground to ground wire provided in housing. **See wiring diagram.**

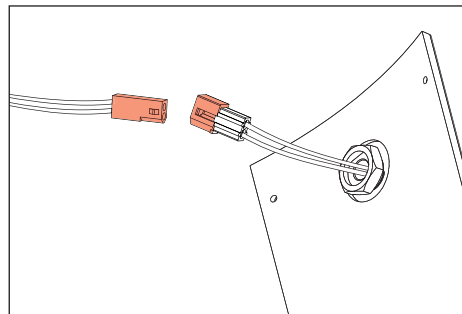
⚠️ Note: Driver and specified fixture are pre-installed to the UPM housing for your convenience.



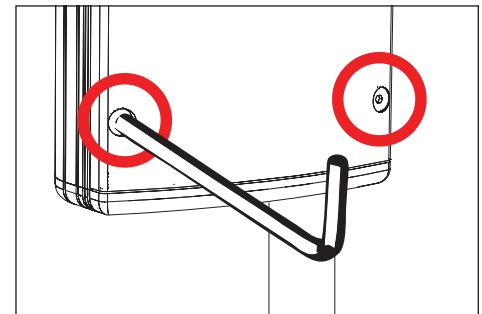
WIRING DIAGRAM - INC Control Type

Use wire connectors (not included) to connect driver primary leads to branch circuit wires. Connect incoming ground to ground wire provided in housing. **See wiring diagram.**

⚠️ Note: Driver and specified fixture are pre-installed to the UPM housing for your convenience.



9. Connect secondary leads from driver to lamp leads using pre-wired factory quick disconnect.



10. Make sure UPM housing gasket is free of any dirt or debris. Attach the faceplate by tightening the six (6) #10-24 captive screws evenly using a 1/8" allen wrench.

**IMPORTANT SAFETY INFORMATION LISTED ON REVERSE
READ, FOLLOW, AND SAVE ALL SAFETY AND INSTALLATION INSTRUCTIONS**

