

PM1, PM2, & PM3 SPLICE BOX - ROUND CAMLOCK

Standard Instructions



Flammable



Warning



Hot Surface

TOOLS NEEDED:



1/8" & 9/64" Allen Wrench



Waterproof Wire Connectors



Phillips Screwdriver



Level

INSTRUCTIONS PERTAINING TO A RISK OF FIRE, OR INJURY TO PERSONS IMPORTANT SAFETY INSTRUCTIONS

Lighted fixture is HOT!

WARNING - To reduce the risk of FIRE OR INJURY TO PERSONS:

Turn off/unplug and allow to cool before replacing lamp/LED. Fixture gets HOT quickly! Contact only switch/plug when turning on. Do not touch hot lens, guard, or enclosure. Keep fixture away from materials that may burn. Do not operate the luminaire fitting with a missing or damaged shield. Do not touch the source at any time. Use a soft cloth or gloves. Oil from skin may cause damage.

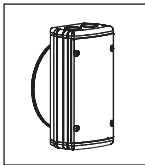
SAVE THESE INSTRUCTIONS

IMPORTANT SAFETY INFORMATION - READ, FOLLOW, AND SAVE ALL SAFETY AND INSTALLATION INSTRUCTIONS

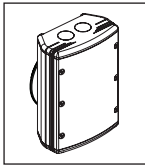
- Product must be installed by a qualified person in a manner consistent with its intended use and in compliance with the National Electrical Code, Canadian Electrical Code, and all Local and Provincial Codes.
- Follow product label information and instructions.
- Qualified Personnel with appropriate personal protective equipment must perform all servicing of this product.
- Before wiring to power supply and during servicing, turn off and lock out power at fuse or circuit breaker before service.
- The use of accessory equipment not recommended by the manufacturer or installed contrary to instructions may cause an unsafe condition. The use of damaged components may cause an unsafe condition and void product warranty.
- Do not block light emanating from product in whole or part, as this may cause an unsafe condition.
- Never operate the fixture with missing or damaged lens. Lens must be cleaned on regular basis.
- Entire fixture may become extremely hot. Do not touch hot lens or fixture body.
- Replace LED assembly only with correct wattage and type of power supply appropriate for LED assembly.
- All gaskets, o-rings and sealing surfaces must be kept clean during installation and service; failure to do this may cause an unsafe condition and void product warranty.

IMPORTANT LISTINGS AND CERTIFICATIONS

- Suitable for wet locations • Additionally suitable for mounting within 4 ft. of the ground

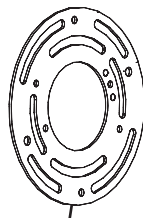


PM2

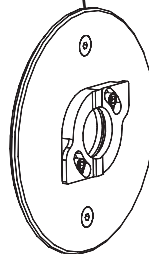


PM3

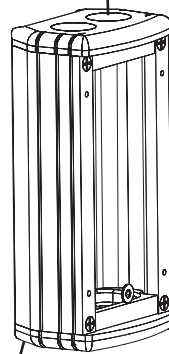
Round CamLock



Universal Mounting Ring

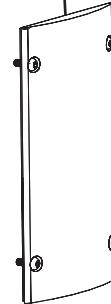


Knockouts



PM1 Housing

Faceplate



This set of instructions works for:

**PM1 SPLICE BOX
PM2 SPLICE BOX
PM3 SPLICE BOX**

*UPM is covered in whole or in part by US patent #6,940,012

IMPORTANT SAFETY INFORMATION - READ, FOLLOW, AND SAVE THESE INSTALLATION INSTRUCTIONS

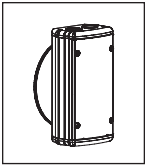
B-K LIGHTING

40429 Brickyard Drive • Madera, CA 93636 • USA
559.438.5800 • FAX 559.438.5900
www.bklighting.com • info@bklighting.com

RELEASE DATE
08/05/2024

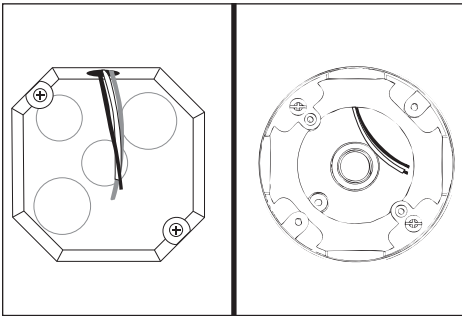
REFERENCE NUMBER
INS-2894-00

THIS DOCUMENT CONTAINS PROPRIETARY INFORMATION OF B-K LIGHTING, INC. AND ITS RECEIPT OR POSSESSION DOES NOT CONVEY ANY RIGHTS TO REPRODUCE, DISCLOSE ITS CONTENTS, OR TO MANUFACTURE, USE OR SELL ANYTHING IT MAY DESCRIBE. REPRODUCTION, DISCLOSURE OR USE WITHOUT SPECIFIC WRITTEN AUTHORIZATION OF B-K LIGHTING, INC. IS STRICTLY FORBIDDEN.

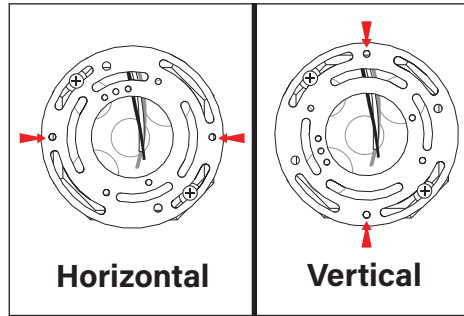


Standard Instructions

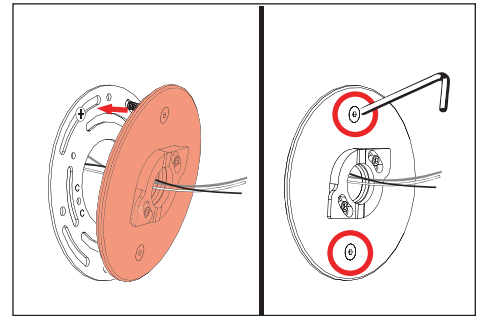
PM1, PM2, & PM3 SPLICE BOX - ROUND CAMLOCK



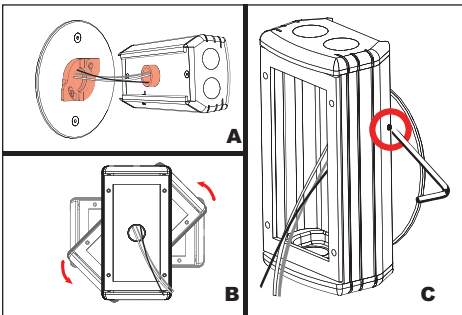
1. Install standard 4" octagonal/round recessed junction box in the final fixture location according to designed lighting plan.
2. Pull branch circuit wiring necessary for installation.



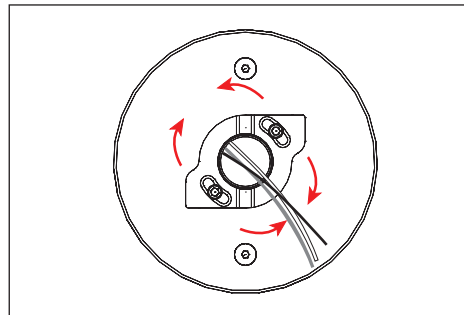
3. Install universal mounting ring.
- IMPORTANT!** Orientation of universal ring will affect orientation of UPM! Take note of mounting plate holes (indicated with arrows) on the universal ring holes to mount UPM in correct orientation.



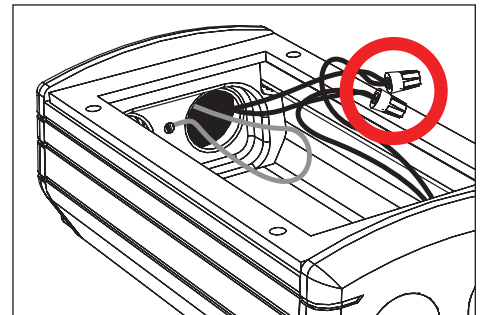
4. Feed branch circuit wiring through mounting plate with CamLock assembly. Attach mounting plate with supplied two (2) #10-24 stainless steel hex drive fasteners to universal ring using a 1/8" allen wrench.



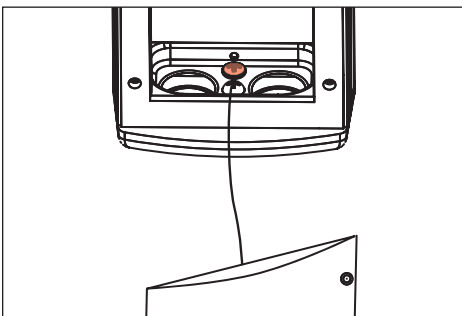
5. Feed branch circuit wiring into UPM housing. Install housing on CamLock at 90° to finished orientation as shown. (Figure A)
6. Rotate housing 90° counter-clockwise (Figure B). Tighten set screw with a 5/64" allen wrench on outside of UPM housing to lock in place. (Figure C)



7. If UPM housing is not level, remove UPM housing; loosen but **DO NOT REMOVE** (2) #8-32 screws with a 9/64" allen wrench on CamLock assembly. Adjust CamLock assembly up to 30° as needed to level. Tighten the screws and reattach UPM housing.

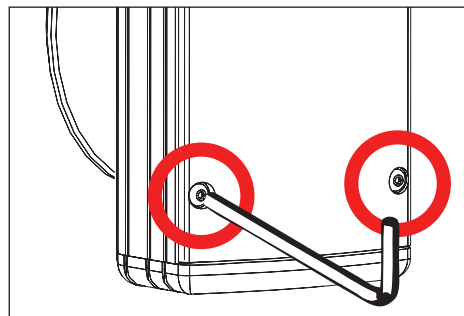


8. Pull branch circuit wiring necessary for installation.
9. Use waterproof wire connectors (not included) to connect primary leads to branch circuit wires. Connect incoming ground to ground wire provided in UPM housing.



10. Attach tether wire under screw head at the base of the UPM housing. Slowly lower the faceplate until tether is taut.

NOTE: Faceplate tether supplied with UPM is designed as an installation aid and NOT a safety cable. Do not add weight to, or drop faceplate.



11. Make sure UPM housing gasket is free of any dirt or debris. Attach the faceplate by tightening the four (4) #6-32 captive screws evenly using a 5/64" allen wrench.

**IMPORTANT SAFETY INFORMATION LISTED ON REVERSE
READ, FOLLOW, AND SAVE ALL SAFETY AND INSTALLATION INSTRUCTIONS**



B-K LIGHTING

40429 Brickyard Drive • Madera, CA 93636 • USA
559.438.5800 • FAX 559.438.5900
www.bklighting.com • info@bklighting.com

RELEASE DATE
08/05/2024

REFERENCE NUMBER
INS-2894-00