

### Standard Installation

# VERSA STAR/STEP STAR

CEILING RECESSED & WALL RECESSED - LINE VOLTAGE GU10



Flammable



Warning







Low Voltage



Hot Surface

#### TOOLS NEEDED:

-  5/64" Allen Wrench
-  Waterproof Wire Connectors
-  Drill with 2-1/2" Core Drill Bit
-  Mounting Hardware

### INSTRUCTIONS PERTAINING TO A RISK OF FIRE, OR INJURY TO PERSONS IMPORTANT SAFETY INSTRUCTIONS

#### Lighted fixture is HOT!

#### WARNING - To reduce the risk of FIRE OR INJURY TO PERSONS:

Turn off/unplug and allow to cool before replacing lamp/LED. Fixture gets HOT quickly! Contact only switch/plug when turning on. Do not touch hot lens, guard, or enclosure. Keep fixture away from materials that may burn. Do not operate the luminaire fitting with a missing or damaged shield. Do not touch the source at any time. Use a soft cloth or gloves. Oil from skin may cause damage.

**SAVE THESE INSTRUCTIONS**

### IMPORTANT SAFETY INFORMATION - READ, FOLLOW, AND SAVE ALL SAFETY AND INSTALLATION INSTRUCTIONS

- Product must be installed by a qualified person in a manner consistent with its intended use and in compliance with the National Electrical Code, Canadian Electrical Code, and all Local and Provincial Codes.
- Follow product label information and instructions.
- Qualified Personnel with appropriate personal protective equipment must perform all servicing of this product.
- Before wiring to power supply and during servicing, turn off and lock out power at fuse or circuit breaker before service.
- The use of accessory equipment not recommended by the manufacturer or installed contrary to instructions may cause an unsafe condition. The use of damaged components may cause an unsafe condition and void product warranty.
- Do not block light emanating from product in whole or part, as this may cause an unsafe condition.
- Never operate the fixture with missing or damaged lens. Lens must be cleaned on regular basis.
- Entire fixture may become extremely hot. Do not touch hot lens or fixture body.
- Replace LED assembly only with correct wattage and type of power supply appropriate for LED assembly.
- All gaskets, o-rings and sealing surfaces must be kept clean during installation and service; failure to do this may cause an unsafe condition and void product warranty.

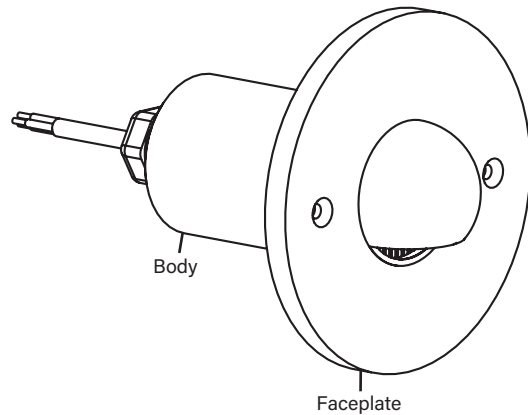
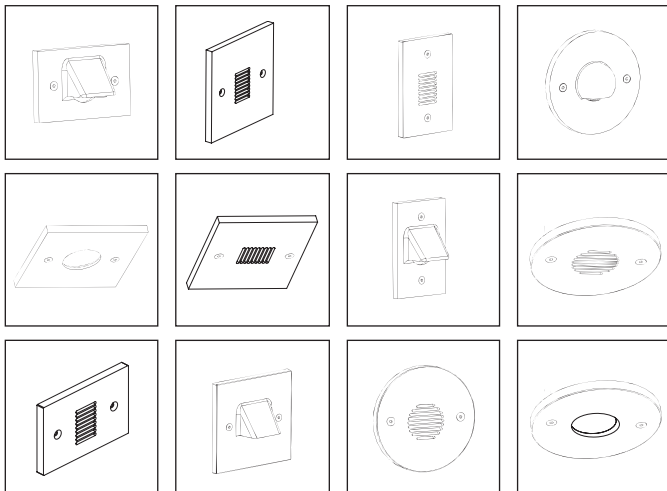
### IMPORTANT LISTINGS AND CERTIFICATIONS

- Suitable for wet location
- Additionally suitable for mounting within 4 ft. of the ground
- Type Non-IC

Please refer to the low voltage design guide at "<https://www.bklighting.com/resources/>" before installation for proper wire selection.

This set of instructions works for:

- SS-CR** - Versa Star Ceiling Recessed
- SS-WR** - Step Star Wall Recessed



### IMPORTANT SAFETY INFORMATION - READ, FOLLOW, AND SAVE THESE INSTALLATION INSTRUCTIONS

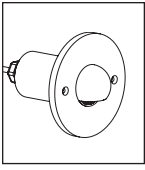
# B-K LIGHTING

40429 Brickyard Drive • Madera, CA 93636 • USA  
559.438.5800 • FAX 559.438.5900  
[www.bklighting.com](http://www.bklighting.com) • [info@bklighting.com](mailto:info@bklighting.com)

RELEASE DATE  
02/07/2024

REFERENCE NUMBER  
INS-1483-00

THIS DOCUMENT CONTAINS PROPRIETARY INFORMATION OF B-K LIGHTING, INC. AND ITS RECEIPT OR POSSESSION DOES NOT CONVEY ANY RIGHTS TO REPRODUCE, DISCLOSE ITS CONTENTS, OR TO MANUFACTURE, USE OR SELL ANYTHING IT MAY DESCRIBE. REPRODUCTION, DISCLOSURE OR USE WITHOUT SPECIFIC WRITTEN AUTHORIZATION OF B-K LIGHTING, INC. IS STRICTLY FORBIDDEN.

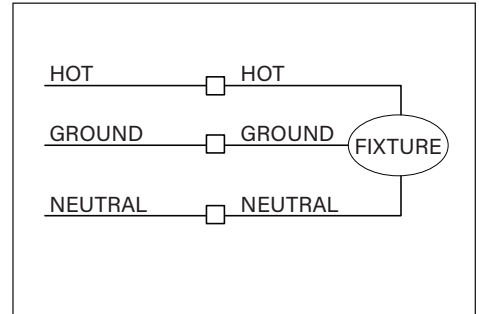
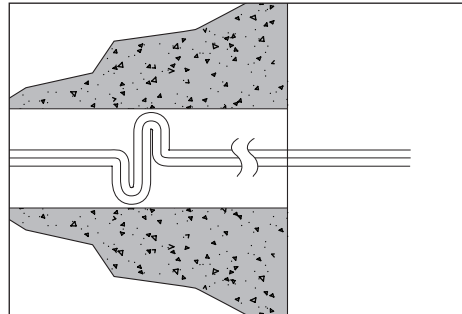
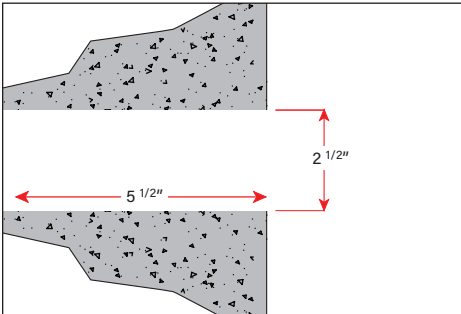


## Standard Installation

# CORE DRILL

LINE VOLTAGE GU10

### Fixture Installation



1. Core drill a 2 1/2" hole 5 1/2" deep into a non-combustible material.

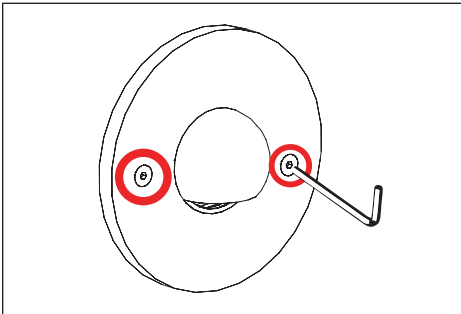
2. Pull branch circuit wiring.

#### WIRING DIAGRAM

**⚠ Note: Suitable for installation into non-combustible material.**

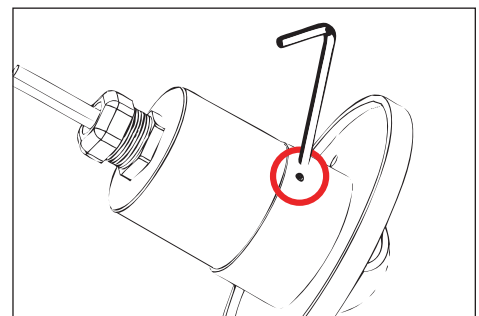
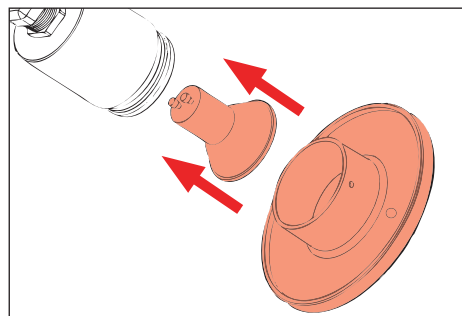
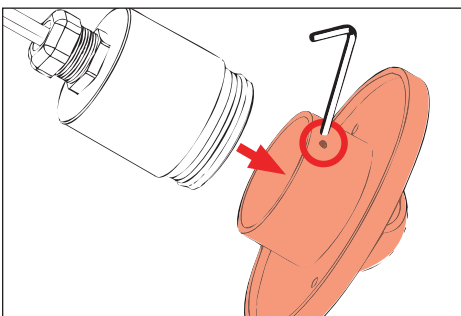
**⚠ Leave sufficient cable length for fixture service.**

3. Make three line voltage connections using proper wire connectors (not included). All line voltage connections must be made in compliance with the National Electrical Code. Failure to do so will void warranty.



4. Install fixture into core drilled hole and mount with two (2) #10 fasteners as required (mounting screws not included). Length and type of mounting screws will vary with construction material.

### Fixture Installation



1. Loosen 5/64" set screw to remove faceplate.

2. Install maximum 50W GU10 lamp.

3. Re-attach faceplate to core drill body and tighten set screw.

**⚠ Halogen Lamps Only. Do NOT exceed maximum wattage.**

**⚠ Do not over tighten!**

**IMPORTANT SAFETY INFORMATION LISTED ON REVERSE  
READ, FOLLOW, AND SAVE ALL SAFETY AND INSTALLATION INSTRUCTIONS**



# B-K LIGHTING

40429 Brickyard Drive • Madera, CA 93636 • USA  
559.438.5800 • FAX 559.438.5900  
www.bklighting.com • info@bklighting.com

RELEASE DATE  
02/07/2024

REFERENCE NUMBER  
INS-1483-00