

YUKON

WALL RECESSED - INDIRECT - INTEGRAL DRIVER

Standard Instructions



Flammable



Warning



High Voltage



Hot Surface

TOOLS NEEDED:

- 1/16" & 3/16" Allen Wrench
- 1/4" Drill Bit (Hand Held Drill)
- 7/8" or 1-1/8" Hole Saw

INSTRUCTIONS PERTAINING TO A RISK OF FIRE, OR INJURY TO PERSONS IMPORTANT SAFETY INSTRUCTIONS

Lighted fixture is HOT!

WARNING - To reduce the risk of FIRE OR INJURY TO PERSONS:

Turn off/unplug and allow to cool before replacing lamp/LED. Fixture gets HOT quickly! Contact only switch/plug when turning on. Do not touch hot lens, guard, or enclosure. Keep fixture away from materials that may burn. Do not operate the luminaire fitting with a missing or damaged shield. Do not touch the source at any time. Use a soft cloth or gloves. Oil from skin may cause damage.

SAVE THESE INSTRUCTIONS

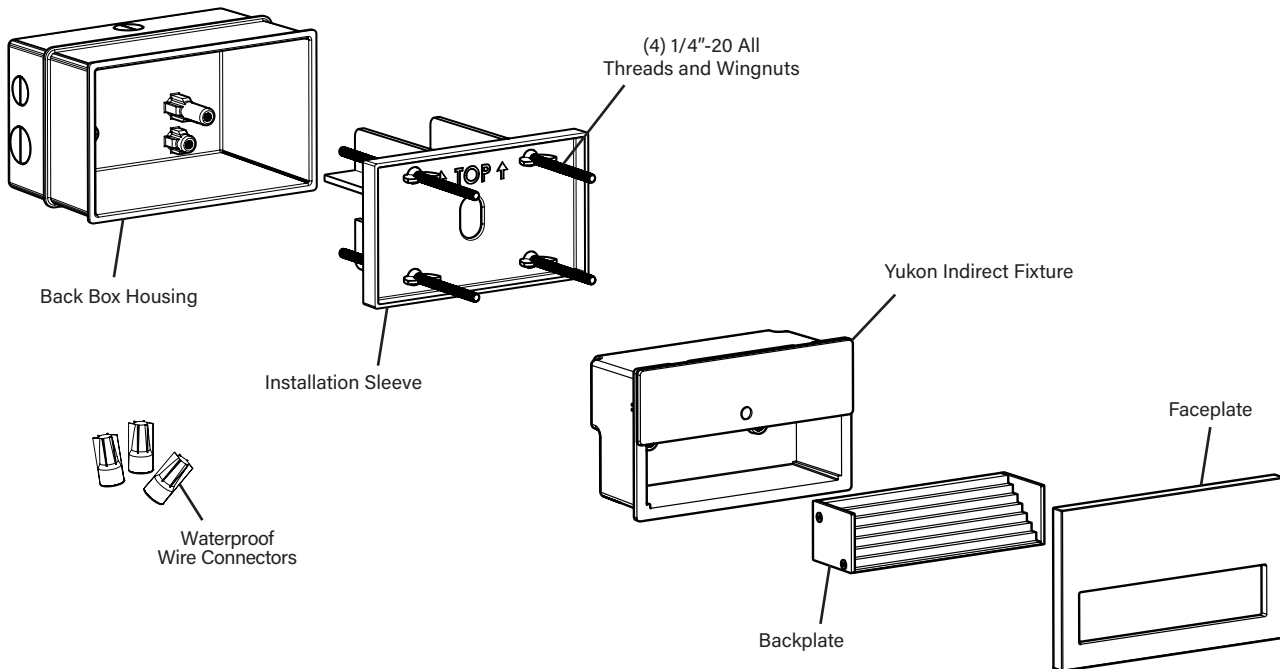
IMPORTANT SAFETY INFORMATION - READ, FOLLOW, AND SAVE ALL SAFETY AND INSTALLATION INSTRUCTIONS

- Product must be installed by a qualified person in a manner consistent with its intended use and in compliance with the National Electrical Code, Canadian Electrical Code, and all Local and Provincial Codes.
- Follow product label information and instructions.
- Qualified Personnel with appropriate personal protective equipment must perform all servicing of this product.
- Before wiring to power supply and during servicing, turn off and lock out power at fuse or circuit breaker before service.
- The use of accessory equipment not recommended by the manufacturer or installed contrary to instructions may cause an unsafe condition. The use of damaged components may cause an unsafe condition and void product warranty.
- Do not block light emanating from product in whole or part, as this may cause an unsafe condition.
- Never operate the fixture with missing or damaged lens. Lens must be cleaned on regular basis.
- Entire fixture may become extremely hot. Do not touch hot lens or fixture body.
- Replace LED assembly only with correct wattage and type of power supply appropriate for LED assembly.
- All gaskets, o-rings and sealing surfaces must be kept clean during installation and service; failure to do this may cause an unsafe condition and void product warranty.

IMPORTANT LISTINGS AND CERTIFICATIONS

- Suitable for wet locations

YK-I : Yukon Indirect



Images may vary from actual product.

IMPORTANT SAFETY INFORMATION - READ, FOLLOW, AND SAVE THESE INSTALLATION INSTRUCTIONS

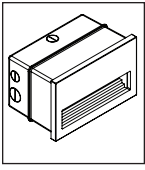
B-K LIGHTING

40429 Brickyard Drive • Madera, CA 93636 • USA
 559.438.5800 • FAX 559.438.5900
 www.bklighting.com • info@bklighting.com

RELEASE DATE
 02/15/2024

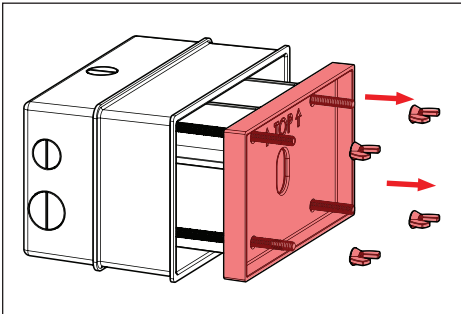
REFERENCE NUMBER
 INS-2820-00

THIS DOCUMENT CONTAINS PROPRIETARY INFORMATION OF B-K LIGHTING, INC. AND ITS RECEIPT OR POSSESSION DOES NOT CONVEY ANY RIGHTS TO REPRODUCE, DISCLOSE ITS CONTENTS, OR TO MANUFACTURE, USE OR SELL ANYTHING IT MAY DESCRIBE. REPRODUCTION, DISCLOSURE OR USE WITHOUT SPECIFIC WRITTEN AUTHORIZATION OF B-K LIGHTING, INC. IS STRICTLY FORBIDDEN.

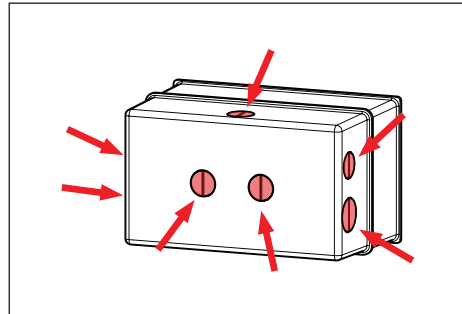


Standard Instructions

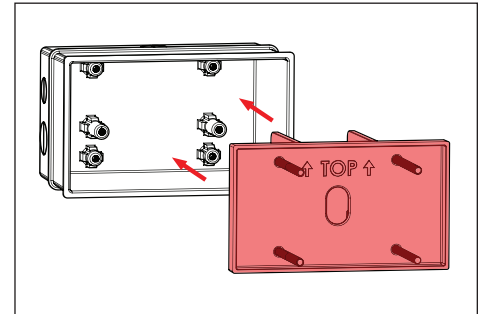
Phase 1 - Rough in



1. Prepare housing for installation. Remove installation sleeve by removing four (4) wing nuts. Set aside for later use.



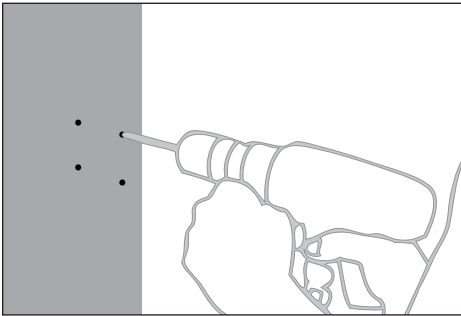
2. Housing is provided with six (6) 1/2" and two (2) 3/4" conduit entries. Knockout or drill out using a hole saw on desired conduit entry point. Install conduit onto housing.



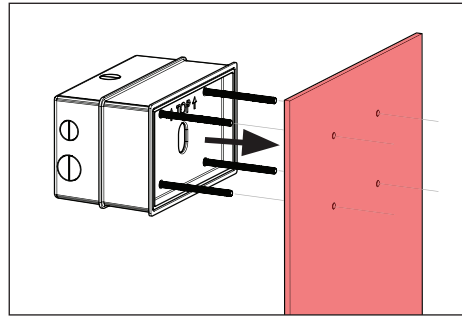
3. Reinstall installation sleeve into housing. Inscription "TOP" on sleeve indicates top side of fixture for correct fixture orientation.

⚠️ 7/8" hole saw for 1/2" conduit or 1-1/8" hole saw for 3/4 conduit.

⚠️ Incorrect installation will result in improper light output.

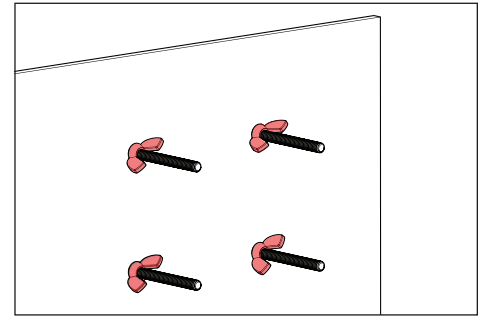


4. Drill four (4) 1/4" holes at desired position on concrete form. Mounting against a flat surface like a plywood form is recommended. Use provided mounting hole template on pg 4.



5. Install housing and sleeve assembly onto concrete form. Pass all threads through mounting holes.

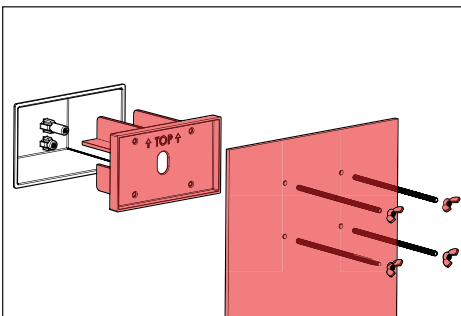
⚠️ Ensure "TOP" orientation is correct for proper installation.



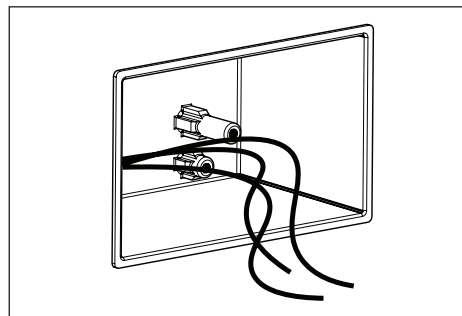
6. Hand tighten four (4) wingnuts onto all threads until housing assembly is firmly secured against the inside face of concrete form.

⚠️ Note: A flat surface is required to keep concrete from filling the housing.

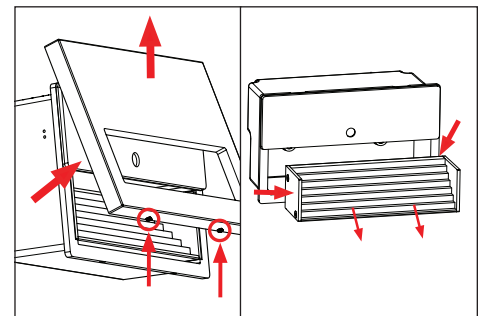
Phase 2 - Finish Installation



1. Once concrete is cured, remove concrete form and all threads from housing. Leave installation sleeve inside housing until fixture is ready to be installed to prevent debris from building up in housing.



2. Remove installation sleeve. Pull primary branch circuit wiring and/ or dimming control wiring necessary for installation.

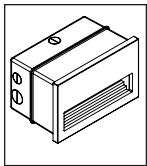


3. Prepare fixture for installation. Remove faceplate from housing by loosening two (2) #6-32 set screws using a 1/16" allen wrench. **Do not fully remove set screws.**

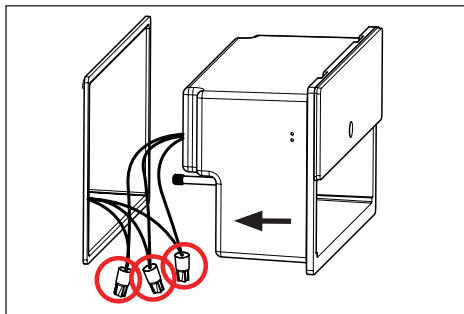
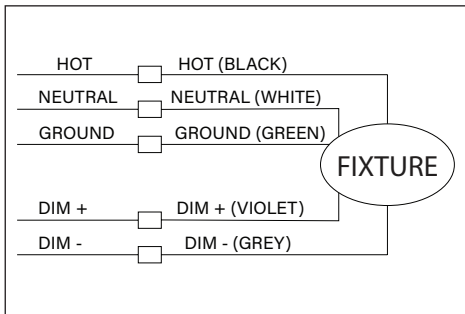
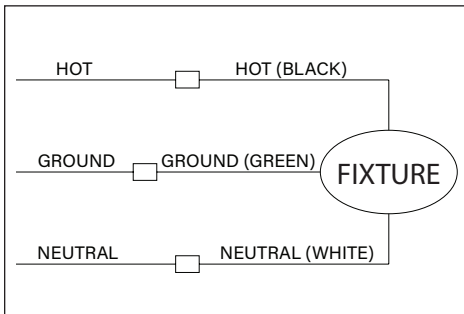
4. Pull lower side of faceplate away from fixture body, then lift up faceplate and remove. Remove backplate, grab both sides and slide out of fixture body.

**IMPORTANT SAFETY INFORMATION LISTED ON REVERSE
READ, FOLLOW, AND SAVE ALL SAFETY AND INSTALLATION INSTRUCTIONS**





Standard Instructions



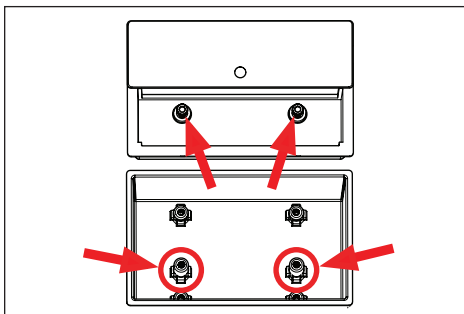
5. Make watertight connections from line voltage to fixture leads using waterproof wire connectors.

(0-10 Wiring Diagram)

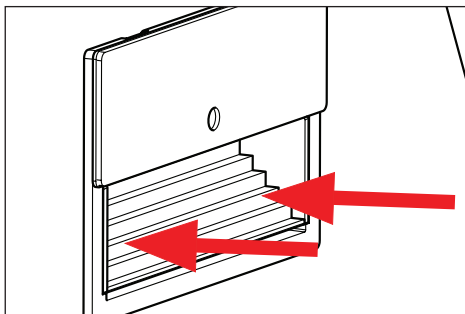
6. Place connections inside housing. Install fixture into housing. Use caution to not pinch fixture wiring.

⚠ All line voltage connections must be made in compliance with the National Electrical Code. Failure to do so will void warranty.

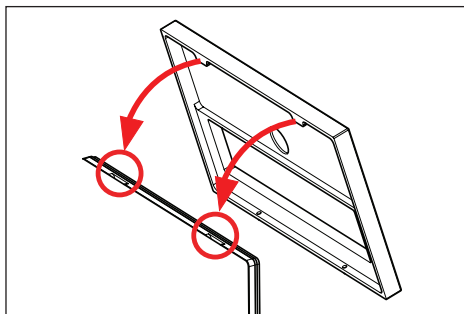
⚠ All line voltage connections must be made in compliance with the National Electrical Code. Failure to do so will void warranty.



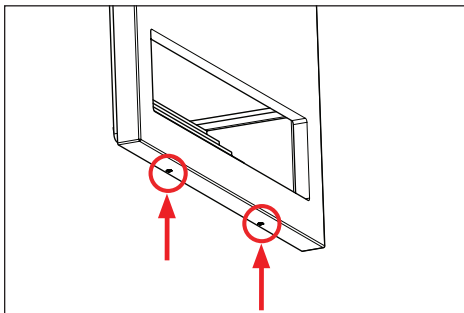
7. Secure fixture by tightening two (2) #1/4-20 screws using a 3/16" allen wrench. **Do not overtighten.** These screws allow for up to 5/8" of adjustment between the fixture and the housing.



8. After fixture is secured, re-install backplate. Ensure backplate orientation is correct. When properly installed, the backplate will not protrude from the housing.



9. Install faceplate onto fixture. Place top side of faceplate onto housing first, while inserting faceplate tabs into notches on fixture.



10. Then lower bottom side of faceplate onto fixture. Secure by tightening two (2) #6-32 set screws using a 1/16" allen wrench. **Do not overtighten.**

**IMPORTANT SAFETY INFORMATION LISTED ON REVERSE
READ, FOLLOW, AND SAVE ALL SAFETY AND INSTALLATION INSTRUCTIONS**

