

MINI YUKON WALL RECESSED - LED

Standard Instructions



Flammable



Warning



Line Voltage



Hot Surface

TOOLS NEEDED:

- 1/8", 5/64" & 1/16" Allen wrench
- Phillips Screwdriver
- Waterproof Wire connectors

INSTRUCTIONS PERTAINING TO A RISK OF FIRE, OR INJURY TO PERSONS IMPORTANT SAFETY INSTRUCTIONS

Lighted fixture is HOT!

WARNING - To reduce the risk of FIRE OR INJURY TO PERSONS:

Turn off/unplug and allow to cool before replacing lamp/LED. Fixture gets HOT quickly! Contact only switch/plug when turning on. Do not touch hot lens, guard, or enclosure. Keep fixture away from materials that may burn. Do not operate the luminaire fitting with a missing or damaged shield. Do not touch the source at any time. Use a soft cloth or gloves. Oil from skin may cause damage.

SAVE THESE INSTRUCTIONS

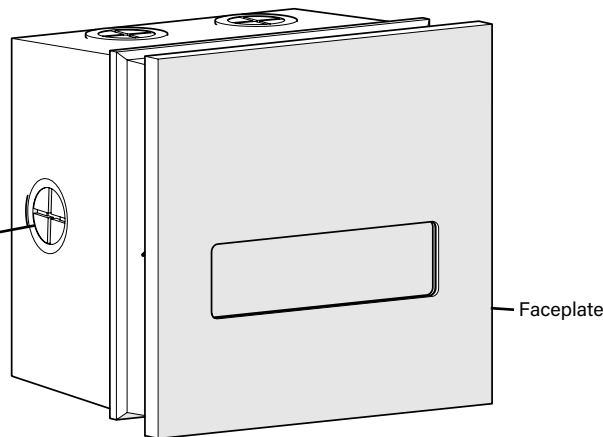
IMPORTANT SAFETY INFORMATION - READ, FOLLOW, AND SAVE ALL SAFETY AND INSTALLATION INSTRUCTIONS

- Product must be installed by a qualified person in a manner consistent with its intended use and in compliance with the National Electrical Code, Canadian Electrical Code, and all Local and Provincial Codes.
- Follow product label information and instructions.
- Qualified Personnel with appropriate personal protective equipment must perform all servicing of this product.
- Before wiring to power supply and during servicing, turn off and lock out power at fuse or circuit breaker before service.
- The use of accessory equipment not recommended by the manufacturer or installed contrary to instructions may cause an unsafe condition. The use of damaged components may cause an unsafe condition and void product warranty.
- Do not block light emanating from product in whole or part, as this may cause an unsafe condition.
- Never operate the fixture with missing or damaged lens. Lens must be cleaned on regular basis.
- Entire fixture may become extremely hot. Do not touch hot lens or fixture body.
- Replace LED assembly only with correct wattage and type of power supply appropriate for LED assembly.
- All gaskets, o-rings and sealing surfaces must be kept clean during installation and service; failure to do this may cause an unsafe condition and void product warranty.

IMPORTANT LISTINGS AND CERTIFICATIONS

- Suitable for wet location
- Additionally suitable for mounting within 4 ft. of the ground
- Type Non-IC

2 Gang Box 7 Entry Holes with 3/4" Threads
Front View Side View 6 Plugs Included



IMPORTANT SAFETY INFORMATION - READ, FOLLOW, AND SAVE THESE INSTALLATION INSTRUCTIONS

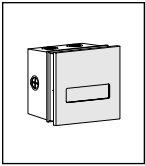
B-K LIGHTING

40429 Brickyard Drive • Madera, CA 93636 • USA
559.438.5800 • FAX 559.438.5900
www.bklighting.com • info@bklighting.com

RELEASE DATE
02/15/2024

REFERENCE NUMBER
INS-2870-00

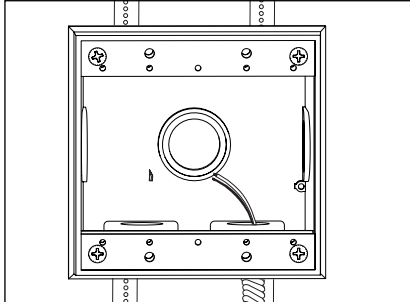
THIS DOCUMENT CONTAINS PROPRIETARY INFORMATION OF B-K LIGHTING, INC. AND ITS RECEIPT OR POSSESSION DOES NOT CONVEY ANY RIGHTS TO REPRODUCE, DISCLOSE ITS CONTENTS, OR TO MANUFACTURE, USE OR SELL ANYTHING IT MAY DESCRIBE. REPRODUCTION, DISCLOSURE OR USE WITHOUT SPECIFIC WRITTEN AUTHORIZATION OF B-K LIGHTING, INC. IS STRICTLY FORBIDDEN.



Standard Instructions

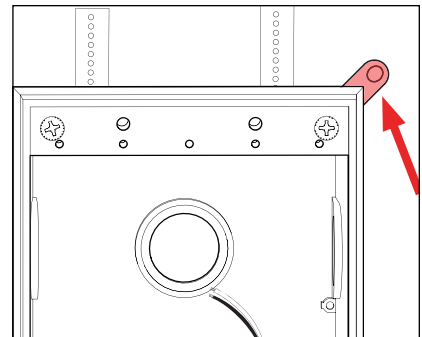
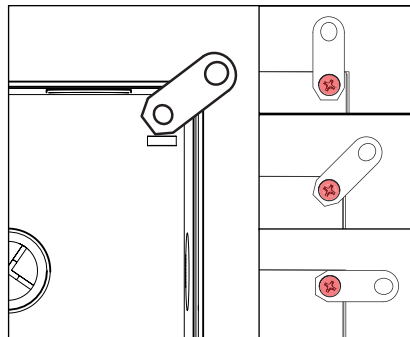
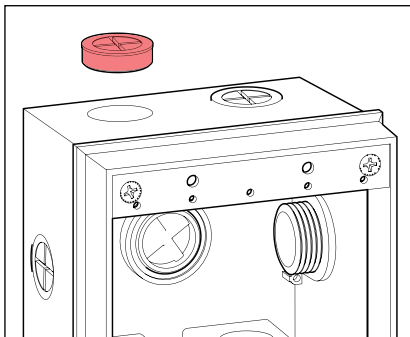
Phase 1 - Rough In

Installation of Back box



Additional Info

- Please follow National and Local electrical codes for your area.
- Suitable for through wire.
- Suitable for installation into combustibile materials.
- Rated for 90° C.



1. Ensure unused tapped holes are plugged to maintain seal. Plugs are included.
2. Install Conduit (not included) to be used with this product.

3. To prepare junction box for mounting, align mounting brackets on back of box. Brackets can be aligned to vertical, horizontal or 45° orientation. Secure with mounting screw using screwdriver.

4. Mount junction box to surface using mounting hardware (included) using the mounting brackets attached to back of junction box.

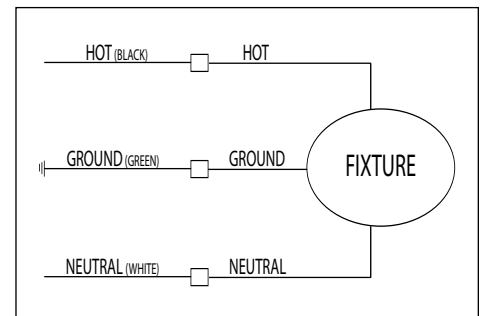
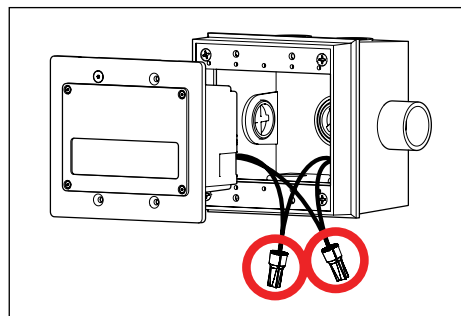
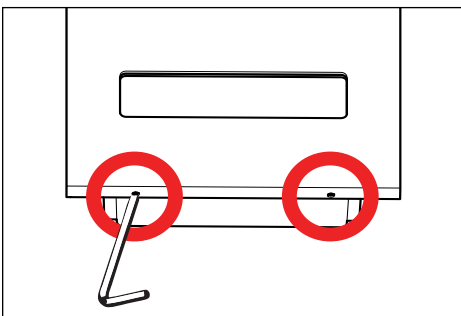
NOTE: Surface conduit is a common entrance for water if not properly sealed. Seal connector threads and conduit with a suitable sealant (teflon tape, adhesive, etc.). Sealing the conduit after knockouts are removed is required to maintain warranty.

Install junction box so that front face is flush with finished wall or ceiling. Make sure junction box is plumb before proceeding.

Alternative mounting methods may compromise integrity of junction box against water intrusion and will void warranty.

5. Connect box to conduit and pull wires for connections (See Wiring diagram).

Phase 2 - Finish Installation of Fixture



1. Remove faceplate from fixture by loosening two (2) #4-40 set screws using 1/16 allen wrench. **Do not fully remove set screws.**

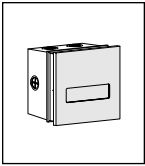
2. Make watertight connections from branch circuit wiring to fixture leads using waterproof wire connectors (not included). See wiring diagram

WIRING DIAGRAM

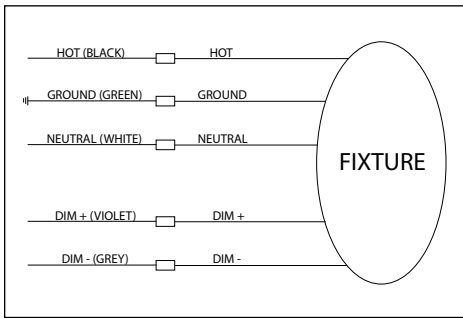
All line voltage connection must be made in compliance with the National Electrical Code. Failure to do so will void warranty.

**IMPORTANT SAFETY INFORMATION LISTED ON REVERSE
READ, FOLLOW, AND SAVE ALL SAFETY AND INSTALLATION INSTRUCTIONS**

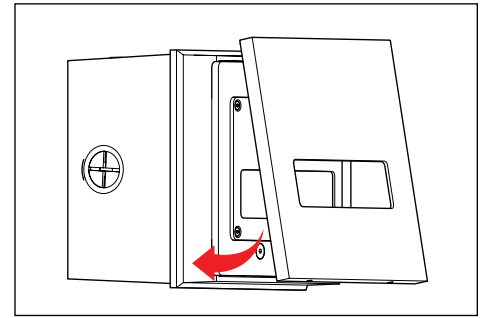
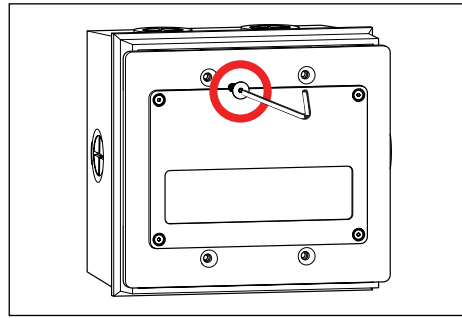




Standard Instructions

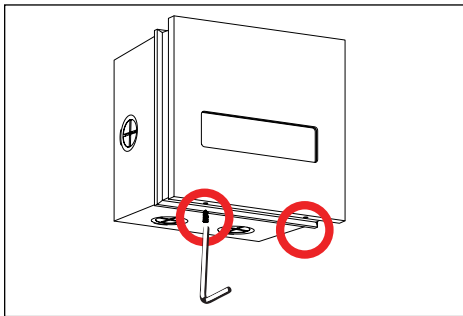


WIRING DIAGRAM - Dimming



3. Place connections inside junction box and install fixture. Secure by tightening four (4) #6-32 screws using a 5/64" allen wrench. Use caution to not pinch any wiring.

4. Attach faceplate previously removed on Step 1



5. Tighten two (2) #4-40 stainless steel set screws at the bottom of the faceplate with a 1/16" allen wrench.

**IMPORTANT SAFETY INFORMATION LISTED ON REVERSE
READ, FOLLOW, AND SAVE ALL SAFETY AND INSTALLATION INSTRUCTIONS**

