

### Standard Installation

# ALPINE

## WALL MOUNT - REMOTE - LED



Flammable



Warning



Low Voltage



Hot Surface

#### TOOLS NEEDED:



1/8" Allen Wrench



Waterproof Wire Connectors

### INSTRUCTIONS PERTAINING TO A RISK OF FIRE, OR INJURY TO PERSONS IMPORTANT SAFETY INSTRUCTIONS

#### Lighted fixture is HOT!

#### WARNING - To reduce the risk of FIRE OR INJURY TO PERSONS:

Turn off/unplug and allow to cool before replacing lamp/LED. Fixture gets HOT quickly! Contact only switch/plug when turning on. Do not touch hot lens, guard, or enclosure. Keep fixture away from materials that may burn. Do not operate the luminaire fitting with a missing or damaged shield. Do not touch the source at any time. Use a soft cloth or gloves. Oil from skin may cause damage.

**SAVE THESE INSTRUCTIONS**

### IMPORTANT SAFETY INFORMATION - READ, FOLLOW, AND SAVE ALL SAFETY AND INSTALLATION INSTRUCTIONS

- Product must be installed by a qualified person in a manner consistent with its intended use and in compliance with the National Electrical Code, Canadian Electrical Code, and all Local and Provincial Codes.
- Follow product label information and instructions.
- Qualified Personnel with appropriate personal protective equipment must perform all servicing of this product.
- Before wiring to power supply and during servicing, turn off and lock out power at fuse or circuit breaker before service.
- The use of accessory equipment not recommended by the manufacturer or installed contrary to instructions may cause an unsafe condition. The use of damaged components may cause an unsafe condition and void product warranty.
- Do not block light emanating from product in whole or part, as this may cause an unsafe condition.
- Never operate the fixture with missing or damaged lens. Lens must be cleaned on regular basis.
- Entire fixture may become extremely hot. Do not touch hot lens or fixture body.
- Replace LED assembly only with correct wattage and type of power supply appropriate for LED assembly.
- All gaskets, o-rings and sealing surfaces must be kept clean during installation and service; failure to do this may cause an unsafe condition and void product warranty.

### IMPORTANT LISTINGS AND CERTIFICATIONS

- Suitable for wet locations

### ⚠ REMOTE WIRING

#### LED Driver

Remote driver installations require inter-connected wiring between the LED and driver (not included). Drivers have specific wiring requirements between these components. Driver manufacturers regularly recommend the following wiring details for such installations:

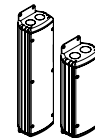
- Do not exceed 50 foot overall wiring distance using 12 gauge copper wire.

**Failure to comply with specific wiring requirements will void product warranty.**

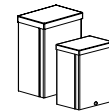
#### ⚠ DRIVER HOUSING REQUIRED Please refer to specified remote driver housing documentation for detailed installation instructions.

#### REMOTE DRIVER HOUSINGS:

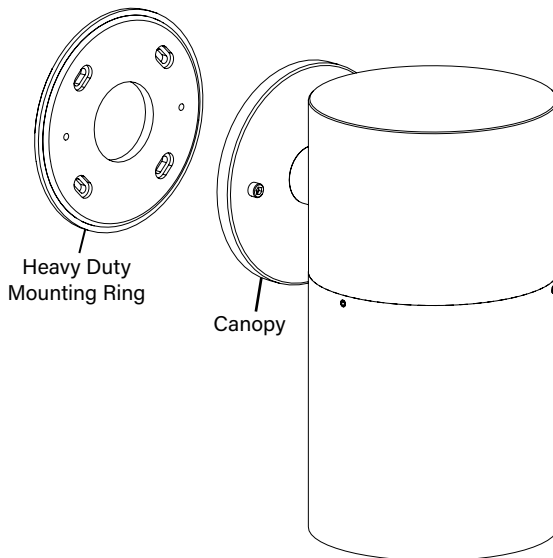
- PM3RM - Universal Power Module 3 Remote
- PM3DRM - Universal Power Module 3 Dual Remote
- RM - Remote Wall Mount
- DRM - Dual Remote Wall Mount



PM3RM & PM3DRM



RM & DRM



Heavy Duty  
Mounting Ring

Canopy

### IMPORTANT SAFETY INFORMATION - READ, FOLLOW, AND SAVE THESE INSTALLATION INSTRUCTIONS

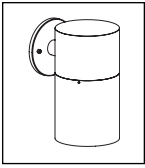
# B-K LIGHTING

40429 Brickyard Drive • Madera, CA 93636 • USA  
559.438.5800 • FAX 559.438.5900  
www.bklighting.com • info@bklighting.com

RELEASE DATE  
02/08/2024

REFERENCE NUMBER  
INS-2189-00

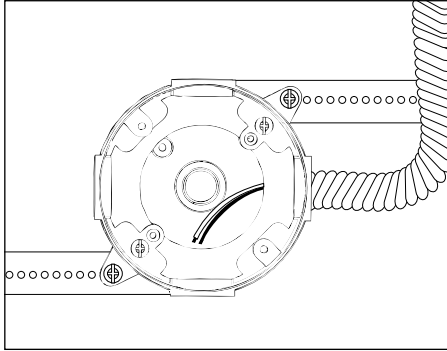
THIS DOCUMENT CONTAINS PROPRIETARY INFORMATION OF B-K LIGHTING, INC. AND ITS RECEIPT OR POSSESSION DOES NOT CONVEY ANY RIGHTS TO REPRODUCE, DISCLOSE ITS CONTENTS, OR TO MANUFACTURE, USE OR SELL ANYTHING IT MAY DESCRIBE. REPRODUCTION, DISCLOSURE OR USE WITHOUT SPECIFIC WRITTEN AUTHORIZATION OF B-K LIGHTING, INC. IS STRICTLY FORBIDDEN.



## Standard Installation

### Phase 1 - Rough In

Installation of Back box

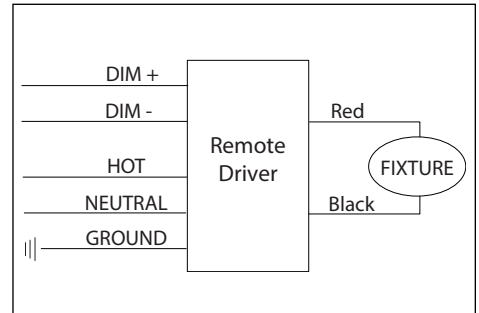
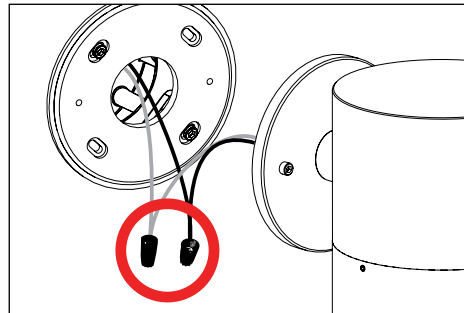
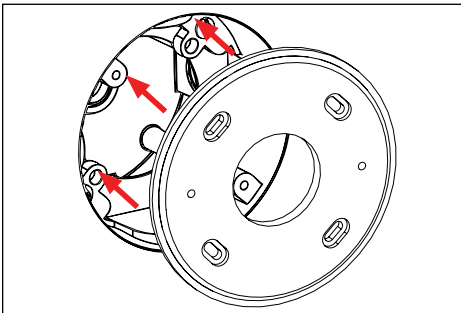


#### Additional Info

- Please follow National and Local electrical codes for your area.
- 4" round cast box is provided with five (5) 1/2" threaded hubs for conduit entry (4 on sides and one on back of box).
- Suitable for through wire.
- Suitable for installation into combustible materials.
- Rated for 90° C.
- Junction box, universal mounting ring screws, box mounting hardware and gaskets (not included).

1. Install conduit (not included) to be used with this product.
2. Install junction box (not included) so that front face is flush with finished wall. Seal building envelope as per NEC.
3. Connect box to conduit and pull wires for connections (**See wiring diagram**).

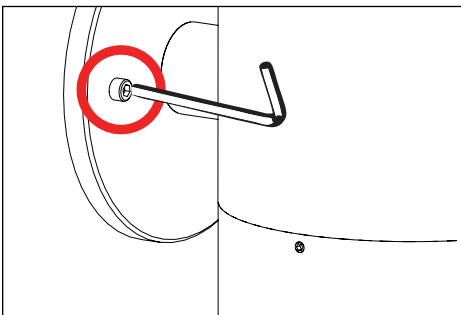
### Phase 2 - Finish Installation of Fixture



1. Install heavy duty mounting ring (mounting ring supplied with fixture) using mounting hardware (not included) onto back box. Align fixture mounting holes to final mounting position.
2. Make connections from remote driver and external dimming controls to fixture and module leads using proper wire connectors (not included). Number of wires and connections varies with wiring as per lighting plan. **See wiring diagrams.**

#### WIRING DIAGRAM

**For use with 34-57 watt dimming driver.**



3. Mount fixture using two (2) #10-24 hex screws to installed back box using a 1/8" allen wrench.

**Seal building envelope as per NEC. Do not overtighten.**

**IMPORTANT SAFETY INFORMATION LISTED ON REVERSE  
READ, FOLLOW, AND SAVE ALL SAFETY AND INSTALLATION INSTRUCTIONS**



# B-K LIGHTING

40429 Brickyard Drive • Madera, CA 93636 • USA  
559.438.5800 • FAX 559.438.5900  
www.bklighting.com • info@bklighting.com

RELEASE DATE  
02/08/2024

REFERENCE NUMBER  
INS-2189-00



## Replacement

# ALPINE

WALL MOUNT - REMOTE - LED



Flammable



Warning



High Voltage

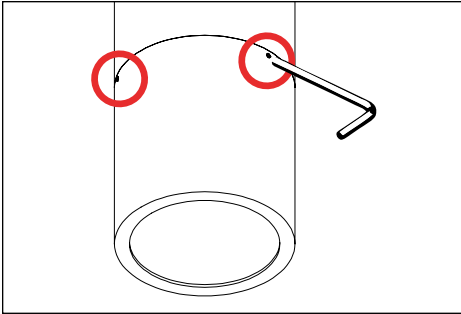


Hot Surface

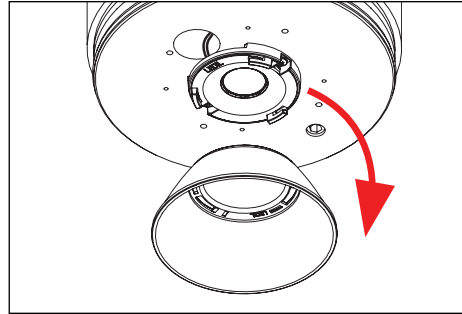
### TOOLS NEEDED:

- 5/32" Allen Wrench
- Thermal Paste (Included)
- Phillips Screwdriver
- Small Pick Tool

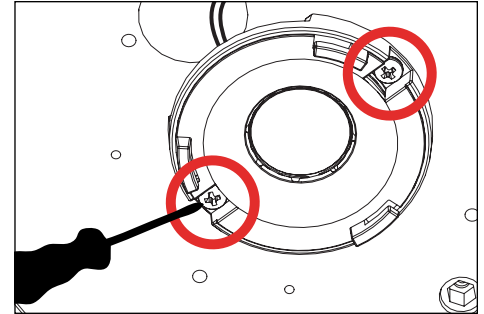
## To Replace Components



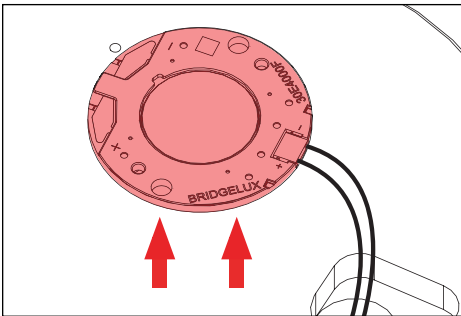
1. Loosen three (3) #10-32 stainless steel set screws on cap with a 5/32" allen wrench. Retain screws in cap.



2. Remove optic by turning to the left to unlock optic from optic holder tabs, and lift up.

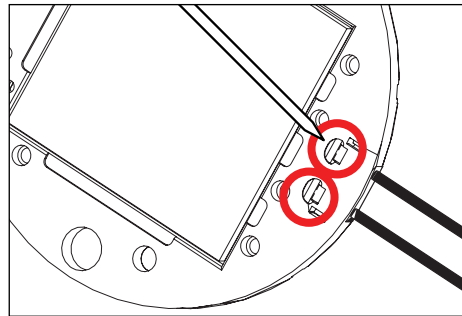


3. Unscrew #4-40 phillips fasteners on optic holder using phillips screwdriver. Grasp optic holder and gently pull upward to remove.



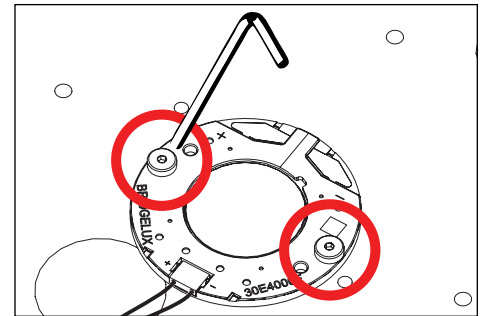
4. Carefully remove LED module from heatsink.

**⚠ Do not pull on connector or wiring. Handle with care.**

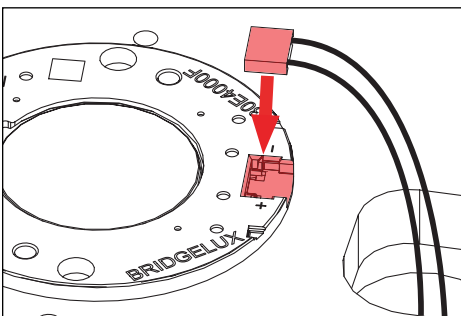


5. Use small pick tool to push connector off LED board through two small slots behind connector. Once loose, lift connector upwards and off board.

**⚠ Fragile! Do not pull on connector or wiring. Handle with care.**

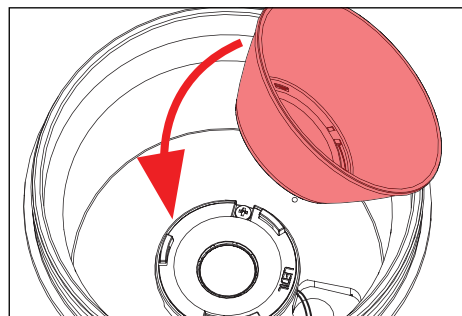


6. Spread thin, even layer of thermal paste on back of new LED module. Place new LED module onto heatsink, lining up module with holes for screws. Tighten two (2) #4-40 screws using a .050" allen wrench to secure LED module to heatsink.

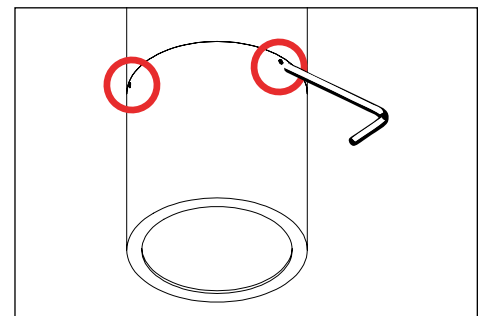


7. Place new LED module onto heatsink. Press connector straight downwards into slot on module to snap into place.

**⚠ Connector will only fit in one direction.**



8. Reverse install optic holder, and then optic.



9. Place cap on fixture and tighten set screw. Tighten screw to 1/2 in-lbs. Top of screw should sit flush with fixture cap.

**⚠ Warning: Do not over tighten set screw. Doing so will compromise o-ring seal and will void warranty. Cap should be able to rotate without force.**

## IMPORTANT SAFETY INFORMATION - READ, FOLLOW, AND SAVE THESE INSTALLATION INSTRUCTIONS

# B-K LIGHTING

40429 Brickyard Drive • Madera, CA 93636 • USA  
559.438.5800 • FAX 559.438.5900  
www.bklighting.com • info@bklighting.com

RELEASE DATE  
02/08/2024

REFERENCE NUMBER  
INS-2189-00

THIS DOCUMENT CONTAINS PROPRIETARY INFORMATION OF B-K LIGHTING, INC. AND ITS RECEIPT OR POSSESSION DOES NOT CONVEY ANY RIGHTS TO REPRODUCE, DISCLOSE ITS CONTENTS, OR TO MANUFACTURE, USE OR SELL ANYTHING IT MAY DESCRIBE. REPRODUCTION, DISCLOSURE OR USE WITHOUT SPECIFIC WRITTEN AUTHORIZATION OF B-K LIGHTING, INC. IS STRICTLY FORBIDDEN.