

Standard Installation

ALPINE

WALL MOUNT - COLOR TUNING - LED



Flammable



Warning



Low Voltage



Hot Surface

TOOLS NEEDED:

- 1/8" Allen Wrench
- Waterproof Wire Connectors
- Mounting Hardware
- iOS Device with Inspiration App

INSTRUCTIONS PERTAINING TO A RISK OF FIRE, OR INJURY TO PERSONS IMPORTANT SAFETY INSTRUCTIONS

Lighted fixture is HOT!

WARNING - To reduce the risk of FIRE OR INJURY TO PERSONS:

Turn off/unplug and allow to cool before replacing lamp/LED. Fixture gets HOT quickly! Contact only switch/plug when turning on. Do not touch hot lens, guard, or enclosure. Keep fixture away from materials that may burn. Do not operate the luminaire fitting with a missing or damaged shield. Do not touch the source at any time. Use a soft cloth or gloves. Oil from skin may cause damage.

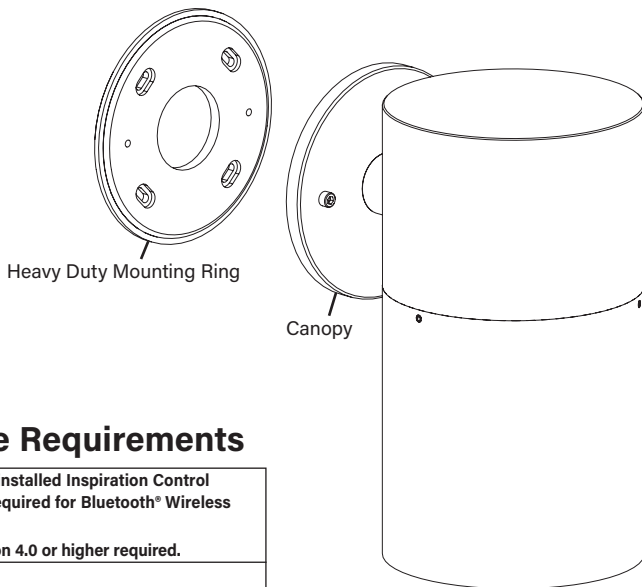
SAVE THESE INSTRUCTIONS

IMPORTANT SAFETY INFORMATION - READ, FOLLOW, AND SAVE ALL SAFETY AND INSTALLATION INSTRUCTIONS

- Product must be installed by a qualified person in a manner consistent with its intended use and in compliance with the National Electrical Code, Canadian Electrical Code, and all Local and Provincial Codes.
- Follow product label information and instructions.
- Qualified Personnel with appropriate personal protective equipment must perform all servicing of this product.
- Before wiring to power supply and during servicing, turn off and lock out power at fuse or circuit breaker before service.
- The use of accessory equipment not recommended by the manufacturer or installed contrary to instructions may cause an unsafe condition. The use of damaged components may cause an unsafe condition and void product warranty.
- Do not block light emanating from product in whole or part, as this may cause an unsafe condition.
- Never operate the fixture with missing or damaged lens. Lens must be cleaned on regular basis.
- Entire fixture may become extremely hot. Do not touch hot lens or fixture body.
- Replace LED assembly only with correct wattage and type of power supply appropriate for LED assembly.
- All gaskets, o-rings and sealing surfaces must be kept clean during installation and service; failure to do this may cause an unsafe condition and void product warranty.

IMPORTANT LISTINGS AND CERTIFICATIONS

- Suitable for wet locations



Heavy Duty Mounting Ring

Canopy

AP - Alpine

REMOTE WIRING

LED Driver

Remote driver installations require inter-connected wiring between the LED and driver (not included). Drivers have specific wiring requirements between these components. Driver manufacturers regularly recommend the following wiring details for such installations:

- Do not exceed 50 foot overall wiring distance using 12 gauge copper wire.

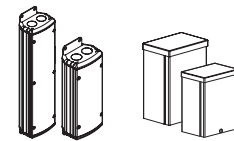
Failure to comply with specific wiring requirements will void product warranty.

DRIVER HOUSING REQUIRED

Please refer to specified remote driver housing documentation for detailed installation instructions.

REMOTE DRIVER HOUSINGS:

- PM3RM - Universal Power Module 3 Remote
- PM3DRM - Universal Power Module 3 Dual Remote
- RM - Remote Wall Mount
- DRM - Dual Remote Wall Mount



PM3RM & PM3DRM RM & DRM

Device Requirements

! iOS device with installed Inspiration Control System App is required for Bluetooth® Wireless Control.

Bluetooth® version 4.0 or higher required.

iOS Devices:

- iPhone - iPhone 4s or newer
- iPad - 3rd Gen iPad or newer
- iPad Mini
- iPad Air
- iPod - iPod Touch 5th Gen or newer

IMPORTANT SAFETY INFORMATION - READ, FOLLOW, AND SAVE THESE INSTALLATION INSTRUCTIONS

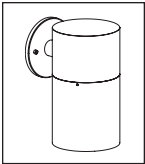
B-K LIGHTING

40429 Brickyard Drive • Madera, CA 93636 • USA
559.438.5800 • FAX 559.438.5900
www.bklighting.com • info@bklighting.com

RELEASE DATE
02/08/2024

REFERENCE NUMBER
INS-2313-00

THIS DOCUMENT CONTAINS PROPRIETARY INFORMATION OF B-K LIGHTING, INC. AND ITS RECEIPT OR POSSESSION DOES NOT CONVEY ANY RIGHTS TO REPRODUCE, DISCLOSE ITS CONTENTS, OR TO MANUFACTURE, USE OR SELL ANYTHING IT MAY DESCRIBE. REPRODUCTION, DISCLOSURE OR USE WITHOUT SPECIFIC WRITTEN AUTHORIZATION OF B-K LIGHTING, INC. IS STRICTLY FORBIDDEN.

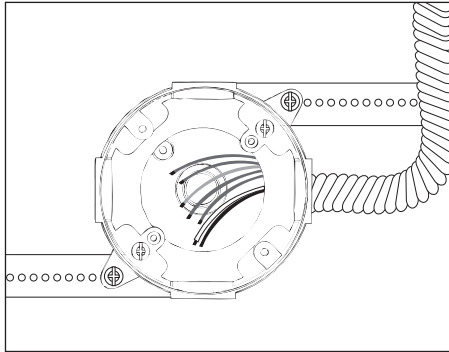


Standard Installation

⚠️ iOS device (Not Included) with installed B-K Lighting Inspiration Application required for use.

Phase 1 - Rough In

Installation of Back box

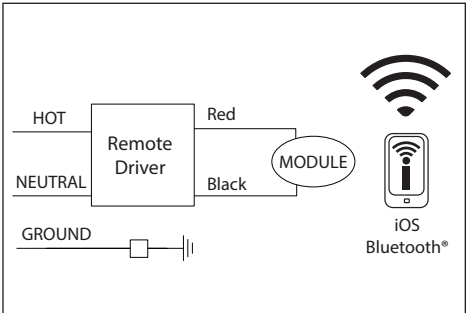
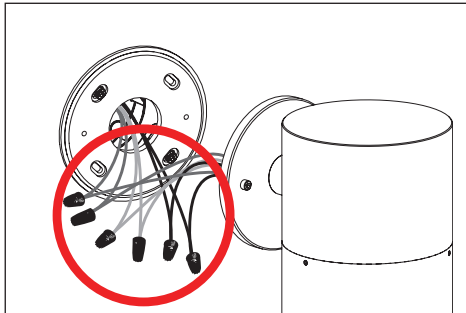
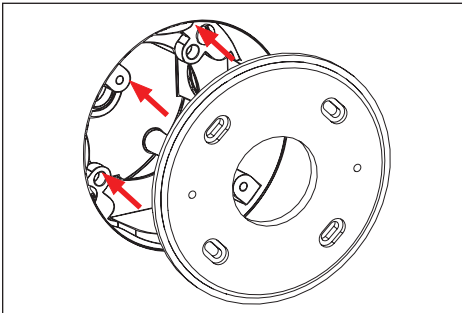


Additional Info

- Please follow National and Local electrical codes for your area.
- Suitable for through wire.
- Suitable for installation into combustible materials.
- Rated for 90° C.
- Use appropriate size junction box for specified canopy.
- Junction box, universal mounting ring screws, box mounting hardware and gaskets (not included).

1. Install conduit (not included) to be used with this product.
2. Install junction box (not included) so that front face is flush with finished wall. Seal building envelope as per NEC.
3. Connect box to conduit and pull wires for connections (**See wiring diagram**).

Phase 2 - Finish Installation of Fixture

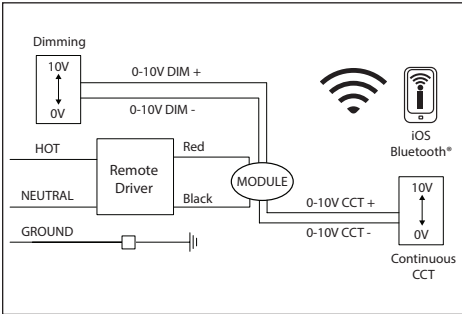


1. Install mounting ring (mounting ring included with fixture) using mounting hardware (not included) onto back box. Align fixture mounting holes to final mounting position.
2. Make connections from remote driver and external dimming controls to fixture and module leads using proper wire connectors (not included). Number of wires and connections varies with wiring as per lighting plan. **See wiring diagrams.**

WIRING DIAGRAM - Wireless Bluetooth® Controls with Inspiration Application on iOS device

iOS device controls dimming, CCT, Saturation, and Hue using Bluetooth® wireless controls and the application.

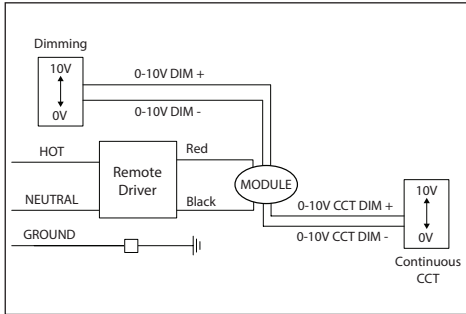
⚠️ iOS device must be within 5ft of fixture for wireless operation.



WIRING DIAGRAM - Hybrid

Secondary wiring from remote driver connects to fixture leads. 0-10V dimming connects to module. 0-10V Continuous CCT connects to module. iOS device controls Saturation and Hue.

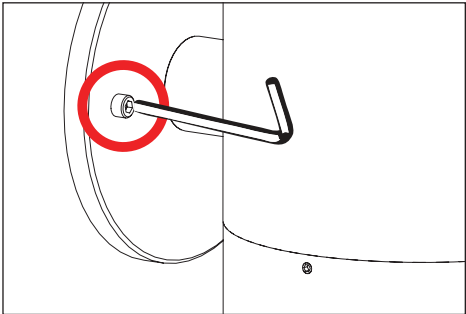
⚠️ iOS device must be within 5ft of fixture for wireless operation.



WIRING DIAGRAM - 0-10V Wired

Secondary wiring from remote driver connects to fixture leads. 0-10V dimming connects to module. 0-10V Continuous CCT connects to module and controls CCT.

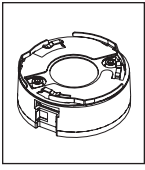
⚠️ iOS device must be within 5ft of fixture for wireless operation.



4. Place connections in back box, then mount fixture using two (2) #10-24 screws to installed back box using a 1/8" allen wrench. **Seal building envelope as per NEC. Do not overtighten.**

**IMPORTANT SAFETY INFORMATION LISTED ON REVERSE
READ, FOLLOW, AND SAVE ALL SAFETY AND INSTALLATION INSTRUCTIONS**





Module Replacement

LED MODULE/OPTICS

5-1/2" DIAMETER



Flammable



Warning






Low Voltage

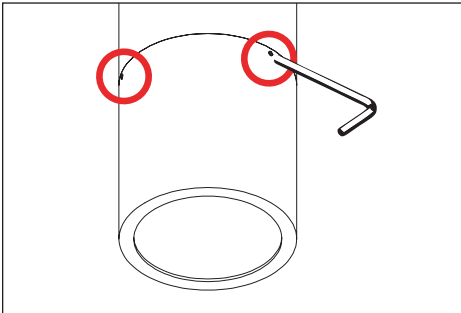


Hot Surface

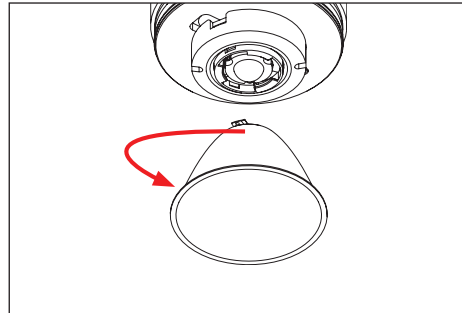
TOOLS NEEDED:

-  7/64", 3/32" & .050" Allen Wrench
-  Thermal Paste (Included)
-  Phillips Screwdriver

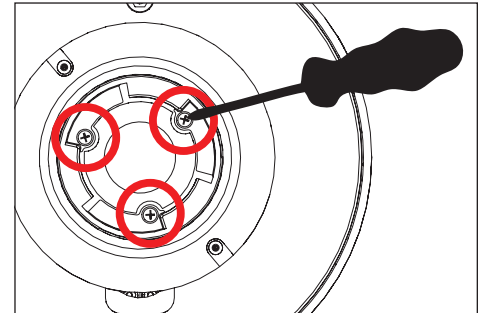
To Replace Components



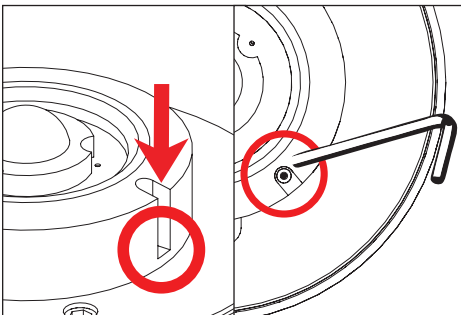
1. Remove cap by loosening three (3) #10-32 set screws using a 3/32" allen wrench.



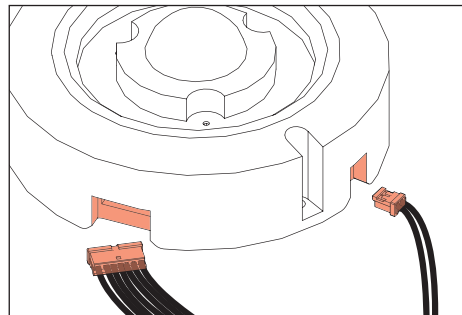
2. Gently twist optic to the left so optic tabs are clear of optic holder and carefully pull away.



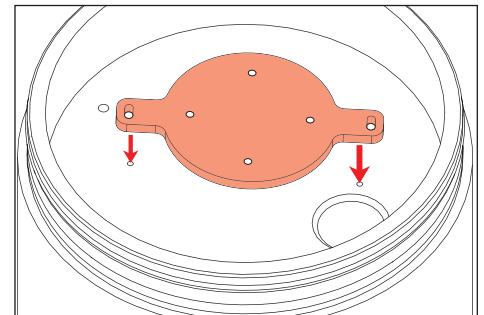
3. Loosen, then remove three (3) #2-28 screws from optic module using a phillips screwdriver. Remove optic holder from module.



4. Loosen and remove two (2) #2-56 screws holding LED module to heatsink using 0.050" Allen wrench.

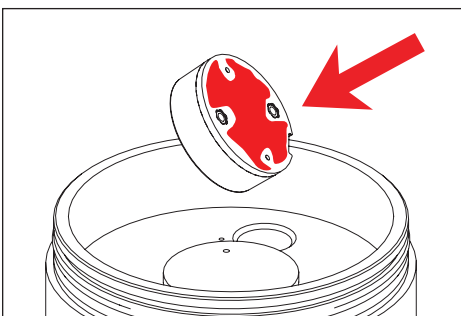


5. Carefully remove LED module from heatsink, then disconnect the quick disconnects for the wiring and the control wiring from the fixture to the LED module.

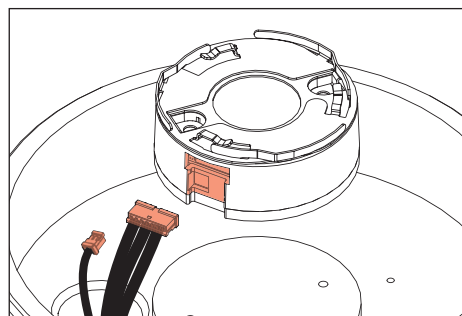


6. **For upgrading fixtures with previous module:** Install adapter plate. Line up tabs with outer two mounting holes, then secure with two (2) #2-56

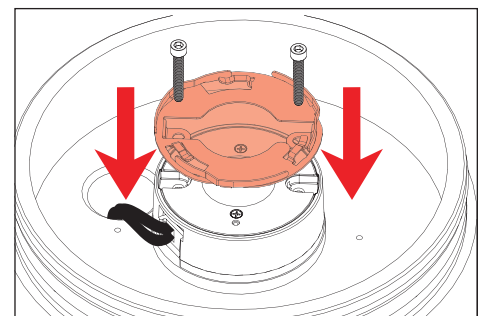
Do not pull on connectors or wiring. Handle with care.



7. Spread thin, even layer of thermal paste on back of new LED module.



8. Connect new LED module to fixture via quick disconnects for wiring and for control wiring.



9. Place new LED module onto heatsink, lining up module with holes for screws.

IMPORTANT SAFETY INFORMATION - READ, FOLLOW, AND SAVE THESE INSTALLATION INSTRUCTIONS

B-K LIGHTING

40429 Brickyard Drive • Madera, CA 93636 • USA
559.438.5800 • FAX 559.438.5900
www.bklighting.com • info@bklighting.com

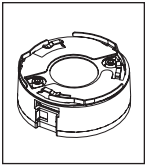
RELEASE DATE
02/08/2024

REFERENCE NUMBER
INS-2321-07

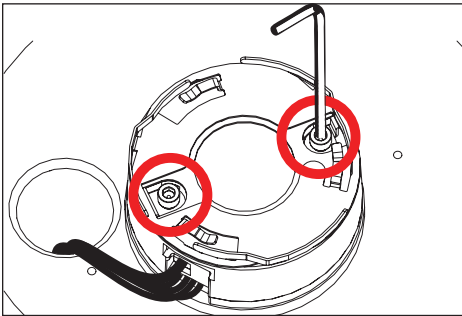
THIS DOCUMENT CONTAINS PROPRIETARY INFORMATION OF B-K LIGHTING, INC. AND ITS RECEIPT OR POSSESSION DOES NOT CONVEY ANY RIGHTS TO REPRODUCE, DISCLOSE ITS CONTENTS, OR TO MANUFACTURE, USE OR SELL ANYTHING IT MAY DESCRIBE. REPRODUCTION, DISCLOSURE OR USE WITHOUT SPECIFIC WRITTEN AUTHORIZATION OF B-K LIGHTING, INC. IS STRICTLY FORBIDDEN.

LED MODULE/OPTICS

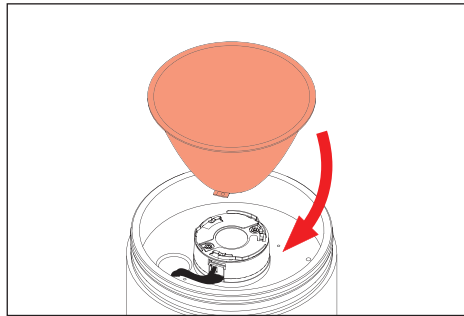
5-1/2" DIAMETER



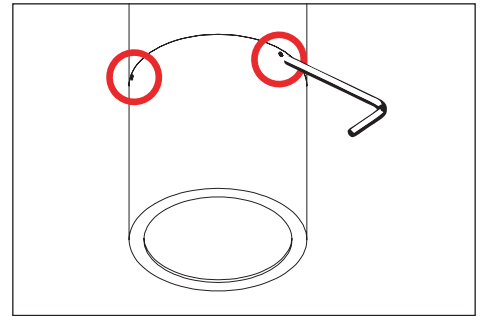
Module Replacement



10. Secure LED module and optic holder to heatsink with two (2) #2-56 screws using a 0.050" allen wrench.



11. Line up optic tabs in the optic holder, then gently twist to the right.



12. Place cap on fixture and tighten three (3) #10-32 set screws with a 3/32" allen wrench. Tighten screws to 1/2 in-lbs. Top of screws should sit flush with fixture cap.

⚠ Warning: Do not over tighten set screw. Doing so will compromise o-ring seal and will void warranty.

**IMPORTANT SAFETY INFORMATION LISTED ON REVERSE
READ, FOLLOW, AND SAVE ALL SAFETY AND INSTALLATION INSTRUCTIONS**



B-K LIGHTING

40429 Brickyard Drive • Madera, CA 93636 • USA
559.438.5800 • FAX 559.438.5900
www.bklighting.com • info@bklighting.com

RELEASE DATE
02/08/2024

REFERENCE NUMBER
INS-2321-07