

Standard Installation

ARTISTAR INTEGRAL

LED ANCHOR BASE - 10W



Flammable



Warning







High Voltage



Hot Surface

TOOLS NEEDED:

-  3/16" & 5/64" Allen Wrench
-  Waterproof Wire Connectors
-  Drill Bit and Drill
-  Mounting Hardware

INSTRUCTIONS PERTAINING TO A RISK OF FIRE, OR INJURY TO PERSONS IMPORTANT SAFETY INSTRUCTIONS

Lighted fixture is HOT!

WARNING - To reduce the risk of FIRE OR INJURY TO PERSONS:

Turn off/unplug and allow to cool before replacing lamp/LED. Fixture gets HOT quickly! Contact only switch/plug when turning on. Do not touch hot lens, guard, or enclosure. Keep fixture away from materials that may burn. Do not operate the luminaire fitting with a missing or damaged shield. Do not touch the source at any time. Use a soft cloth or gloves. Oil from skin may cause damage.

SAVE THESE INSTRUCTIONS

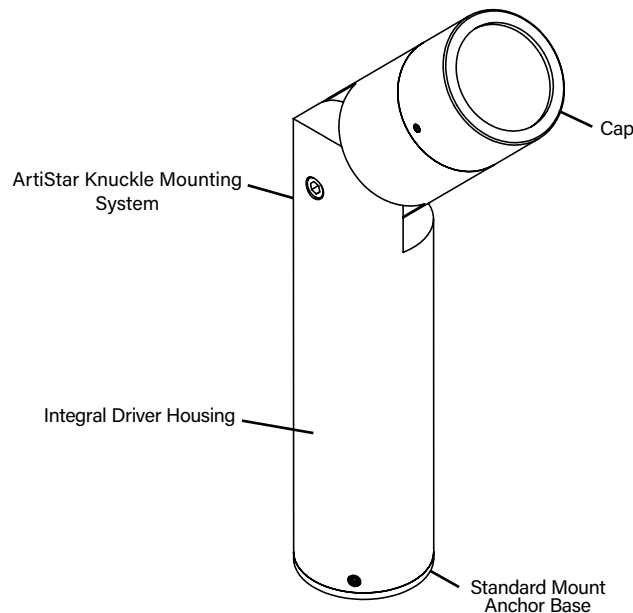
IMPORTANT SAFETY INFORMATION - READ, FOLLOW, AND SAVE ALL SAFETY AND INSTALLATION INSTRUCTIONS

- Product must be installed by a qualified person in a manner consistent with its intended use and in compliance with the National Electrical Code, Canadian Electrical Code, and all Local and Provincial Codes.
- Follow product label information and instructions.
- Qualified Personnel with appropriate personal protective equipment must perform all servicing of this product.
- Before wiring to power supply and during servicing, turn off and lock out power at fuse or circuit breaker before service.
- The use of accessory equipment not recommended by the manufacturer or installed contrary to instructions may cause an unsafe condition. The use of damaged components may cause an unsafe condition and void product warranty.
- Do not block light emanating from product in whole or part, as this may cause an unsafe condition.
- Never operate the fixture with missing or damaged lens. Lens must be cleaned on regular basis.
- Entire fixture may become extremely hot. Do not touch hot lens or fixture body.
- Replace LED assembly only with correct wattage and type of power supply appropriate for LED assembly.
- All gaskets, o-rings and sealing surfaces must be kept clean during installation and service; failure to do this may cause an unsafe condition and void product warranty.

IMPORTANT LISTINGS AND CERTIFICATIONS

- Suitable for wet locations • Additionally suitable for mounting within 4 ft. of the ground

Proper soil preparation is recommended before installation. See the DIG-IT guide at <https://www.bklighting.com/wp-content/uploads/2024/09/digit.pdf> for more information.



IMPORTANT SAFETY INFORMATION - READ, FOLLOW, AND SAVE THESE INSTALLATION INSTRUCTIONS

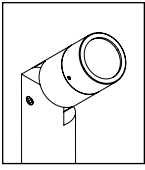
B-K LIGHTING

40429 Brickyard Drive • Madera, CA 93636 • USA
559.438.5800 • FAX 559.438.5900
www.bklighting.com • info@bklighting.com

RELEASE DATE
07/24/2023

REFERENCE NUMBER
INS-2119-00

THIS DOCUMENT CONTAINS PROPRIETARY INFORMATION OF B-K LIGHTING, INC. AND ITS RECEIPT OR POSSESSION DOES NOT CONVEY ANY RIGHTS TO REPRODUCE, DISCLOSE ITS CONTENTS, OR TO MANUFACTURE, USE OR SELL ANYTHING IT MAY DESCRIBE. REPRODUCTION, DISCLOSURE OR USE WITHOUT SPECIFIC WRITTEN AUTHORIZATION OF B-K LIGHTING, INC. IS STRICTLY FORBIDDEN.

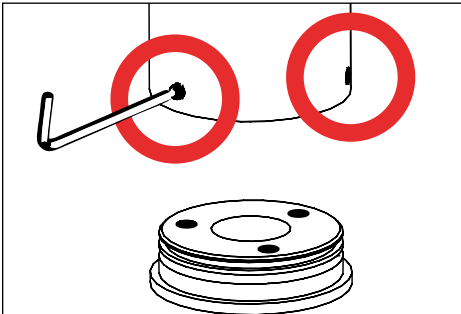


Standard Installation

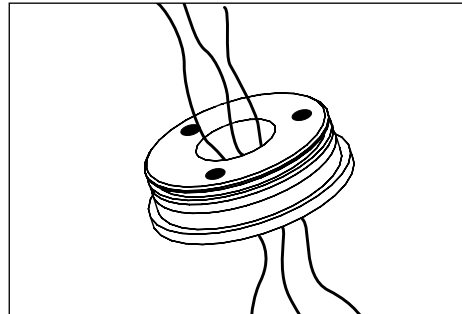
ARTISTAR INTEGRAL

LED ANCHOR BASE - 10W

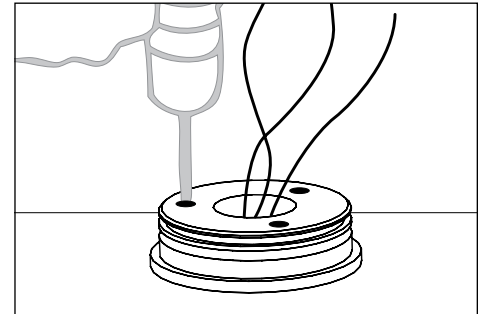
Fixture Installation



1. Study anchor base plan. Prepare mounting surface for anchor base.
2. Use a 5/64" allen wrench to loosen three (3) #8-32 stainless steel set screws (do not remove stainless steel set screws from fixture base). Remove anchor base from bottom of fixture.

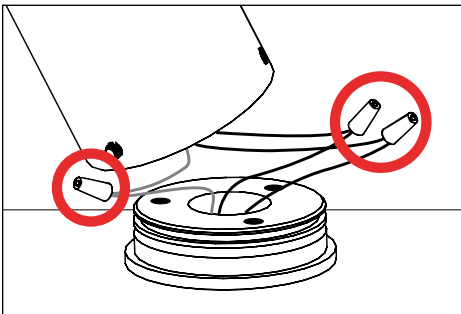


3. Pull branch circuit wiring necessary for installation. Feed branch circuit wiring through anchor base.

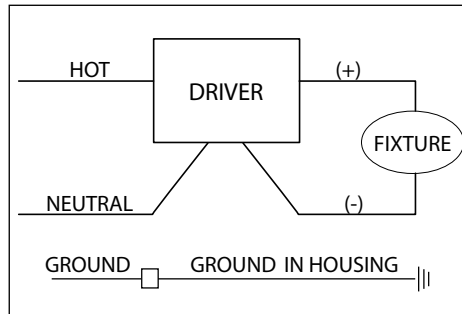


4. Secure anchor base to solid surface (i.e. wood, concrete) using appropriate hardware for specific surface.

⚠ Seal base to surface as per NEC.

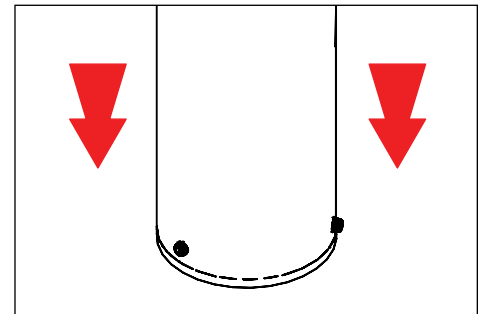


5. Make watertight connections using waterproof wire connectors to connect primary branch circuit wiring to primary driver side. Connect incoming ground to ground wire provided in fixture body. See wiring diagram.

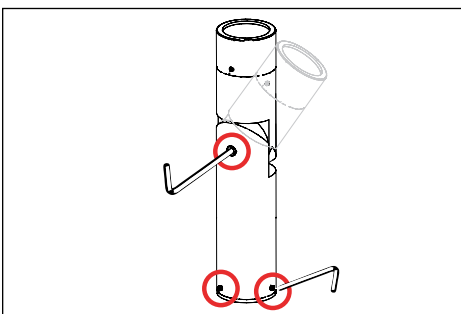


WIRING DIAGRAM

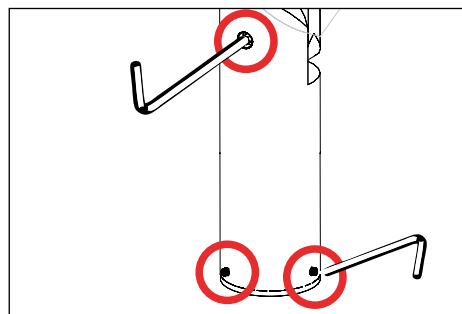
⚠ All line voltage connections must be made in compliance with the National Electrical Code. Failure to do so will void warranty.



6. Place fixture onto mounted anchor base and press straight down until the two pieces are flush with each other.



7. Use a 3/16" allen wrench to slightly loosen 1/4"-28 stainless steel black oxide socket head cap screw at the knuckle for vertical aiming purposes. Rotate fixture at base and aim fixture to desired horizontal location.



8. Tighten the three (3) #8-32 stainless steel set screws on anchor base and 1/4"-28 stainless steel locking screw at the knuckle to secure all aiming positions.

**IMPORTANT SAFETY INFORMATION LISTED ON REVERSE
READ, FOLLOW, AND SAVE ALL SAFETY AND INSTALLATION INSTRUCTIONS**

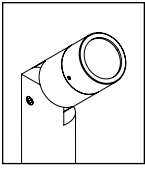


B-K LIGHTING

40429 Brickyard Drive • Madera, CA 93636 • USA
559.438.5800 • FAX 559.438.5900
www.bklighting.com • info@bklighting.com

RELEASE DATE
07/24/2023

REFERENCE NUMBER
INS-2119-00



Standard Installation

ARTISTAR INTEGRAL

LED POWER PIPE - 10W



Flammable



Warning



High Voltage



Hot Surface

TOOLS NEEDED:

- 3/16" & 5/64" Allen Wrench
- Waterproof Wire Connectors
- Phillips Screwdriver

INSTRUCTIONS PERTAINING TO A RISK OF FIRE, OR INJURY TO PERSONS IMPORTANT SAFETY INSTRUCTIONS

Lighted fixture is HOT!

WARNING - To reduce the risk of FIRE OR INJURY TO PERSONS:

Turn off/unplug and allow to cool before replacing lamp/LED. Fixture gets HOT quickly! Contact only switch/plug when turning on. Do not touch hot lens, guard, or enclosure. Keep fixture away from materials that may burn. Do not operate the luminaire fitting with a missing or damaged shield. Do not touch the source at any time. Use a soft cloth or gloves. Oil from skin may cause damage.

SAVE THESE INSTRUCTIONS

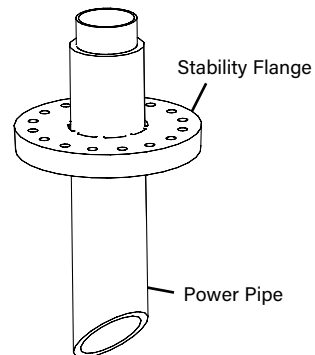
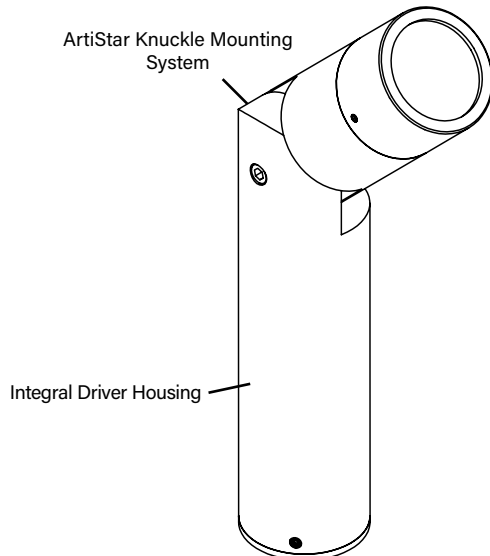
IMPORTANT SAFETY INFORMATION - READ, FOLLOW, AND SAVE ALL SAFETY AND INSTALLATION INSTRUCTIONS

- Product must be installed by a qualified person in a manner consistent with its intended use and in compliance with the National Electrical Code, Canadian Electrical Code, and all Local and Provincial Codes.
- Follow product label information and instructions.
- Qualified Personnel with appropriate personal protective equipment must perform all servicing of this product.
- Before wiring to power supply and during servicing, turn off and lock out power at fuse or circuit breaker before service.
- The use of accessory equipment not recommended by the manufacturer or installed contrary to instructions may cause an unsafe condition. The use of damaged components may cause an unsafe condition and void product warranty.
- Do not block light emanating from product in whole or part, as this may cause an unsafe condition.
- Never operate the fixture with missing or damaged lens. Lens must be cleaned on regular basis.
- Entire fixture may become extremely hot. Do not touch hot lens or fixture body.
- Replace LED assembly only with correct wattage and type of power supply appropriate for LED assembly.
- All gaskets, o-rings and sealing surfaces must be kept clean during installation and service; failure to do this may cause an unsafe condition and void product warranty.

IMPORTANT LISTINGS AND CERTIFICATIONS

- Suitable for wet locations • Additionally suitable for mounting within 4 ft. of the ground

Proper soil preparation is recommended before installation. See the DIG-IT guide at www.bklighting.com/collaterals/install/digit.pdf for more information.



IMPORTANT SAFETY INFORMATION - READ, FOLLOW, AND SAVE THESE INSTALLATION INSTRUCTIONS

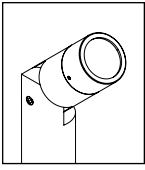
B-K LIGHTING

40429 Brickyard Drive • Madera, CA 93636 • USA
559.438.5800 • FAX 559.438.5900
www.bklighting.com • info@bklighting.com

RELEASE DATE
07/24/2023

REFERENCE NUMBER
INS-2120-00

THIS DOCUMENT CONTAINS PROPRIETARY INFORMATION OF B-K LIGHTING, INC. AND ITS RECEIPT OR POSSESSION DOES NOT CONVEY ANY RIGHTS TO REPRODUCE, DISCLOSE ITS CONTENTS, OR TO MANUFACTURE, USE OR SELL ANYTHING IT MAY DESCRIBE. REPRODUCTION, DISCLOSURE OR USE WITHOUT SPECIFIC WRITTEN AUTHORIZATION OF B-K LIGHTING, INC. IS STRICTLY FORBIDDEN.



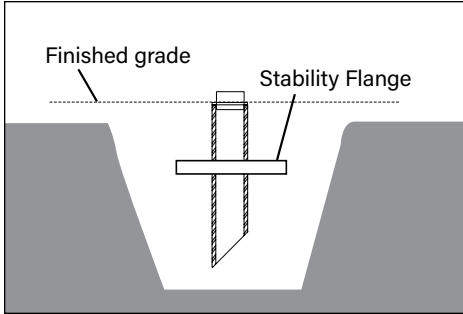
Standard Installation

ARTISTAR INTEGRAL

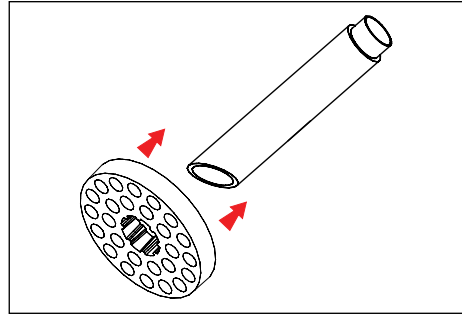
LED POWER PIPE - 10W

DRIVER HOUSING MUST BE INSTALLED ABOVE GRADE. POWER PIPE IS LABELED AT GRADE LEVEL. DRIVER HOUSING INSTALLED BELOW GRADE WILL VOID WARRANTY

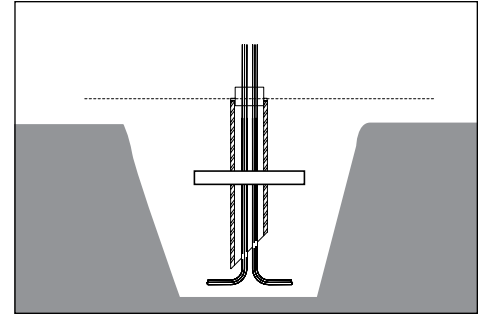
Power Pipe Mounting Option



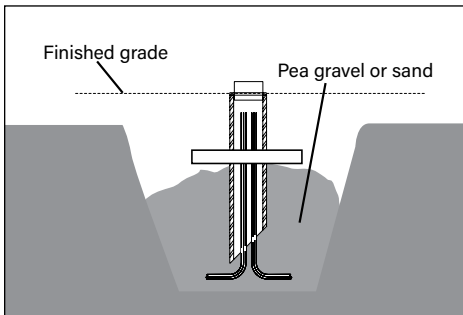
1. Excavate trench according to designed lighting plan. Dig hole a minimum of 18" deep and 10" wide to accommodate power pipe at desired fixture location(s).



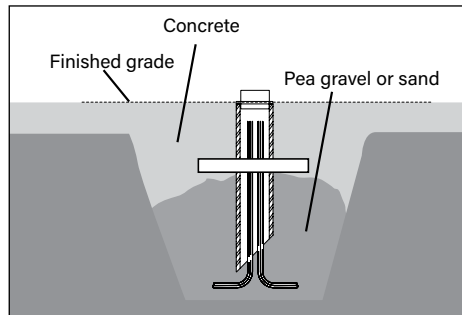
2. Slide optional stability flange onto power pipe. Use optional stability flange to aid in installation of power pipe.



3. Pull branch circuit wires necessary for installation through power pipe. Allow for additional cable to make connections to fixture lead and future service. Place Power Pipe in hole. **Do not cut PVC.**

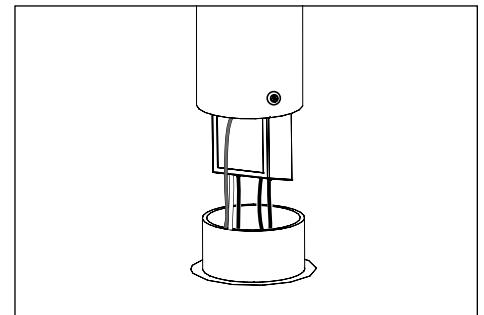


4. Back fill with pea gravel or sand prior to pour.

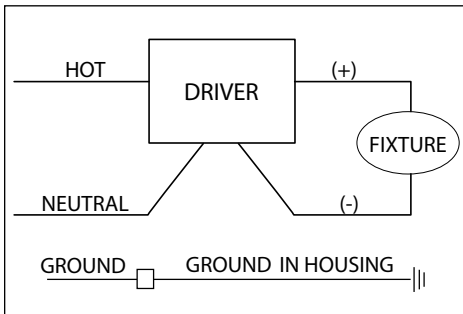


5. Pour concrete.

⚠ Label on power pipe indicates installation depth with finished grade.

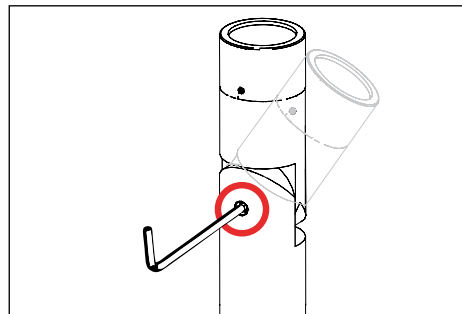


6. Use waterproof wire connectors to connect driver primary leads to branch circuit wires. Connect incoming ground to ground wire provided in fixture body. **See wiring diagram.**

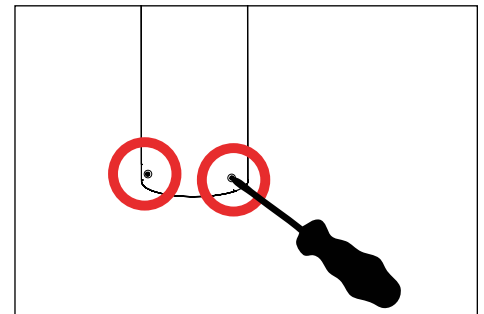


WIRING DIAGRAM

⚠ All line voltage connections must be made in compliance with the National Electrical Code. Failure to do so will void warranty.



7. Insert wires, connectors and driver into fixture base and attach to power pipe. To aim fixture, use a 3/16" allen wrench to slightly loosen 1/4"-28 stainless steel black oxide socket head screw at the knuckle for vertical aiming purposes. Rotate fixture to aim to desired horizontal location.



8. Tighten three (3) #8-32 stainless steel round head Phillips screws at base and 1/4"-28 stainless steel black oxide socket head screw at the knuckle to secure all aiming positions.

**IMPORTANT SAFETY INFORMATION LISTED ON REVERSE
READ, FOLLOW, AND SAVE ALL SAFETY AND INSTALLATION INSTRUCTIONS**

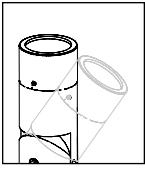


B-K LIGHTING

40429 Brickyard Drive • Madera, CA 93636 • USA
559.438.5800 • FAX 559.438.5900
www.bklighting.com • info@bklighting.com

RELEASE DATE
07/24/2023

REFERENCE NUMBER
INS-2120-00



Standard Adjustment





Warning



Hot Surface

TOOLS NEEDED:

-  3/16" & 5/64" Allen wrench
-  Phillips Screwdriver

INSTRUCTIONS PERTAINING TO A RISK OF FIRE, OR INJURY TO PERSONS IMPORTANT SAFETY INSTRUCTIONS

Lighted fixture is HOT!

WARNING - To reduce the risk of FIRE OR INJURY TO PERSONS:

Turn off/unplug and allow to cool before replacing lamp/LED. Fixture gets HOT quickly! Contact only switch/plug when turning on. Do not touch hot lens, guard, or enclosure. Keep fixture away from materials that may burn. Do not operate the luminaire fitting with a missing or damaged shield. Do not touch the source at any time. Use a soft cloth or gloves. Oil from skin may cause damage.

SAVE THESE INSTRUCTIONS

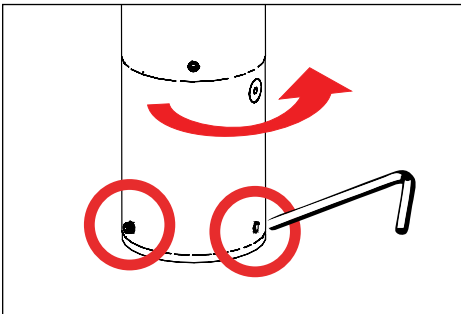
IMPORTANT SAFETY INFORMATION - READ, FOLLOW, AND SAVE ALL SAFETY AND INSTALLATION INSTRUCTIONS

- Product must be installed by a qualified person in a manner consistent with its intended use and in compliance with the National Electrical Code, Canadian Electrical Code, and all Local and Provincial Codes.
- Follow product label information and instructions.
- Qualified Personnel with appropriate personal protective equipment must perform all servicing of this product.
- Before wiring to power supply and during servicing, turn off and lock out power at fuse or circuit breaker before service.
- The use of accessory equipment not recommended by the manufacturer or installed contrary to instructions may cause an unsafe condition. The use of damaged components may cause an unsafe condition and void product warranty.
- Do not block light emanating from product in whole or part, as this may cause an unsafe condition.
- Never operate the fixture with missing or damaged lens. Lens must be cleaned on regular basis.
- Entire fixture may become extremely hot. Do not touch hot lens or fixture body.
- Replace LED assembly only with correct wattage and type of power supply appropriate for LED assembly.
- All gaskets, o-rings and sealing surfaces must be kept clean during installation and service; failure to do this may cause an unsafe condition and void product warranty.

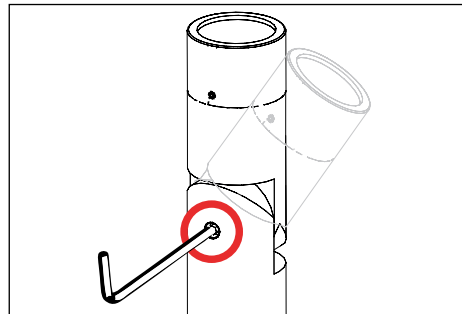
IMPORTANT LISTINGS AND CERTIFICATIONS

- Suitable for wet locations • Additionally suitable for mounting within 4 ft. of the ground

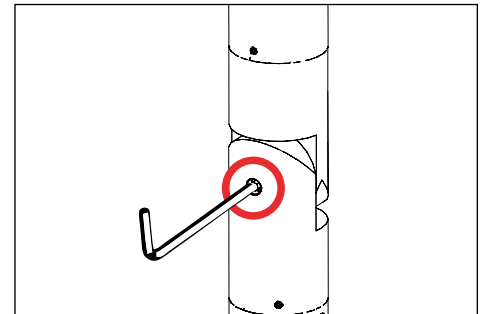
ArtiStar Knuckle - Standard Anchor Base Option



1. Use a 5/64" allen wrench to loosen (3) #8-32 stainless steel set screws on fixture base. Rotate fixture at base and aim fixture to desired horizontal location.

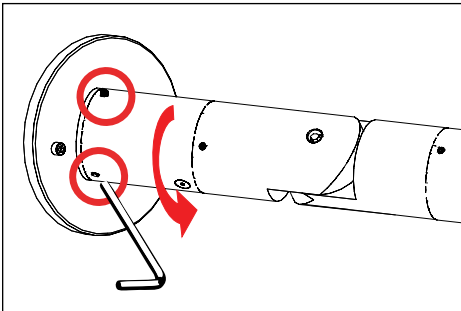


2. Use a 3/16" allen wrench to slightly loosen 1/4"-28 stainless steel black oxide socket head cap screw at the knuckle for vertical aiming purposes.

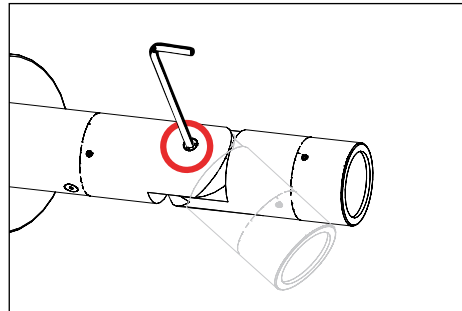


3. Tighten the three (3) #8-32 screws on base with appropriate tool for mounting method and stainless steel locking screw at the knuckle to secure all aiming positions.

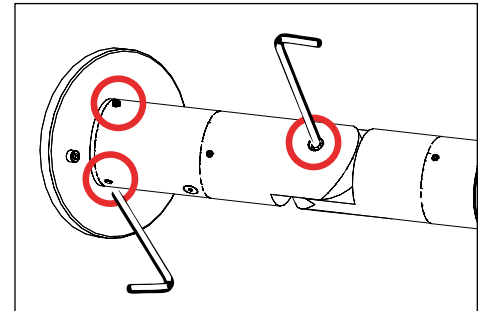
ArtiStar Knuckle - Wall Mount Option



1. Use a 5/64" allen wrench to loosen three (3) #8-32 stainless steel set screws on fixture base. Rotate fixture at base and aim fixture to desired horizontal location.



2. Use a 3/16" allen wrench to slightly loosen 1/4"-28 stainless steel black oxide socket head cap screw at the knuckle for vertical aiming purposes.



3. Tighten the three (3) #8-32 screws on base with appropriate tool for mounting method and stainless steel locking screw at the knuckle to secure all aiming positions.

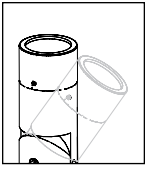
IMPORTANT SAFETY INFORMATION - READ, FOLLOW, AND SAVE THESE INSTALLATION INSTRUCTIONS

B-K LIGHTING

40429 Brickyard Drive • Madera, CA 93636 • USA
559.438.5800 • FAX 559.438.5900
www.bklighting.com • info@bklighting.com

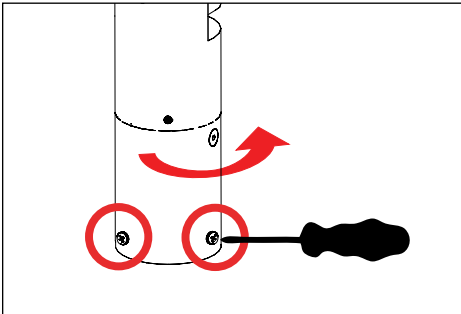
RELEASE DATE
07/24/2023

REFERENCE NUMBER
INS-2098-00

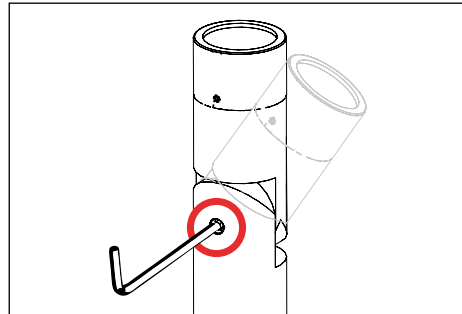


Standard Adjustment

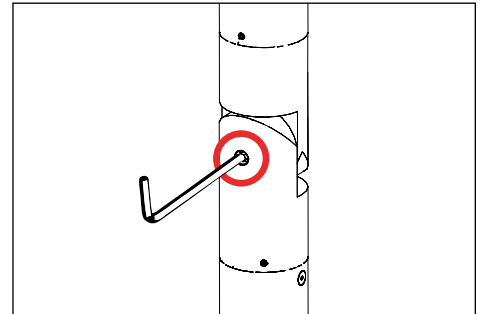
ArtiStar Knuckle - Power Pipe Option



1. Use phillips screwdriver to loosen three (3) #8-32 stainless steel round head phillips screws at base. Rotate fixture at base and aim fixture to desired horizontal location.



2. Use a 3/16" allen wrench to slightly loosen 1/4"-28 stainless steel black oxide socket head cap screw at the knuckle for vertical aiming purposes.



3. Tighten the three (3) #8-32 screws on base with appropriate tool for mounting method and stainless steel locking screw at the knuckle to secure all aiming positions.

**IMPORTANT SAFETY INFORMATION LISTED ON REVERSE
READ, FOLLOW, AND SAVE ALL SAFETY AND INSTALLATION INSTRUCTIONS**

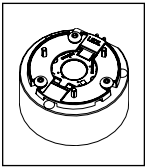


B-K LIGHTING

40429 Brickyard Drive • Madera, CA 93636 • USA
559.438.5800 • FAX 559.438.5900
www.bklighting.com • info@bklighting.com

RELEASE DATE
07/24/2023

REFERENCE NUMBER
INS-2098-00



LED BOARD/OPTICS

CHIP ON BOARD TECHNOLOGY (x52-x54)

Standard Installation Replacement



Flammable



Warning



High Voltage



Hot Surface

TOOLS
NEEDED:

.050" & 5/64" Allen Wrench

INSTRUCTIONS PERTAINING TO A RISK OF FIRE, OR INJURY TO PERSONS IMPORTANT SAFETY INSTRUCTIONS

Lighted fixture is HOT!

**WARNING - To reduce the risk of
FIRE OR INJURY TO PERSONS:**

Turn off/unplug and allow to cool before replacing lamp/LED. Fixture gets HOT quickly! Contact only switch/plug when turning on. Do not touch hot lens, guard, or enclosure. Keep fixture away from materials that may burn. Do not operate the luminaire fitting with a missing or damaged shield. Do not touch the source at any time. Use a soft cloth or gloves. Oil from skin may cause damage.

SAVE THESE INSTRUCTIONS

IMPORTANT SAFETY INFORMATION - READ, FOLLOW, AND SAVE ALL SAFETY AND INSTALLATION INSTRUCTIONS

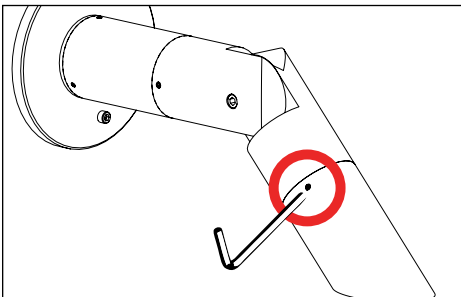
- Product must be installed by a qualified person in a manner consistent with its intended use and in compliance with the National Electrical Code, Canadian Electrical Code, and all Local and Provincial Codes.
- Follow product label information and instructions.
- Qualified Personnel with appropriate personal protective equipment must perform all servicing of this product.
- Before wiring to power supply and during servicing, turn off and lock out power at fuse or circuit breaker before service.
- The use of accessory equipment not recommended by the manufacturer or installed contrary to instructions may cause an unsafe condition. The use of damaged components may cause an unsafe condition and void product warranty.
- Do not block light emanating from product in whole or part, as this may cause an unsafe condition.
- Never operate the fixture with missing or damaged lens. Lens must be cleaned on regular basis.
- Entire fixture may become extremely hot. Do not touch hot lens or fixture body.
- Replace LED assembly only with correct wattage and type of power supply appropriate for LED assembly.
- All gaskets, o-rings and sealing surfaces must be kept clean during installation and service; failure to do this may cause an unsafe condition and void product warranty.

IMPORTANT LISTINGS AND CERTIFICATIONS

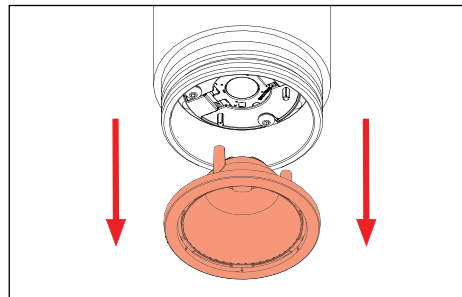
- Suitable for wet locations



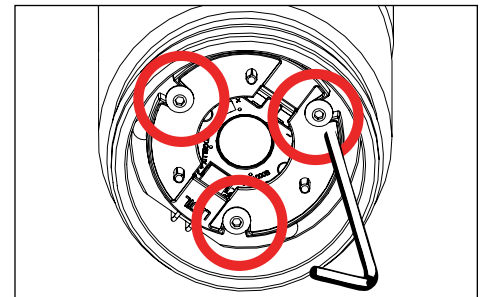
This product is available with field replaceable components. Exclusive interchangeable modular LED components with quick disconnects simplifies upgrades and maintenance when necessary.



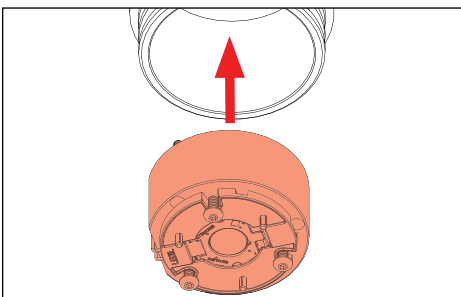
1. Use a 5/64" allen wrench to slightly loosen three (3) #8-32 stainless steel set screws to remove cap.



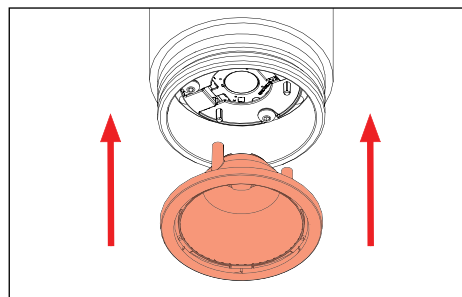
2. Remove optic by pulling gently and lift up.



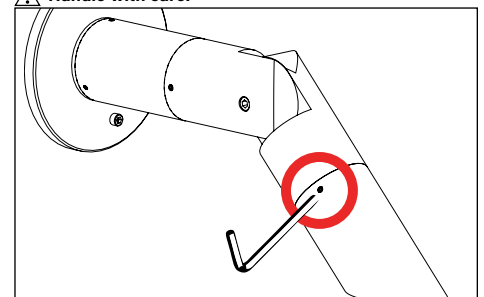
3. Use a .050" allen wrench to loosen three (3) set screws holding LED assembly. Gently lift LED assembly from fixture.



4. Install new LED assembly. Assembly can only connect in one direction. Secure set screws using a .050" allen wrench.



5. Replace optic by lining notches with optic holder, then pressing down gently until secured into place.



6. Place cap on fixture and tighten #8-32 set screws with a 5/64" allen wrench. Top of screws should sit flush with fixture cap.

Warning: Do not over tighten set screws. Doing so will compromise o-ring seal and will void warranty. Cap should be able to rotate without force.

IMPORTANT SAFETY INFORMATION - READ, FOLLOW, AND SAVE THESE INSTALLATION INSTRUCTIONS

B-K LIGHTING

40429 Brickyard Drive • Madera, CA 93636 • USA
559.438.5800 • FAX 559.438.5900
www.bklighting.com • info@bklighting.com

RELEASE DATE
07/24/2023

REFERENCE NUMBER
INS000012