

ARTISTAR

GU10 - STANDARD ANCHOR BASE

Standard Installation



Flammable



Warning







High Voltage



Hot Surface

TOOLS NEEDED:

-  3/16" and 5/64" Allen Wrench
-  Waterproof Wire Connectors
-  Drill bit and Drill
-  Mounting Hardware

INSTRUCTIONS PERTAINING TO A RISK OF FIRE, OR INJURY TO PERSONS IMPORTANT SAFETY INSTRUCTIONS

Lighted fixture is HOT!

WARNING - To reduce the risk of FIRE OR INJURY TO PERSONS:

Turn off/unplug and allow to cool before replacing lamp/LED. Fixture gets HOT quickly! Contact only switch/plug when turning on. Do not touch hot lens, guard, or enclosure. Keep fixture away from materials that may burn. Do not operate the luminaire fitting with a missing or damaged shield. Do not touch the source at any time. Use a soft cloth or gloves. Oil from skin may cause damage.

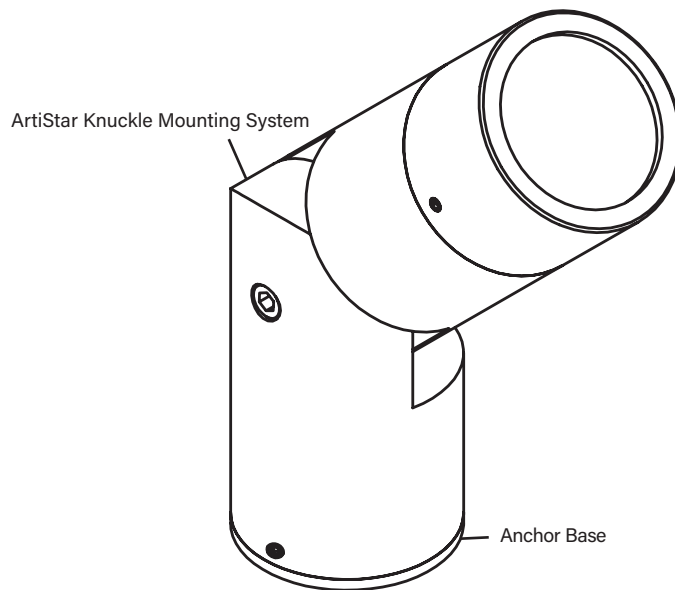
SAVE THESE INSTRUCTIONS

IMPORTANT SAFETY INFORMATION - READ, FOLLOW, AND SAVE ALL SAFETY AND INSTALLATION INSTRUCTIONS

- Product must be installed by a qualified person in a manner consistent with its intended use and in compliance with the National Electrical Code, Canadian Electrical Code, and all Local and Provincial Codes.
- Follow product label information and instructions.
- Qualified Personnel with appropriate personal protective equipment must perform all servicing of this product.
- Before wiring to power supply and during servicing, turn off and lock out power at fuse or circuit breaker before service.
- The use of accessory equipment not recommended by the manufacturer or installed contrary to instructions may cause an unsafe condition. The use of damaged components may cause an unsafe condition and void product warranty.
- Do not block light emanating from product in whole or part, as this may cause an unsafe condition.
- Never operate the fixture with missing or damaged lens. Lens must be cleaned on regular basis.
- Entire fixture may become extremely hot. Do not touch hot lens or fixture body.
- Replace LED assembly only with correct wattage and type of power supply appropriate for LED assembly.
- All gaskets, o-rings and sealing surfaces must be kept clean during installation and service; failure to do this may cause an unsafe condition and void product warranty.

IMPORTANT LISTINGS AND CERTIFICATIONS

- Suitable for wet locations • Additionally suitable for mounting within 4 ft. of the ground



IMPORTANT SAFETY INFORMATION - READ, FOLLOW, AND SAVE THESE INSTALLATION INSTRUCTIONS

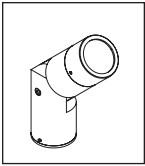
B-K LIGHTING

40429 Brickyard Drive • Madera, CA 93636 • USA
 559.438.5800 • FAX 559.438.5900
 www.bklighting.com • info@bklighting.com

RELEASE DATE
 08/23/2023

REFERENCE NUMBER
 INS-1318-00

THIS DOCUMENT CONTAINS PROPRIETARY INFORMATION OF B-K LIGHTING, INC. AND ITS RECEIPT OR POSSESSION DOES NOT CONVEY ANY RIGHTS TO REPRODUCE, DISCLOSE ITS CONTENTS, OR TO MANUFACTURE, USE OR SELL ANYTHING IT MAY DESCRIBE. REPRODUCTION, DISCLOSURE OR USE WITHOUT SPECIFIC WRITTEN AUTHORIZATION OF B-K LIGHTING, INC. IS STRICTLY FORBIDDEN.

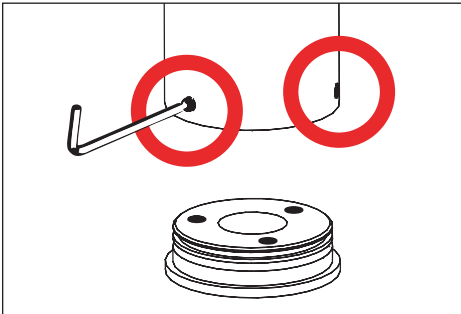


Standard Installation

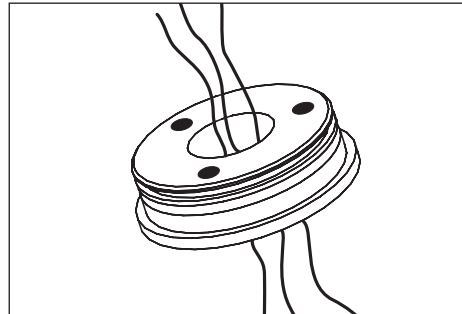
ARTISTAR

GU10 - STANDARD ANCHOR BASE

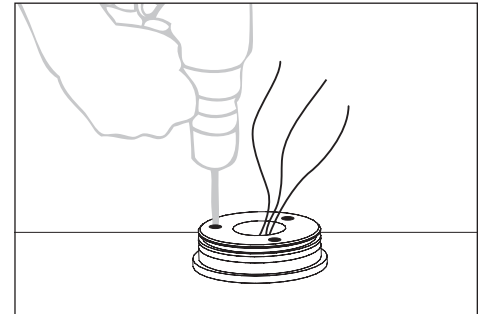
Fixture Installation



1. Study anchor base plan. Prepare mounting surface for anchor base.
2. Use a 5/64" allen wrench loosen three (3) #8-32 stainless steel set screws (**do not remove set screws from fixture base**). Remove anchor base from bottom of fixture.

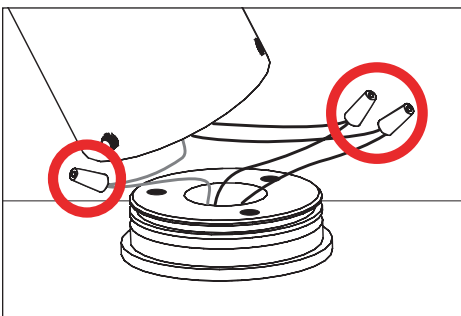


3. Pull branch circuit wiring necessary for installation. Feed branch circuit wiring through anchor base.

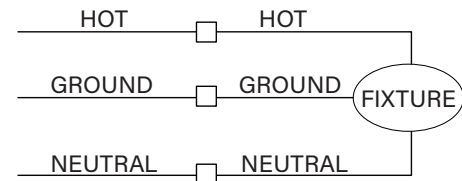


4. Secure anchor base to solid surface (i.e. wood, concrete) using appropriate hardware for specific surface.

⚠ Seal base to surface as per NEC.

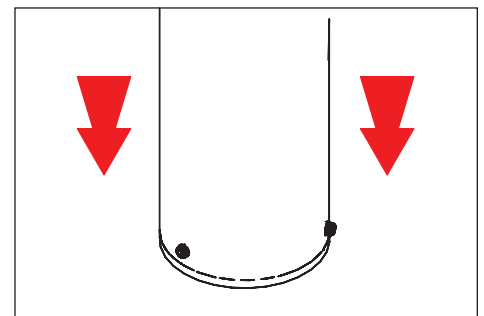


5. Make two line voltage connections using proper wire connectors (not included). Connect incoming ground wire to ground wire provided in fixture body. **See wiring diagram.**

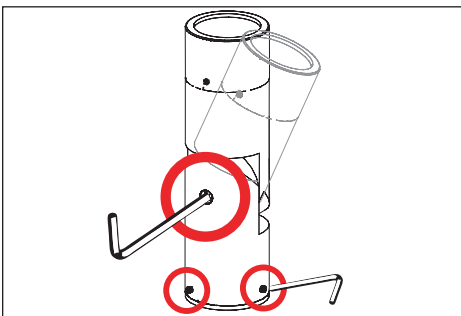


WIRING DIAGRAM

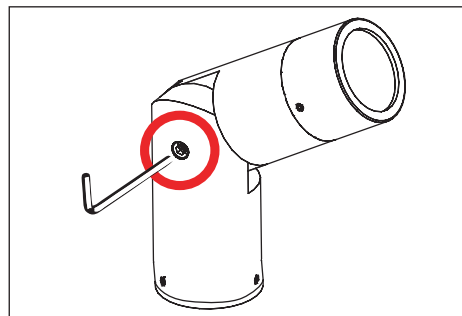
⚠ All line voltage connections must be made in compliance with the National Electrical Code. Failure to do so will void warranty.



6. Place fixture onto mounted anchor base and press straight down until the two pieces are flush with each other.



7. Use a 3/16" allen wrench to slightly loosen 1/4"-28 stainless steel black oxide socket head cap screw at the knuckle for vertical aiming purposes. Use a 5/64" allen wrench to loosen the three (3) #8-32 stainless steel set screws on anchor base. Rotate fixture at base and aim fixture to desired horizontal location.



8. Tighten the three (3) #8-32 stainless steel set screws on anchor base and 1/4"-28 stainless steel locking screw at the knuckle to secure all aiming positions.

**IMPORTANT SAFETY INFORMATION LISTED ON REVERSE
READ, FOLLOW, AND SAVE ALL SAFETY AND INSTALLATION INSTRUCTIONS**

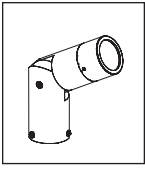


B-K LIGHTING

40429 Brickyard Drive • Madera, CA 93636 • USA
559.438.5800 • FAX 559.438.5900
www.bklighting.com • info@bklighting.com

RELEASE DATE
08/23/2023

REFERENCE NUMBER
INS-1318-00



ARTISTAR GU10 - POWER PIPE

Standard Installation



Flammable



Warning



High Voltage



Hot Surface

TOOLS NEEDED:

- 3/16" and 5/64" Allen Wrench
- Waterproof Wire Connectors
- Phillips Screwdriver

INSTRUCTIONS PERTAINING TO A RISK OF FIRE, OR INJURY TO PERSONS IMPORTANT SAFETY INSTRUCTIONS

Lighted fixture is HOT!

WARNING - To reduce the risk of FIRE OR INJURY TO PERSONS:

Turn off/unplug and allow to cool before replacing lamp/LED. Fixture gets HOT quickly! Contact only switch/plug when turning on. Do not touch hot lens, guard, or enclosure. Keep fixture away from materials that may burn. Do not operate the luminaire fitting with a missing or damaged shield. Do not touch the source at any time. Use a soft cloth or gloves. Oil from skin may cause damage.

SAVE THESE INSTRUCTIONS

IMPORTANT SAFETY INFORMATION - READ, FOLLOW, AND SAVE ALL SAFETY AND INSTALLATION INSTRUCTIONS

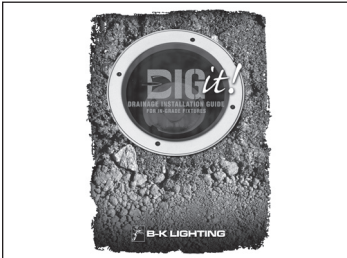
- Product must be installed by a qualified person in a manner consistent with its intended use and in compliance with the National Electrical Code, Canadian Electrical Code, and all Local and Provincial Codes.
- Follow product label information and instructions.
- Qualified Personnel with appropriate personal protective equipment must perform all servicing of this product.
- Before wiring to power supply and during servicing, turn off and lock out power at fuse or circuit breaker before service.
- The use of accessory equipment not recommended by the manufacturer or installed contrary to instructions may cause an unsafe condition. The use of damaged components may cause an unsafe condition and void product warranty.
- Do not block light emanating from product in whole or part, as this may cause an unsafe condition.
- Never operate the fixture with missing or damaged lens. Lens must be cleaned on regular basis.
- Entire fixture may become extremely hot. Do not touch hot lens or fixture body.
- Replace LED assembly only with correct wattage and type of power supply appropriate for LED assembly.
- All gaskets, o-rings and sealing surfaces must be kept clean during installation and service; failure to do this may cause an unsafe condition and void product warranty.

IMPORTANT LISTINGS AND CERTIFICATIONS

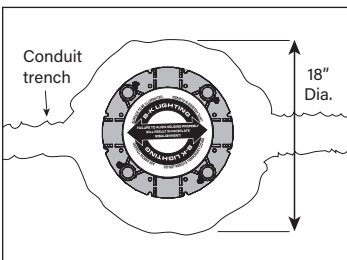
- Suitable for wet locations • Additionally suitable for mounting within 4 ft. of the ground

Proper soil preparation is recommended before installation. See the DIG-IT guide at <https://www.bklighting.com/wp-content/uploads/2024/09/digit.pdf> for more information.

Soil Prep

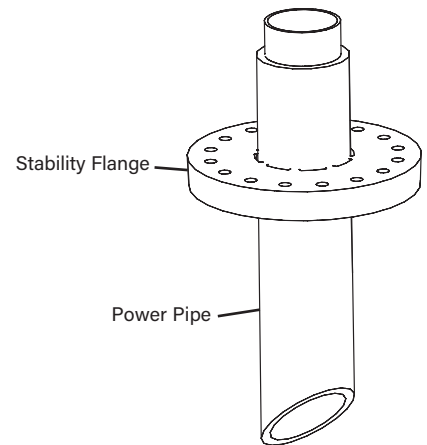
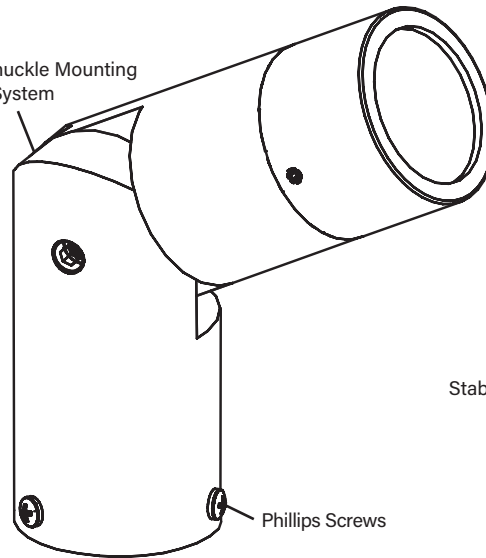


- A. Determine Soil Type by referencing DIG-IT Guide. Prep soil according to DIG-IT Guide.



- B. Excavate a hole to the necessary dimensions for fixture placement and conduit runs.

ArtiStar Knuckle Mounting System



IMPORTANT SAFETY INFORMATION - READ, FOLLOW, AND SAVE THESE INSTALLATION INSTRUCTIONS

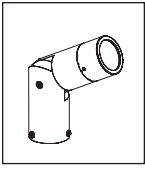
B-K LIGHTING

40429 Brickyard Drive • Madera, CA 93636 • USA
559.438.5800 • FAX 559.438.5900
www.bklighting.com • info@bklighting.com

RELEASE DATE
08/23/2023

REFERENCE NUMBER
INS-1318-00

THIS DOCUMENT CONTAINS PROPRIETARY INFORMATION OF B-K LIGHTING, INC. AND ITS RECEIPT OR POSSESSION DOES NOT CONVEY ANY RIGHTS TO REPRODUCE, DISCLOSE ITS CONTENTS, OR TO MANUFACTURE, USE OR SELL ANYTHING IT MAY DESCRIBE. REPRODUCTION, DISCLOSURE OR USE WITHOUT SPECIFIC WRITTEN AUTHORIZATION OF B-K LIGHTING, INC. IS STRICTLY FORBIDDEN.

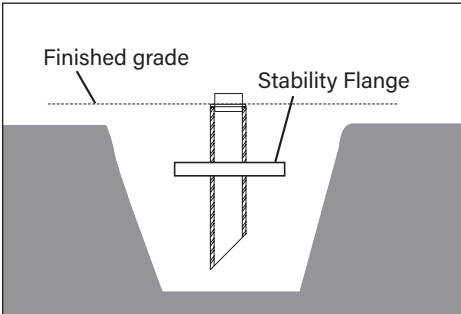


Standard Installation

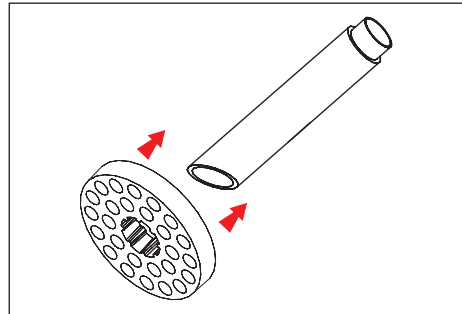
ARTISTAR

GU10 - POWER PIPE

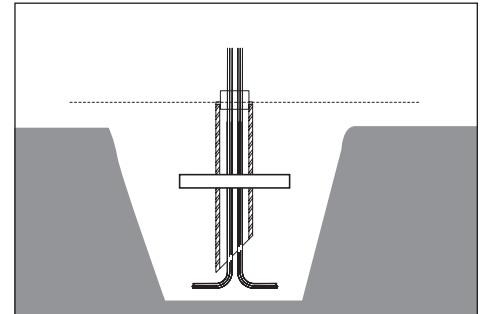
Power Pipe Mounting Option



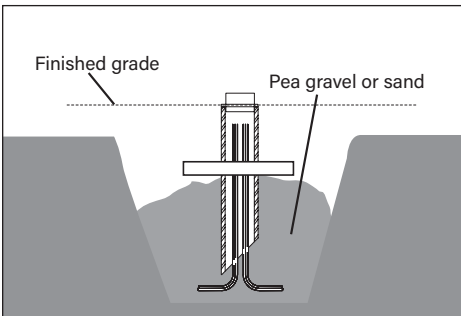
1. Excavate trench according to designed lighting plan. Dig hole a minimum of 18" deep and 10" wide to accommodate power pipe at desired fixture location(s).



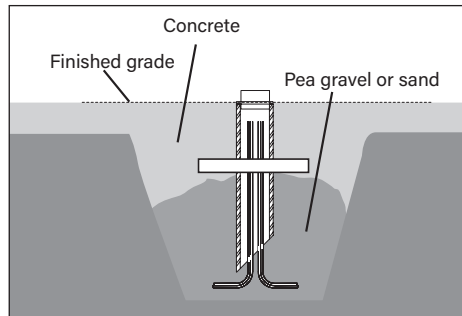
2. Slide stability flange onto power pipe. Use optional stability flange to aid in installation of power pipe.



3. Pull primary branch circuit wiring to power pipe. Allow for additional length to make connections to fixture leads and for future service. Place power pipe in hole.

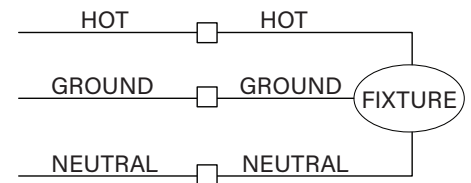


4. Back fill with pea gravel or sand prior to pour.



5. Pour concrete.

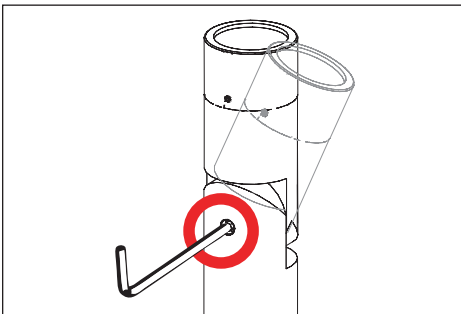
⚠ Label on power pipe indicates installation depth with finished grade.



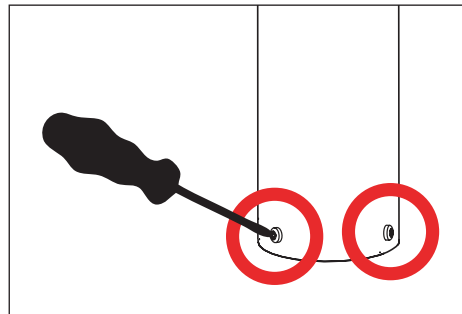
WIRING DIAGRAM

6. Make watertight connections using waterproof wire connectors (not included). Connect incoming ground wire to ground wire provided in fixture body. **See wiring diagram.**

⚠ All line voltage connections must be made in compliance with the National Electrical Code. Failure to do so will void warranty.



7. Insert wires and connectors into fixture base and attach to power pipe. To aim fixture, use a 3/16" allen wrench to slightly loosen 1/4"-28 stainless steel black oxide socket head screw at the knuckle for vertical aiming purposes. Use phillips screwdriver to loosen the three (3) #8-32 stainless steel round head phillips screws. Rotate fixture to aim to desired horizontal location.



8. Tighten three (3) #8-32 stainless steel round head phillips screws at base and 1/4"-28 stainless steel black oxide socket head screw at the knuckle to secure all aiming positions.

**IMPORTANT SAFETY INFORMATION LISTED ON REVERSE
READ, FOLLOW, AND SAVE ALL SAFETY AND INSTALLATION INSTRUCTIONS**

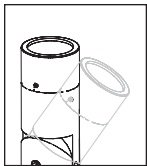


B-K LIGHTING

40429 Brickyard Drive • Madera, CA 93636 • USA
559.438.5800 • FAX 559.438.5900
www.bklighting.com • info@bklighting.com

RELEASE DATE
08/23/2023

REFERENCE NUMBER
INS-1318-00



Standard Adjustment





Warning



Hot Surface

TOOLS NEEDED:

-  3/16" & 5/64" Allen wrench
-  Phillips Screwdriver

INSTRUCTIONS PERTAINING TO A RISK OF FIRE, OR INJURY TO PERSONS IMPORTANT SAFETY INSTRUCTIONS

Lighted fixture is HOT!

WARNING - To reduce the risk of FIRE OR INJURY TO PERSONS:

Turn off/unplug and allow to cool before replacing lamp/LED. Fixture gets HOT quickly! Contact only switch/plug when turning on. Do not touch hot lens, guard, or enclosure. Keep fixture away from materials that may burn. Do not operate the luminaire fitting with a missing or damaged shield. Do not touch the source at any time. Use a soft cloth or gloves. Oil from skin may cause damage.

SAVE THESE INSTRUCTIONS

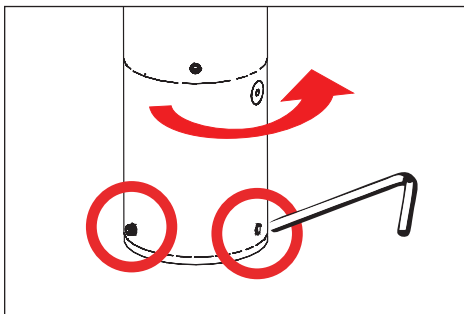
IMPORTANT SAFETY INFORMATION - READ, FOLLOW, AND SAVE ALL SAFETY AND INSTALLATION INSTRUCTIONS

- Product must be installed by a qualified person in a manner consistent with its intended use and in compliance with the National Electrical Code, Canadian Electrical Code, and all Local and Provincial Codes.
- Follow product label information and instructions.
- Qualified Personnel with appropriate personal protective equipment must perform all servicing of this product.
- Before wiring to power supply and during servicing, turn off and lock out power at fuse or circuit breaker before service.
- The use of accessory equipment not recommended by the manufacturer or installed contrary to instructions may cause an unsafe condition. The use of damaged components may cause an unsafe condition and void product warranty.
- Do not block light emanating from product in whole or part, as this may cause an unsafe condition.
- Never operate the fixture with missing or damaged lens. Lens must be cleaned on regular basis.
- Entire fixture may become extremely hot. Do not touch hot lens or fixture body.
- Replace LED assembly only with correct wattage and type of power supply appropriate for LED assembly.
- All gaskets, o-rings and sealing surfaces must be kept clean during installation and service; failure to do this may cause an unsafe condition and void product warranty.

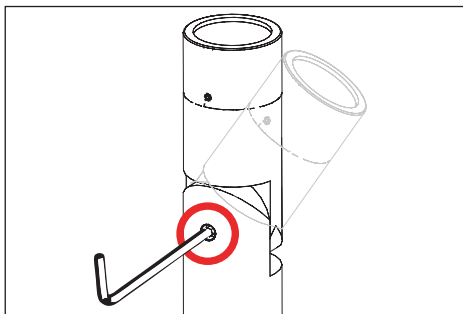
IMPORTANT LISTINGS AND CERTIFICATIONS

- Suitable for wet locations • Additionally suitable for mounting within 4 ft. of the ground

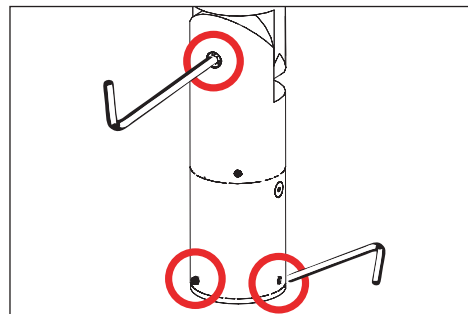
ArtiStar Knuckle - Standard Anchor Base Option



1. Use a 5/64" allen wrench to loosen (3) #8-32 stainless steel set screws on fixture base. Rotate fixture at base and aim fixture to desired horizontal location.

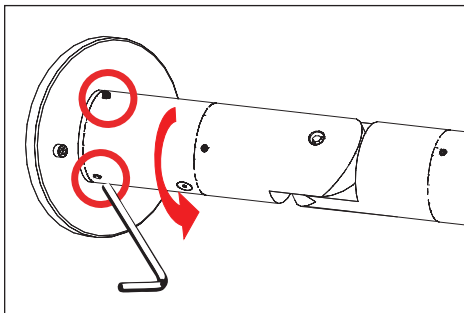


2. Use a 3/16" allen wrench to slightly loosen 1/4"-28 stainless steel black oxide socket head cap screw at the knuckle for vertical aiming purposes.

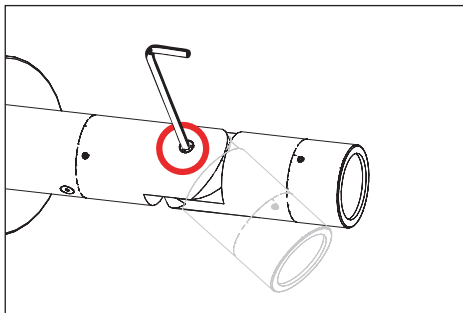


3. Tighten the three (3) #8-32 screws on base with appropriate tool for mounting method and stainless steel locking screw at the knuckle to secure all aiming positions.

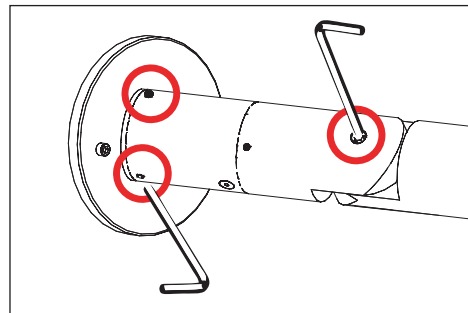
ArtiStar Knuckle - Wall Mount Option



1. Use a 5/64" allen wrench to loosen three (3) #8-32 stainless steel set screws on fixture base. Rotate fixture at base and aim fixture to desired horizontal location.



2. Use a 3/16" allen wrench to slightly loosen 1/4"-28 stainless steel black oxide socket head cap screw at the knuckle for vertical aiming purposes.



3. Tighten the three (3) #8-32 screws on base with appropriate tool for mounting method and stainless steel locking screw at the knuckle to secure all aiming positions.

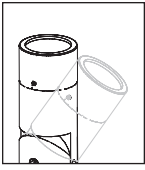
IMPORTANT SAFETY INFORMATION - READ, FOLLOW, AND SAVE THESE INSTALLATION INSTRUCTIONS

B-K LIGHTING

40429 Brickyard Drive • Madera, CA 93636 • USA
559.438.5800 • FAX 559.438.5900
www.bklighting.com • info@bklighting.com

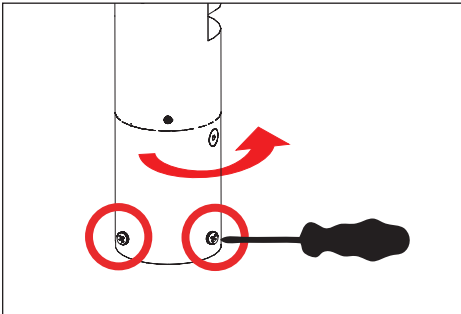
RELEASE DATE
08/23/2023

REFERENCE NUMBER
INS-2098-00

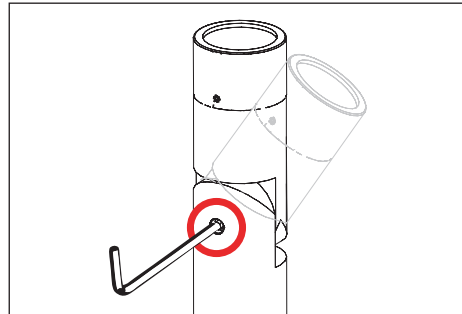


Standard Adjustment

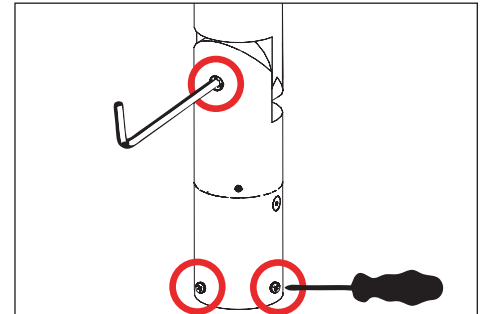
ArtiStar Knuckle - Power Pipe Option



1. Use phillips screwdriver to loosen three (3) #8-32 stainless steel round head phillips screws at base. Rotate fixture at base and aim fixture to desired horizontal location.



2. Use a 3/16" allen wrench to slightly loosen 1/4"-28 stainless steel black oxide socket head cap screw at the knuckle for vertical aiming purposes.



3. Tighten the three (3) #8-32 screws on base with appropriate tool for mounting method and stainless steel locking screw at the knuckle to secure all aiming positions.

**IMPORTANT SAFETY INFORMATION LISTED ON REVERSE
READ, FOLLOW, AND SAVE ALL SAFETY AND INSTALLATION INSTRUCTIONS**

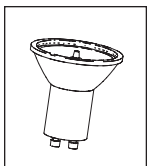


B-K LIGHTING

40429 Brickyard Drive • Madera, CA 93636 • USA
559.438.5800 • FAX 559.438.5900
www.bklighting.com • info@bklighting.com

RELEASE DATE
08/23/2023

REFERENCE NUMBER
INS-2098-00



Lamp Installation



Flammable



Warning



High Voltage



Hot Surface

**TOOLS
NEEDED:**

➤ 5/64" Allen wrench

**INSTRUCTIONS PERTAINING TO
A RISK OF FIRE, OR INJURY
TO PERSONS IMPORTANT SAFETY
INSTRUCTIONS**

Lighted fixture is HOT!

**WARNING - To reduce the risk of
FIRE OR INJURY TO PERSONS:**

Turn off/unplug and allow to cool before replacing lamp/LED. Fixture gets HOT quickly! Contact only switch/plug when turning on. Do not touch hot lens, guard, or enclosure. Keep fixture away from materials that may burn. Do not operate the luminaire fitting with a missing or damaged shield. Do not touch the source at any time. Use a soft cloth or gloves. Oil from skin may cause damage.

SAVE THESE INSTRUCTIONS

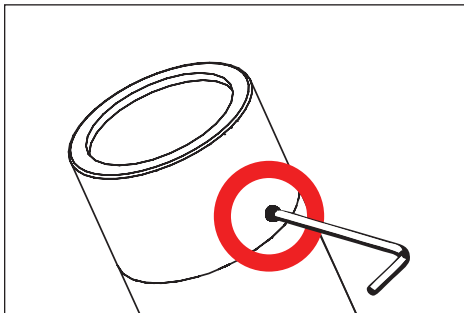
**IMPORTANT SAFETY INFORMATION - READ, FOLLOW, AND SAVE ALL
SAFETY AND INSTALLATION INSTRUCTIONS**

- Product must be installed by a qualified person in a manner consistent with its intended use and in compliance with the National Electrical Code, Canadian Electrical Code, and all Local and Provincial Codes.
- Follow product label information and instructions.
- Qualified Personnel with appropriate personal protective equipment must perform all servicing of this product.
- Before wiring to power supply and during servicing, turn off and lock out power at fuse or circuit breaker before service.
- The use of accessory equipment not recommended by the manufacturer or installed contrary to instructions may cause an unsafe condition. The use of damaged components may cause an unsafe condition and void product warranty.
- Do not block light emanating from product in whole or part, as this may cause an unsafe condition.
- Never operate the fixture with missing or damaged lens. Lens must be cleaned on regular basis.
- Entire fixture may become extremely hot. Do not touch hot lens or fixture body.
- Replace LED assembly only with correct wattage and type of power supply appropriate for LED assembly.
- All gaskets, o-rings and sealing surfaces must be kept clean during installation and service; failure to do this may cause an unsafe condition and void product warranty.

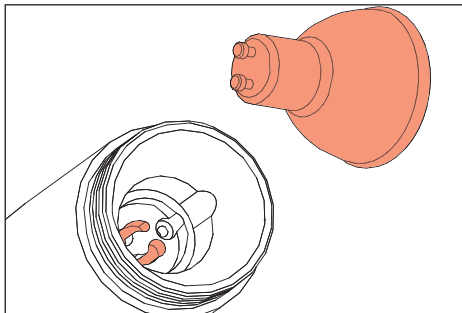
IMPORTANT LISTINGS AND CERTIFICATIONS

- Suitable for wet locations • Additionally suitable for mounting within 4 ft. of the ground

Lamp Installation or Re-Lamping if Required for GU10 Lamps (LED Lamps Only)

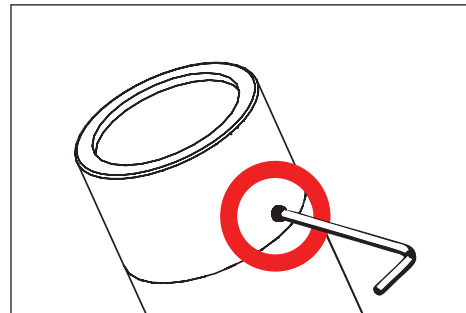


1. Use a 5/64" allen wrench to loosen #8-32 stainless set screws and remove cap.



2. Firmly insert lamp pins into socket, twist gently until lamp locks into place to make connection.

⚠ **Do not exceed the maximum wattage listed on the fixture label before installing. LED Lamps Only.**



3. Place cap on fixture and tighten set screw. Tighten screw to 1/2 in-lbs. Top of screws should sit flush with fixture cap.

⚠ **Warning: Do not over tighten set screw. Doing so will compromise o-ring seal and will void warranty.**

**IMPORTANT SAFETY INFORMATION - READ, FOLLOW, AND SAVE THESE INSTALLATION
INSTRUCTIONS**

B-K LIGHTING

40429 Brickyard Drive • Madera, CA 93636 • USA
559.438.5800 • FAX 559.438.5900
www.bklighting.com • info@bklighting.com

RELEASE DATE
08/23/2023

REFERENCE NUMBER
INS000010