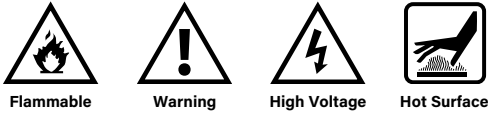


*Standard Installation*



<b>TOOLS NEEDED:</b>		Waterproof Wire Connectors
		Mounting Hardware
		Adjustable Crescent Wrench
		Torx 27 Tamper-Proof Wrench

**INSTRUCTIONS PERTAINING TO A RISK OF FIRE, OR INJURY TO PERSONS IMPORTANT SAFETY INSTRUCTIONS**

**Lighted fixture is HOT!**  
**WARNING - To reduce the risk of FIRE OR INJURY TO PERSONS:**  
Turn off/unplug and allow to cool before replacing lamp/LED. Fixture gets HOT quickly! Contact only switch/plug when turning on. Do not touch hot lens, guard, or enclosure. Keep fixture away from materials that may burn. Do not operate the luminaire fitting with a missing or damaged shield. Do not touch the source at any time. Use a soft cloth or gloves. Oil from skin may cause damage.

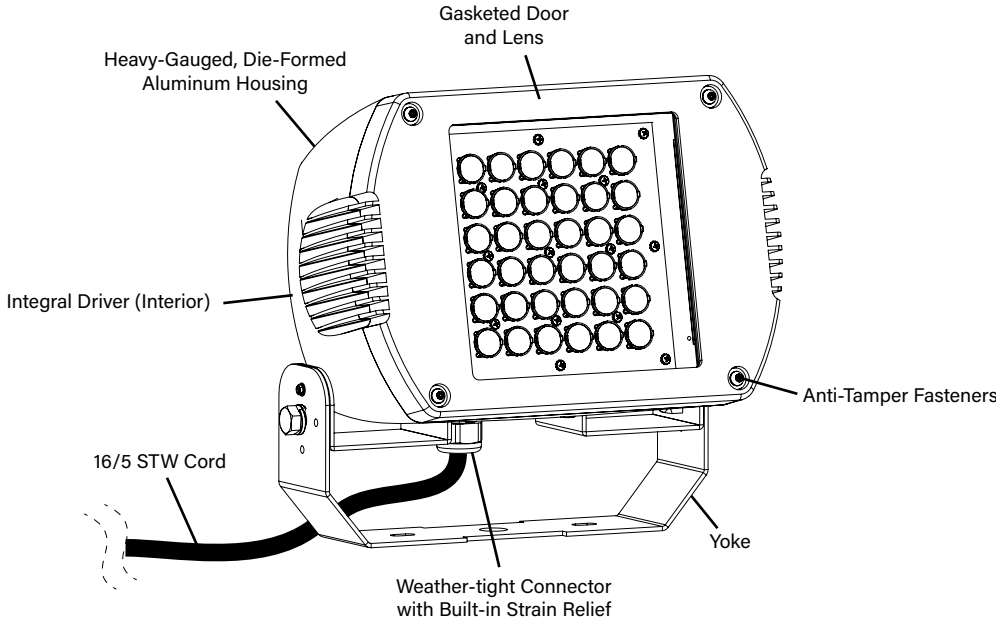
**SAVE THESE INSTRUCTIONS**

**IMPORTANT SAFETY INFORMATION - READ, FOLLOW, AND SAVE ALL SAFETY AND INSTALLATION INSTRUCTIONS**

- Product must be installed by a qualified person in a manner consistent with its intended use and in compliance with the National Electrical Code, Canadian Electrical Code, and all Local and Provincial Codes.
- Follow product label information and instructions.
- Qualified Personnel with appropriate personal protective equipment must perform all servicing of this product.
- Before wiring to power supply and during servicing, turn off and lock out power at fuse or circuit breaker before service.
- The use of accessory equipment not recommended by the manufacturer or installed contrary to instructions may cause an unsafe condition. The use of damaged components may cause an unsafe condition and void product warranty.
- Do not block light emanating from product in whole or part, as this may cause an unsafe condition.
- Never operate the fixture with missing or damaged lens. Lens must be cleaned on regular basis.
- Entire fixture may become extremely hot. Do not touch hot lens or fixture body.
- Replace LED assembly only with correct wattage and type of power supply appropriate for LED assembly.
- All gaskets, o-rings and sealing surfaces must be kept clean during installation and service; failure to do this may cause an unsafe condition and void product warranty.

**IMPORTANT LISTINGS AND CERTIFICATIONS**

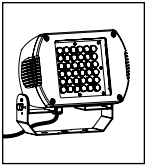
- Suitable for wet locations



**ALTAIR - YOKE MOUNT**

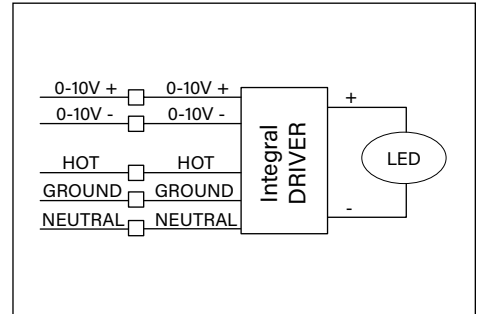
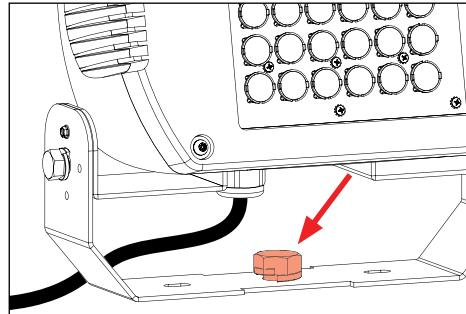
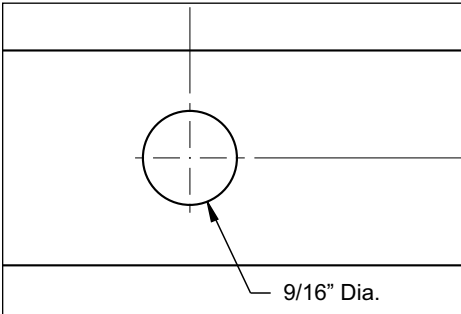
**IMPORTANT SAFETY INFORMATION - READ, FOLLOW, AND SAVE THESE INSTALLATION INSTRUCTIONS**

<b>B-K LIGHTING</b>	40429 Brickyard Drive • Madera, CA 93636 • USA 559.438.5800 • FAX 559.438.5900 www.bklighting.com • info@bklighting.com	RELEASE DATE 02/05/2024	REFERENCE NUMBER INS-2577-00
	<p><small>THIS DOCUMENT CONTAINS PROPRIETARY INFORMATION OF B-K LIGHTING, INC. AND ITS RECEIPT OR POSSESSION DOES NOT CONVEY ANY RIGHTS TO REPRODUCE, DISCLOSE ITS CONTENTS, OR TO MANUFACTURE, USE OR SELL ANYTHING IT MAY DESCRIBE. REPRODUCTION, DISCLOSURE OR USE WITHOUT SPECIFIC WRITTEN AUTHORIZATION OF B-K LIGHTING, INC. IS STRICTLY FORBIDDEN.</small></p>		



*Standard Installation*

**Yoke Mount Installation**



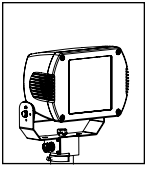
1. Prepare for installation for yoke location. Clearance hole is 9/16" diameter.
2. Line up fixture yoke to mounting location and secure with 3/4-10 hex bolt with adjustable crescent wrench.

**WIRING DIAGRAM**

3. Make watertight connections using waterproof wire connectors to connect incoming primary wiring to integral driver wiring as per NEC. Secondary side is factory wired. **See wiring diagram.**

**IMPORTANT SAFETY INFORMATION LISTED ON REVERSE  
READ, FOLLOW, AND SAVE ALL SAFETY AND INSTALLATION INSTRUCTIONS**





## Relamping Instructions



Flammable



Warning



High Voltage



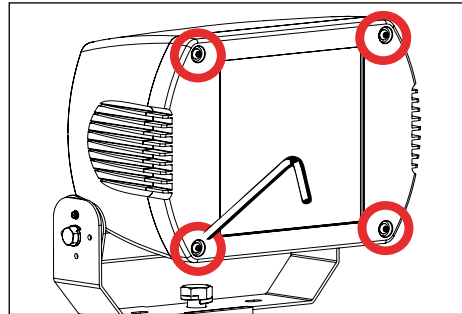
Hot Surface

### TOOLS NEEDED:

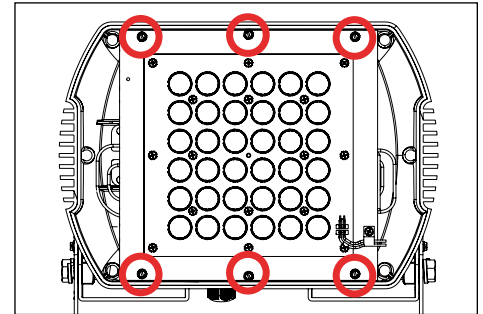
- Torx T27 Tamper Resistant Hex Bit
- 1/4 & 5/16 Nut Driver/Socket Wrench
- Phillips Screwdriver
- Flat Head Screwdriver

### IMPORTANT SAFETY INFORMATION - READ, FOLLOW, AND SAVE ALL SAFETY AND INSTALLATION INSTRUCTIONS

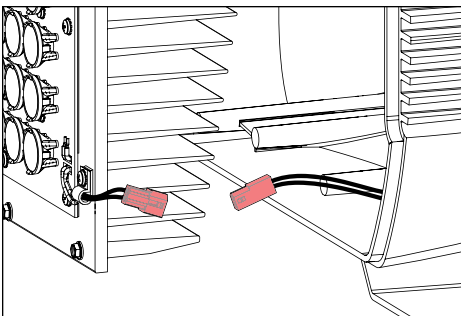
- Product must be installed by a qualified person in a manner consistent with its intended use and in compliance with the National Electrical Code, Canadian Electrical Code, and all Local and Provincial Codes.
- Follow product label information and instructions.
- Qualified Personnel must perform all servicing or relamping of this product.
- Before wiring to power supply and during servicing or relamping, turn off power at fuse or circuit breaker before service.



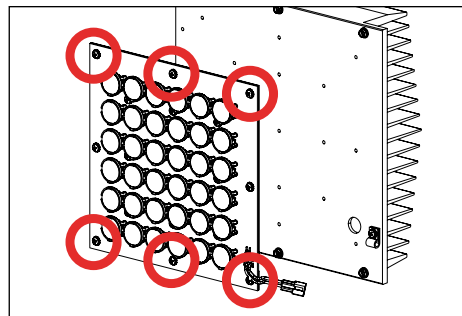
1. Remove faceplate by loosening four (4) tamper-resistant hex screws using a Torx T27 tamper resistant hex bit.



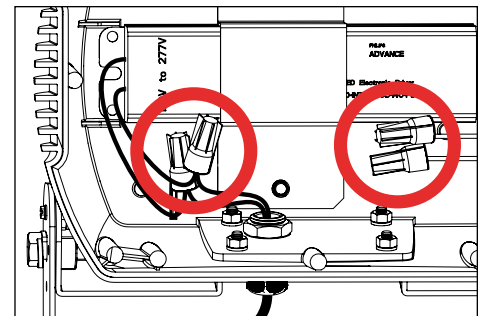
2. Prepare to remove LED board, thermal pad and heatsink by loosening six (6) #8-32 slotted screws using a 1/4 nut driver/socket wrench or a flat head screwdriver.



3. Use quick disconnect to disconnect heatsink and LED board from driver.

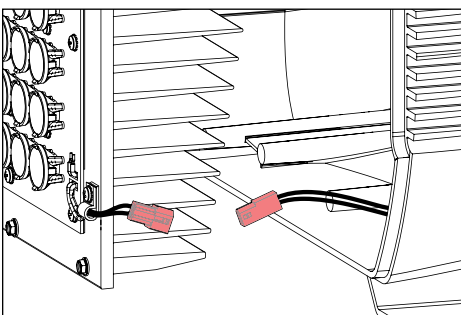


4. **If replacing LED board:** Remove LED board and thermal pad from heatsink by loosening sixteen (16) phillips screws using Phillips screwdriver. Line up new thermal pad and LED board on heatsink. Replace board and thermal pad on heatsink with thermal pad closest to heatsink, then reverse install.

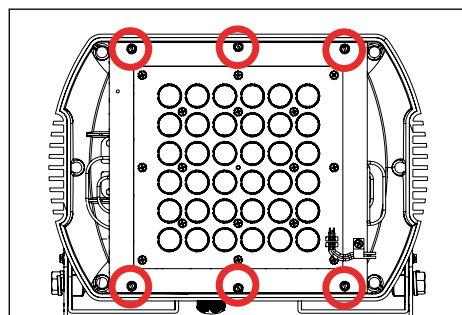


5. **If replacing LED driver:** Turn off branch circuit. Disconnect wire nuts from incoming primary to primary side of driver.  
6. Remove two (2) #10-24 hex nuts from driver bracket using a 5/16 nut driver with socket. Replace with new driver and reinstall driver bracket.

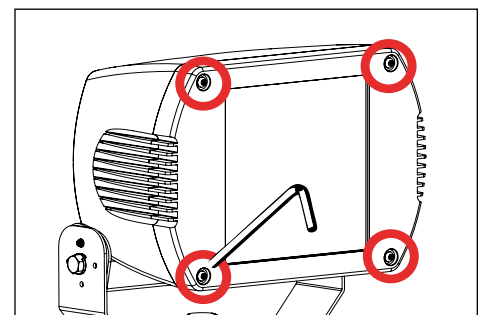
**⚠️ Connect incoming primary to driver primary leads for correct incoming voltage.**



7. Reconnect quick disconnect from driver secondary side to LED board assembly.



8. Secure LED board and heatsink by tightening six (6) #8-32 slotted screws using a 1/4 nut driver/socket wrench or flat head screw driver.



9. Replace faceplate by tightening four (4) tamper-resistant hex screws using a Torx T27 tamper resistant hex bit.

### IMPORTANT SAFETY INFORMATION - READ, FOLLOW, AND SAVE THESE INSTALLATION INSTRUCTIONS

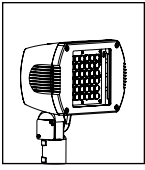
# B-K LIGHTING

40429 Brickyard Drive • Madera, CA 93636 • USA  
559.438.5800 • FAX 559.438.5900  
www.bklighting.com • info@bklighting.com

RELEASE DATE  
02/05/2024

REFERENCE NUMBER  
INS-2473-00

THIS DOCUMENT CONTAINS PROPRIETARY INFORMATION OF B-K LIGHTING, INC. AND ITS RECEIPT OR POSSESSION DOES NOT CONVEY ANY RIGHTS TO REPRODUCE, DISCLOSE ITS CONTENTS, OR TO MANUFACTURE, USE OR SELL ANYTHING IT MAY DESCRIBE. REPRODUCTION, DISCLOSURE OR USE WITHOUT SPECIFIC WRITTEN AUTHORIZATION OF B-K LIGHTING, INC. IS STRICTLY FORBIDDEN.



# ALTAIR KNUCKLE SLIPFITTER MOUNT

## Standard Installation



Flammable



Warning



High Voltage



Hot Surface

### TOOLS NEEDED:

- Waterproof Wire Connectors
- Mounting Hardware
- Adjustable Crescent Wrench
- 5/16" Socket Wrench

### INSTRUCTIONS PERTAINING TO A RISK OF FIRE, OR INJURY TO PERSONS IMPORTANT SAFETY INSTRUCTIONS

#### Lighted fixture is HOT!

#### WARNING - To reduce the risk of FIRE OR INJURY TO PERSONS:

Turn off/unplug and allow to cool before replacing lamp/LED. Fixture gets HOT quickly! Contact only switch/plug when turning on. Do not touch hot lens, guard, or enclosure. Keep fixture away from materials that may burn. Do not operate the luminaire fitting with a missing or damaged shield. Do not touch the source at any time. Use a soft cloth or gloves. Oil from skin may cause damage.

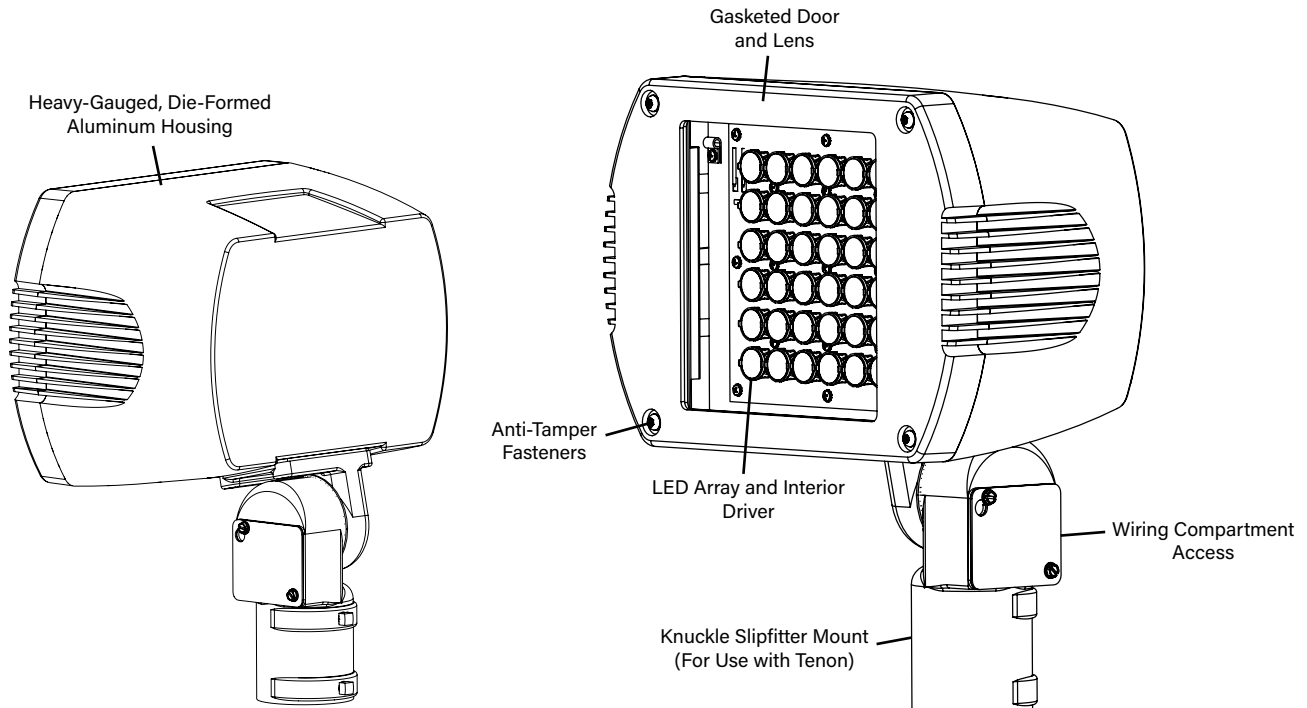
**SAVE THESE INSTRUCTIONS**

### IMPORTANT SAFETY INFORMATION - READ, FOLLOW, AND SAVE ALL SAFETY AND INSTALLATION INSTRUCTIONS

- Product must be installed by a qualified person in a manner consistent with its intended use and in compliance with the National Electrical Code, Canadian Electrical Code, and all Local and Provincial Codes.
- Follow product label information and instructions.
- Qualified Personnel with appropriate personal protective equipment must perform all servicing of this product.
- Before wiring to power supply and during servicing, turn off and lock out power at fuse or circuit breaker before service.
- The use of accessory equipment not recommended by the manufacturer or installed contrary to instructions may cause an unsafe condition. The use of damaged components may cause an unsafe condition and void product warranty.
- Do not block light emanating from product in whole or part, as this may cause an unsafe condition.
- Never operate the fixture with missing or damaged lens. Lens must be cleaned on regular basis.
- Entire fixture may become extremely hot. Do not touch hot lens or fixture body.
- Replace LED assembly only with correct wattage and type of power supply appropriate for LED assembly.
- All gaskets, o-rings and sealing surfaces must be kept clean during installation and service; failure to do this may cause an unsafe condition and void product warranty.

### IMPORTANT LISTINGS AND CERTIFICATIONS

- Suitable for wet locations



### ALTAIR - KNUCKLE SLIPFITTER MOUNT

### IMPORTANT SAFETY INFORMATION - READ, FOLLOW, AND SAVE THESE INSTALLATION INSTRUCTIONS

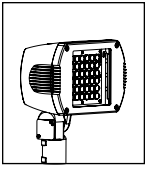
# B-K LIGHTING

40429 Brickyard Drive • Madera, CA 93636 • USA  
559.438.5800 • FAX 559.438.5900  
www.bklighting.com • info@bklighting.com

RELEASE DATE  
02/05/2024

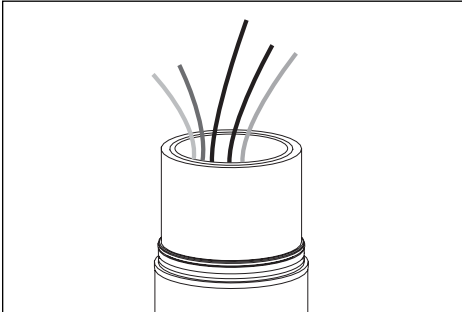
REFERENCE NUMBER  
INS-2567-00

THIS DOCUMENT CONTAINS PROPRIETARY INFORMATION OF B-K LIGHTING, INC. AND ITS RECEIPT OR POSSESSION DOES NOT CONVEY ANY RIGHTS TO REPRODUCE, DISCLOSE ITS CONTENTS, OR TO MANUFACTURE, USE OR SELL ANYTHING IT MAY DESCRIBE. REPRODUCTION, DISCLOSURE OR USE WITHOUT SPECIFIC WRITTEN AUTHORIZATION OF B-K LIGHTING, INC. IS STRICTLY FORBIDDEN.

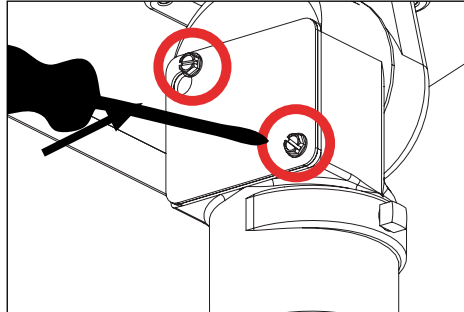


### Standard Installation

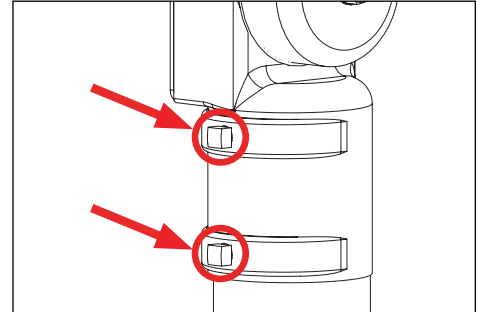
## Knuckle Slipfitter Installation



1. Install pole with standard 2" tenon mount (2-3/8" outer diameter) according to manufacturer's instructions (pole not included). Pull incoming primary branch circuit wiring and external dimming controls.

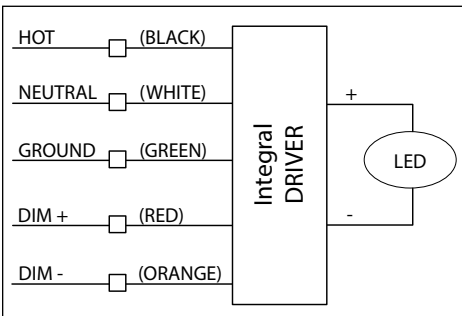


2. Remove wiring compartment access panel to knuckle wiring compartment by loosening two (2) screws using 5/16" socket wrench or flat head screw driver.



3. Fit fixture over pole tenon and ensure it is completely seated. Secure fixture to tenon by tightening two (2) 3/8"x16 stainless steel square screws using an adjustable crescent wrench.

**⚠ Access to wiring connections is through panel on slipfitter knuckle.**



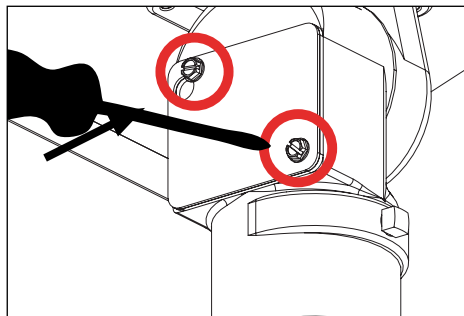
### WIRING DIAGRAM

4. Make watertight connections using waterproof wire connectors to connect incoming primary wiring to integral driver wiring as per NEC.

Connect incoming positive dimming control wiring to red dimming control lead from driver. Connect incoming negative dimming control wiring to orange dimming control lead from driver. Secondary side is factory wired.

**⚠ Place connections inside slipfitter knuckle wiring compartment.**

**⚠ All line voltage connections must be made in compliance with the National Electrical Code. Failure to do so will void warranty.**



5. Attach wiring compartment access panel to knuckle wiring compartment by tightening two (2) screws using a 5/16" socket wrench or flat head screwdriver.

**IMPORTANT SAFETY INFORMATION LISTED ON REVERSE  
READ, FOLLOW, AND SAVE ALL SAFETY AND INSTALLATION INSTRUCTIONS**

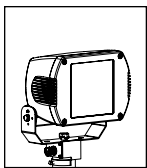


# B-K LIGHTING

40429 Brickyard Drive • Madera, CA 93636 • USA  
559.438.5800 • FAX 559.438.5900  
www.bklighting.com • info@bklighting.com

RELEASE DATE  
02/05/2024

REFERENCE NUMBER  
INS-2567-00



## Relamping Instructions



Flammable



Warning



High Voltage



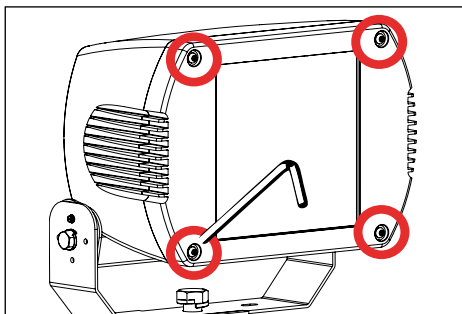
Hot Surface

### TOOLS NEEDED:

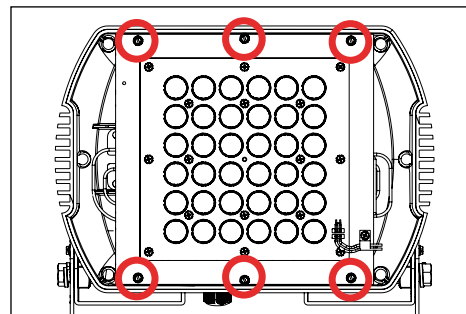
- Torx T27 Tamper Resistant Hex Bit
- 1/4 & 5/16 Nut Driver/Socket Wrench
- Phillips Screwdriver
- Flat Head Screwdriver

### IMPORTANT SAFETY INFORMATION - READ, FOLLOW, AND SAVE ALL SAFETY AND INSTALLATION INSTRUCTIONS

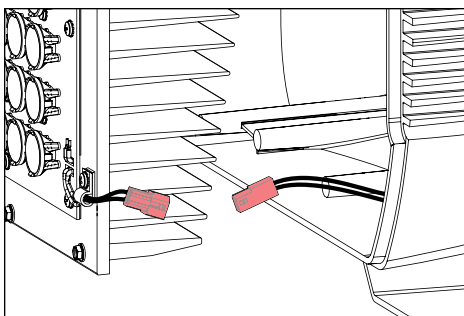
- Product must be installed by a qualified person in a manner consistent with its intended use and in compliance with the National Electrical Code, Canadian Electrical Code, and all Local and Provincial Codes.
- Follow product label information and instructions.
- Qualified Personnel must perform all servicing or relamping of this product.
- Before wiring to power supply and during servicing or relamping, turn off power at fuse or circuit breaker before service.



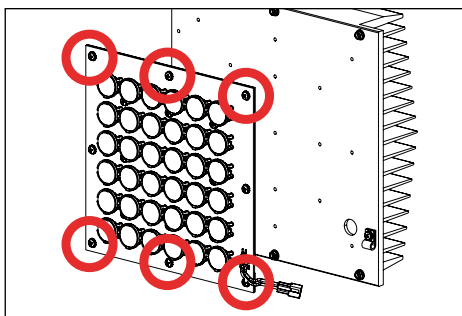
1. Remove faceplate by loosening four (4) tamper-resistant hex screws using a Torx T27 tamper resistant hex bit.



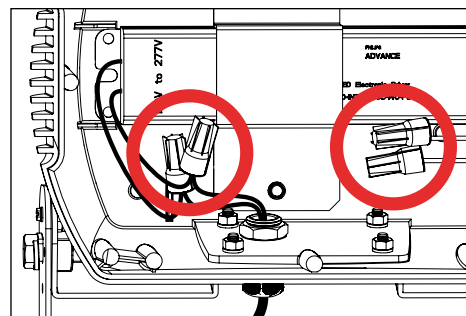
2. Prepare to remove LED board, thermal pad and heatsink by loosening six (6) #8-32 slotted screws using a 1/4 nut driver/socket wrench or a flat head screwdriver.



3. Use quick disconnect to disconnect heatsink and LED board from driver.

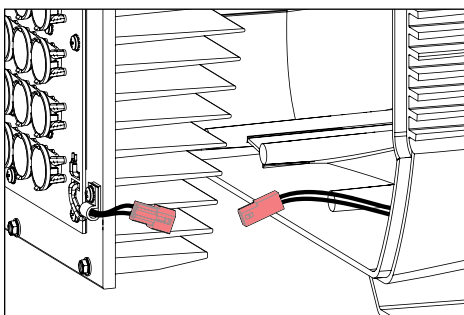


4. **If replacing LED board:** Remove LED board and thermal pad from heatsink by loosening sixteen (16) Phillips screws using Phillips screwdriver. Line up new thermal pad and LED board on heatsink. Replace board and thermal pad on heatsink with thermal pad closest to heatsink, then reverse install.

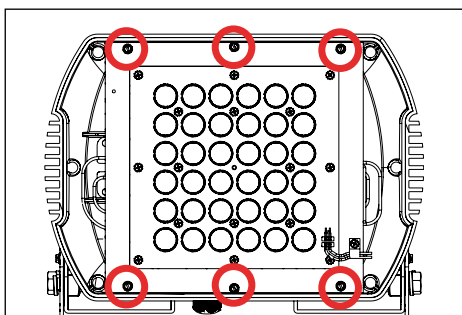


5. **If replacing LED driver:** Turn off branch circuit. Disconnect wire nuts from incoming primary to primary side of driver.  
6. Remove two (2) #10-24 hex nuts from driver bracket using a 5/16 nut driver with socket. Replace with new driver and reinstall driver bracket.

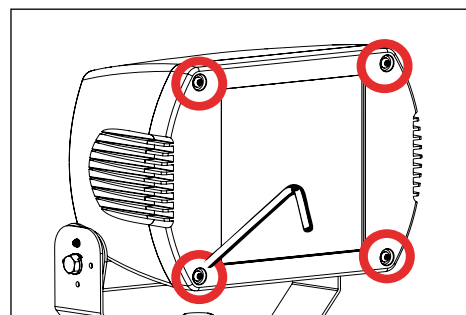
**⚠️ Connect incoming primary to driver primary leads for correct incoming voltage.**



7. Reconnect quick disconnect from driver secondary side to LED board assembly.



8. Secure LED board and heatsink by tightening six (6) #8-32 slotted screws using a 1/4 nut driver/socket wrench or flat head screw driver.



9. Replace faceplate by tightening four (4) tamper-resistant hex screws using a Torx T27 tamper resistant hex bit.

### IMPORTANT SAFETY INFORMATION - READ, FOLLOW, AND SAVE THESE INSTALLATION INSTRUCTIONS

# B-K LIGHTING

40429 Brickyard Drive • Madera, CA 93636 • USA  
559.438.5800 • FAX 559.438.5900  
www.bklighting.com • info@bklighting.com

RELEASE DATE  
02/05/2024

REFERENCE NUMBER  
INS-2473-00

THIS DOCUMENT CONTAINS PROPRIETARY INFORMATION OF B-K LIGHTING, INC. AND ITS RECEIPT OR POSSESSION DOES NOT CONVEY ANY RIGHTS TO REPRODUCE, DISCLOSE ITS CONTENTS, OR TO MANUFACTURE, USE OR SELL ANYTHING IT MAY DESCRIBE. REPRODUCTION, DISCLOSURE OR USE WITHOUT SPECIFIC WRITTEN AUTHORIZATION OF B-K LIGHTING, INC. IS STRICTLY FORBIDDEN.