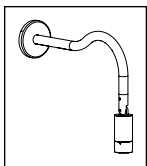


# DENALI

## WALL MOUNT SINGLE/TWIN - INTEGRAL DRIVER



### Standard Installation



Flammable



Warning









High Voltage



Hot Surface

#### TOOLS NEEDED:

-  1/8", 3/16", 5/16", 5/64", & 9/64" Allen Wrench
-  Waterproof Wire Connectors
-  Crimping Tool
-  Safety Cable
-  Mounting Hardware
-  Mounting Hardware for Substrate

### INSTRUCTIONS PERTAINING TO A RISK OF FIRE, OR INJURY TO PERSONS IMPORTANT SAFETY INSTRUCTIONS

#### Lighted fixture is HOT!

#### WARNING - To reduce the risk of FIRE OR INJURY TO PERSONS:

Turn off/unplug and allow to cool before replacing lamp/LED. Fixture gets HOT quickly! Contact only switch/plug when turning on. Do not touch hot lens, guard, or enclosure. Keep fixture away from materials that may burn. Do not operate the luminaire fitting with a missing or damaged shield. Do not touch the source at any time. Use a soft cloth or gloves. Oil from skin may cause damage.

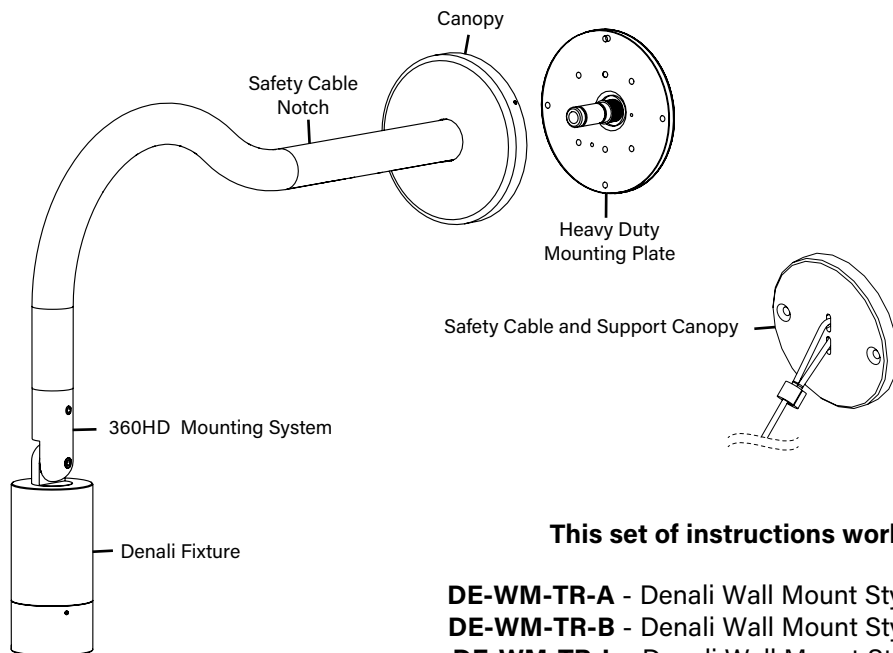
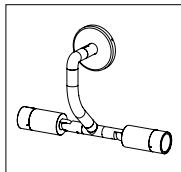
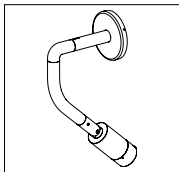
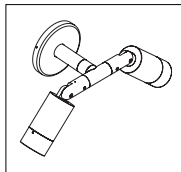
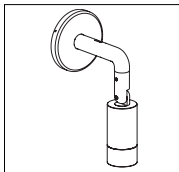
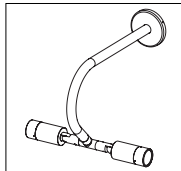
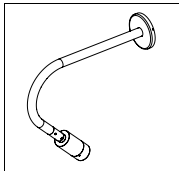
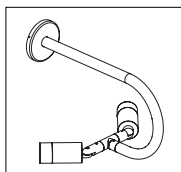
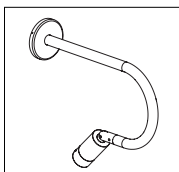
**SAVE THESE INSTRUCTIONS**

### IMPORTANT SAFETY INFORMATION - READ, FOLLOW, AND SAVE ALL SAFETY AND INSTALLATION INSTRUCTIONS

- Product must be installed by a qualified person in a manner consistent with its intended use and in compliance with the National Electrical Code, Canadian Electrical Code, and all Local and Provincial Codes.
- Follow product label information and instructions.
- Qualified Personnel with appropriate personal protective equipment must perform all servicing of this product.
- Before wiring to power supply and during servicing, turn off and lock out power at fuse or circuit breaker before service.
- The use of accessory equipment not recommended by the manufacturer or installed contrary to instructions may cause an unsafe condition. The use of damaged components may cause an unsafe condition and void product warranty.
- Do not block light emanating from product in whole or part, as this may cause an unsafe condition.
- Never operate the fixture with missing or damaged lens. Lens must be cleaned on regular basis.
- Entire fixture may become extremely hot. Do not touch hot lens or fixture body.
- Replace LED assembly only with correct wattage and type of power supply appropriate for LED assembly.
- All gaskets, o-rings and sealing surfaces must be kept clean during installation and service; failure to do this may cause an unsafe condition and void product warranty.

### IMPORTANT LISTINGS AND CERTIFICATIONS

- Suitable for wet locations



#### This set of instructions works for:

- DE-WM-TR-A** - Denali Wall Mount Style "A"
- DE-WM-TR-B** - Denali Wall Mount Style "B"
- DE-WM-TR-L** - Denali Wall Mount Style "L"
- DE-WM-TR-F** - Denali Wall Mount Style "F"
- DE-WM-TR-G** - Denali Wall Mount Style "G"

### IMPORTANT SAFETY INFORMATION - READ, FOLLOW, AND SAVE THESE INSTALLATION INSTRUCTIONS

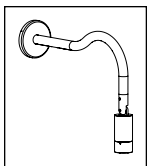
# B-K LIGHTING

40429 Brickyard Drive • Madera, CA 93636 • USA  
559.438.5800 • FAX 559.438.5900  
www.bklighting.com • info@bklighting.com

RELEASE DATE  
05/11/2026

REFERENCE NUMBER  
INS-2827-00

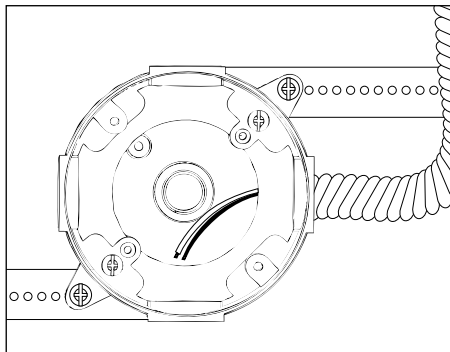
THIS DOCUMENT CONTAINS PROPRIETARY INFORMATION OF B-K LIGHTING, INC. AND ITS RECEIPT OR POSSESSION DOES NOT CONVEY ANY RIGHTS TO REPRODUCE, DISCLOSE ITS CONTENTS, OR TO MANUFACTURE, USE OR SELL ANYTHING IT MAY DESCRIBE. REPRODUCTION, DISCLOSURE OR USE WITHOUT SPECIFIC WRITTEN AUTHORIZATION OF B-K LIGHTING, INC. IS STRICTLY FORBIDDEN.



### Standard Installation

### Phase 1 - Rough In

Installation of Back box

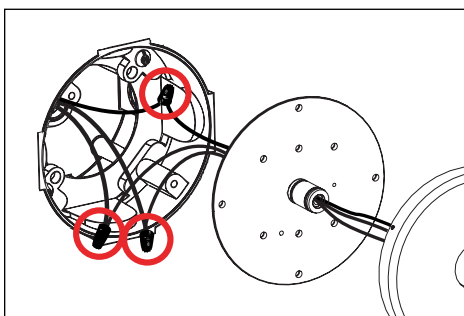


### Additional Info

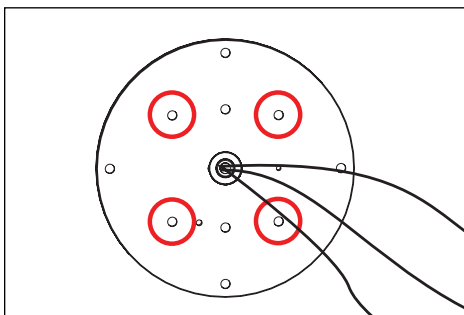
- Please follow National and Local electrical codes for your area.
- Suitable for through wire
- Suitable for installation into combustible materials.
- Rated for 90° C.
- Junction box, universal mounting ring screws, box mounting hardware and gaskets (not included).

1. Install conduit (not included) to be used with this product.
2. Install box so that front face is flush with finished wall. Seal building envelope as per NEC.
3. Connect box to conduit and pull wires for connections (**See wiring diagram**).

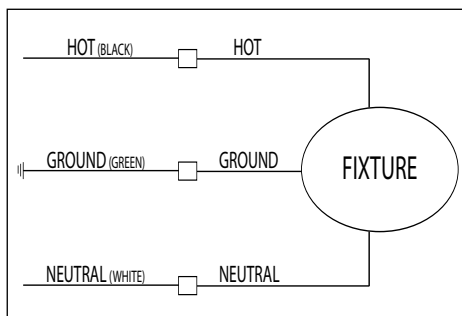
### Phase 2 - Finish Installation of Fixture



1. Pull fixture leads through heavy duty mounting plate. Make watertight connections from remote driver to fixture leads using waterproof wire connectors (not included). **See wiring diagram**.



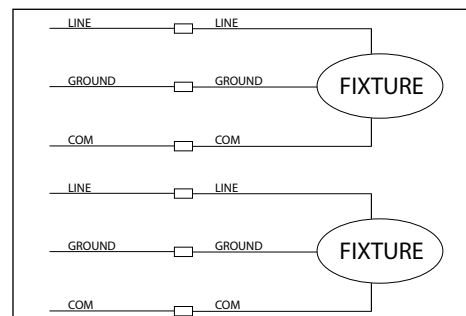
3. Install mounting plate (included with fixture) with #10-24 screws using a 1/8" allen wrench onto back box. Circled locations are available mounting holes for back box installation.



**WIRING DIAGRAM - SINGLE FIXTURE**

- 2a. Pull branch circuit wiring. Make watertight connections from branch circuit wiring to fixture leads using waterproof wire connectors (not included) in splice location as per NEC. UL Listed splice location required. Connect incoming green ground wire to ground wire from fixture. **See wiring diagram**.

**⚠ All line voltage connections must be made in compliance with the National Electrical Code. Failure to do so will void warranty.**



**WIRING DIAGRAM - DUAL FIXTURE**

- 2b. Pull branch circuit wiring. Make watertight connections from branch circuit wiring to fixture leads using waterproof wire connectors (not included) in splice location as per NEC. UL Listed splice location required. Connect incoming green ground wire to ground wire from fixture. **See wiring diagram**.

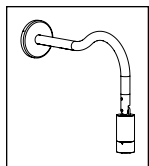
**⚠ All line voltage connections must be made in compliance with the National Electrical Code. Failure to do so will void warranty.**



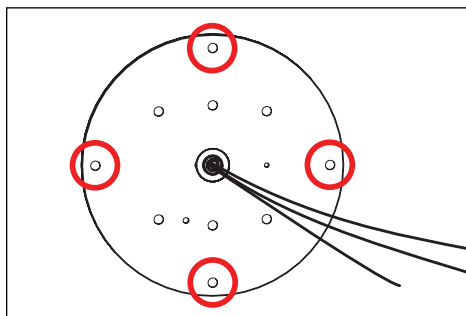
**For fixtures with stem length greater than 30", fixture will not support itself. Structural support cable *must* be installed in the field. Please read page 3 for support canopy and safety cable installation.**

**IMPORTANT SAFETY INFORMATION LISTED ON REVERSE  
READ, FOLLOW, AND SAVE ALL SAFETY AND INSTALLATION INSTRUCTIONS**

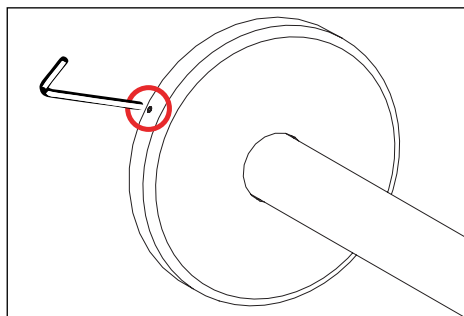




Standard Installation



4. Circled locations are mounting holes for mounting heavy duty mounting plate to substrate. Use mounting hardware (hardware not included) suitable for substrate material. **Seal building envelope as per NEC.**

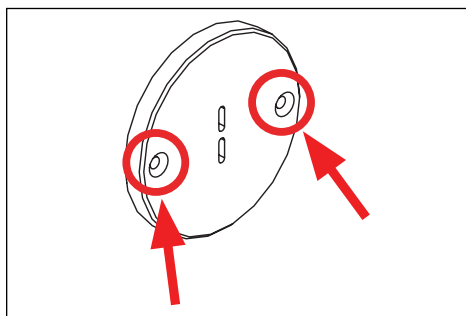


5. Ensure fixture leads are inside junction box. Mount fixture canopy to junction box over mounting plate using three (3) #8-32 set screws with a 9/64" allen wrench.

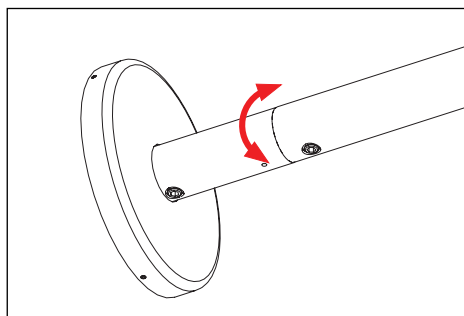
### Safety Cable Installation Instructions - If Required

**!** Depending on fixture stem length, fixture will not support itself. Structural support cable *must* be installed in the field. Please read support canopy and safety cable installation.

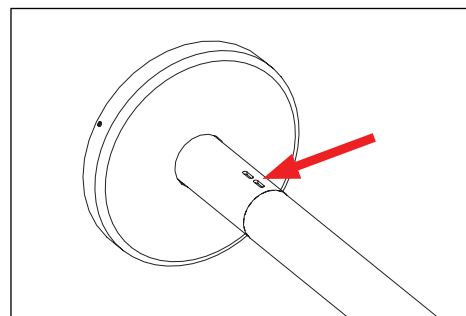
- DE-WM-TR-A** Stem greater than 30" inches
- DE-WM-TR-B** Stem greater than 30" inches
- DE-WM-TR-L** Stem greater than 30" inches
- DE-WM-TR-F** Stem greater than 30" inches
- DE-WM-TR-G** Stem greater than 30" inches



6. Mount support canopy above fixture location using appropriate mounting hardware for surface. **Seal building envelope as per NEC. Do not overtighten.**



7. Adjust stem so that cable notch in stem lines up with support canopy location and cable. Loosen 3/8" set screw in stem to adjust.



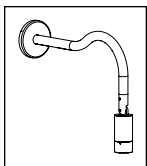
8. Tighten set screw when cable notch in stem is in line with support cable and support canopy.



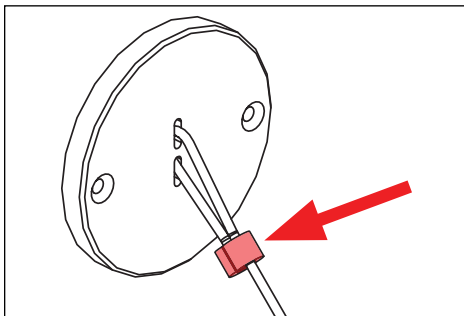
**For fixtures with stem length greater than 30", fixture will not support itself. Structural support cable *must* be installed in the field. Please read page 3 for support canopy and safety cable installation.**

**IMPORTANT SAFETY INFORMATION LISTED ON REVERSE  
READ, FOLLOW, AND SAVE ALL SAFETY AND INSTALLATION INSTRUCTIONS**

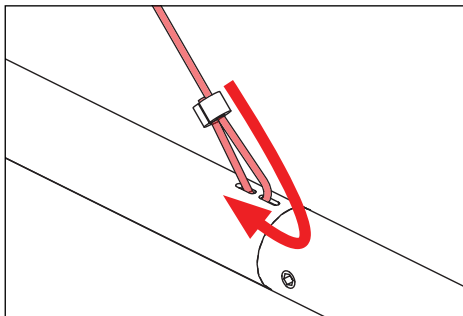




Standard Installation



9. Thread aircraft support cable through support canopy cable notch. Loop and fasten with compression fitting. Use proper crimping tool to close compression fitting.

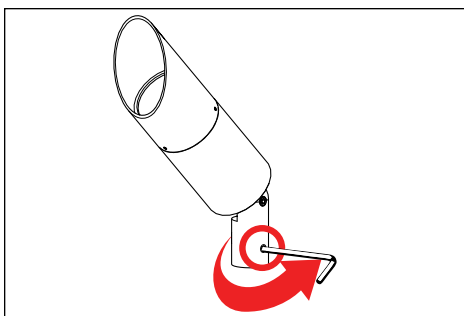


10. Thread aircraft support cable through cable notch in stem. Loop and fasten with compression fitting. Use proper crimping tool to close compression fitting.

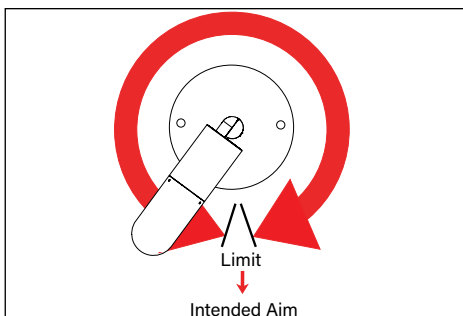


**Fixture will not support itself. Structural support cable must be installed in the field.**

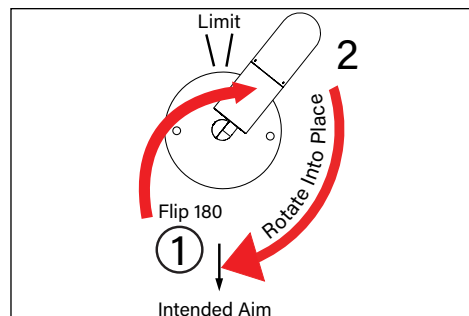
### 360HD Knuckle Mounting System



1. Use a 3/16" allen wrench to slightly loosen one (1) 3/8"-16 set screw on the knuckle for 360° aiming purpose.  
2. Rotate fixture at base and aim fixture to desired horizontal location.



3. If the over-rotation protection pin is in the desired aiming position, do not force the fixture past the limit. Using a 3/16" allen wrench, slightly loosen both set screws in the knuckle, enough to move the fixture freely on both axes.



4. Flip the fixture 180 degrees over the knuckle. The rotational range limit will now be 180 degrees from the original position. Now rotate the fixture into the desired aiming position.  
5. Secure aim by tightening one (1) 3/8"-16 set screw using a 3/16" allen wrench.

**⚠ Rotating the cap may be necessary for proper weep hole and cutoff position**

**⚠ Warning: Do not over tighten cap set screws. Doing so will compromise o-ring seal and will void warranty.**

**IMPORTANT SAFETY INFORMATION LISTED ON REVERSE  
READ, FOLLOW, AND SAVE ALL SAFETY AND INSTALLATION INSTRUCTIONS**

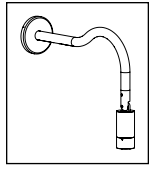


**B-K LIGHTING**

40429 Brickyard Drive • Madera, CA 93636 • USA  
559.438.5800 • FAX 559.438.5900  
www.bklighting.com • info@bklighting.com

RELEASE DATE  
05/11/2026

REFERENCE NUMBER  
INS-2827-00

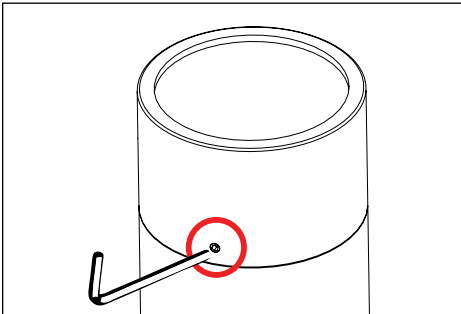


### Standard Installation

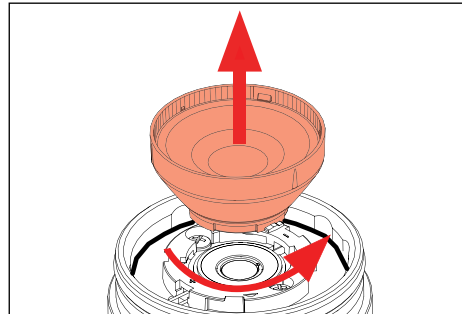
# DENALI

## WALL MOUNT SINGLE/TWIN - INTEGRAL DRIVER

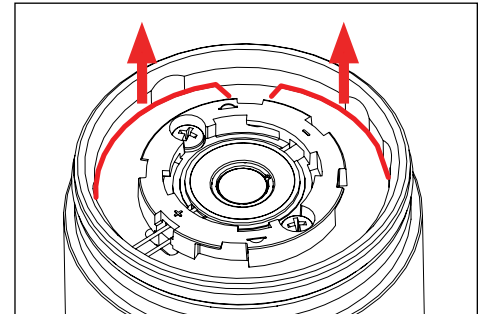
### Integral Driver Replacement



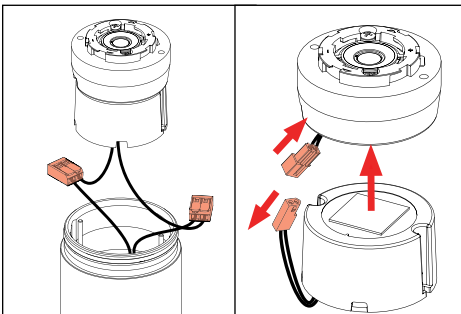
1. Loosen three (3) #8-32 set screws with a 5/64" allen wrench on cap, then remove cap.



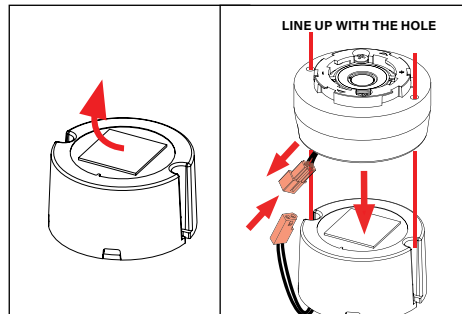
2. Twist and pull away optic.



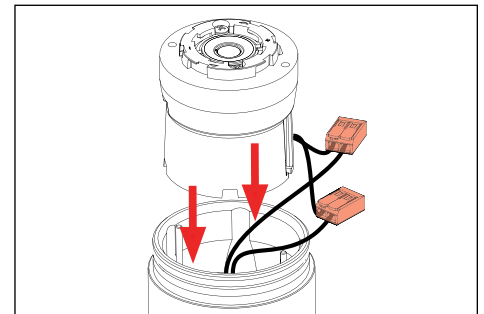
3. Remove retainer.



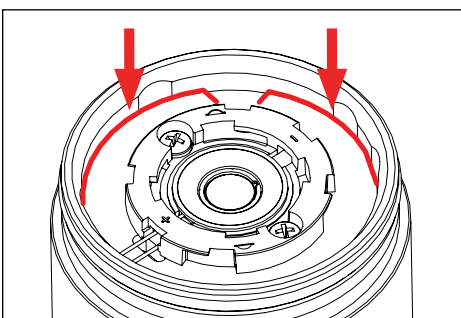
4. Disconnect driver assembly from fixture body.  
5. Separate heatsink from driver assembly via quick disconnect.



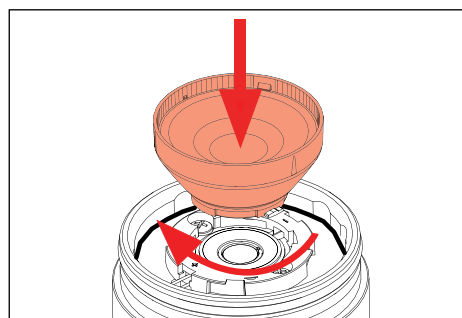
6. Remove protective plastic from the double-sided tape square on clean top of driver assembly.  
7. Reconnect heatsink assembly to driver assembly via quick disconnect. Quick disconnect tucks into space underneath heatsink. Press heatsink down along guides until flush and even with tape on driver.



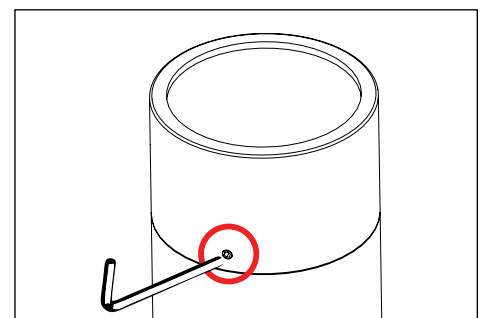
8. Connect new driver assembly to fixture leads. Place connections inside body cavity, then slide down fixture body along guides.



9. Reinstall retainer.



10. Twist to reinstall optic onto optic holder.



11. Install cap by tightening three (3) #8-32 set screws with a 5/64" allen wrench. **Do not over tighten.** Cap should be able to rotate without force.

**IMPORTANT SAFETY INFORMATION LISTED ON REVERSE  
READ, FOLLOW, AND SAVE ALL SAFETY AND INSTALLATION INSTRUCTIONS**



# B-K LIGHTING

40429 Brickyard Drive • Madera, CA 93636 • USA  
559.438.5800 • FAX 559.438.5900  
www.bklighting.com • info@bklighting.com

RELEASE DATE  
05/11/2026

REFERENCE NUMBER  
INS-2827-00