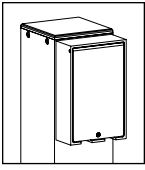


# RECEPTACLE BOLLARD



## Standard Installation



Flammable



Warning



High Voltage



Hot Surface

### TOOLS NEEDED:

- 3/32", 1/8", & 7/64" Allen Wrench
- Waterproof Wire Connectors
- Epoxy (Included)
- Sleeve or Wedge Anchors for Concrete (1/4" Dia. Min.)
- Data Cable (RE3 Option Only)

## INSTRUCTIONS PERTAINING TO A RISK OF FIRE, OR INJURY TO PERSONS IMPORTANT SAFETY INSTRUCTIONS

### Lighted fixture is HOT!

#### WARNING - To reduce the risk of FIRE OR INJURY TO PERSONS:

Turn off/unplug and allow to cool before replacing lamp/LED. Fixture gets HOT quickly! Contact only switch/plug when turning on. Do not touch hot lens, guard, or enclosure. Keep fixture away from materials that may burn. Do not operate the luminaire fitting with a missing or damaged shield. Do not touch the source at any time. Use a soft cloth or gloves. Oil from skin may cause damage.

**SAVE THESE INSTRUCTIONS**

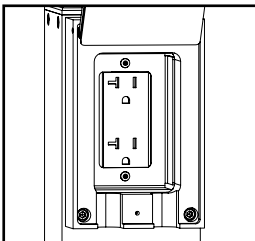
## IMPORTANT SAFETY INFORMATION - READ, FOLLOW, AND SAVE ALL SAFETY AND INSTALLATION INSTRUCTIONS

- Product must be installed by a qualified person in a manner consistent with its intended use and in compliance with the National Electrical Code, Canadian Electrical Code, and all Local and Provincial Codes.
- Follow product label information and instructions.
- Qualified Personnel with appropriate personal protective equipment must perform all servicing of this product.
- Before wiring to power supply and during servicing, turn off and lock out power at fuse or circuit breaker before service.
- The use of accessory equipment not recommended by the manufacturer or installed contrary to instructions may cause an unsafe condition. The use of damaged components may cause an unsafe condition and void product warranty.
- Do not block light emanating from product in whole or part, as this may cause an unsafe condition.
- Never operate the fixture with missing or damaged lens. Lens must be cleaned on regular basis.
- Entire fixture may become extremely hot. Do not touch hot lens or fixture body.
- Replace LED assembly only with correct wattage and type of power supply appropriate for LED assembly.
- All gaskets, o-rings and sealing surfaces must be kept clean during installation and service; failure to do this may cause an unsafe condition and void product warranty.

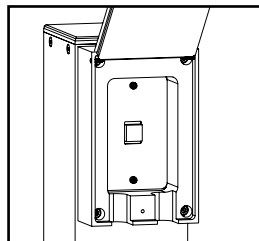
## IMPORTANT LISTINGS AND CERTIFICATIONS

- Suitable for wet locations

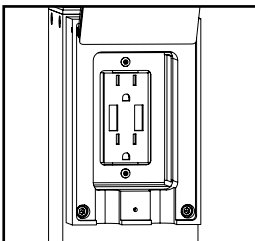
Proper soil preparation is recommended before installation. See the DIG-IT guide at <https://www.bklighting.com/wp-content/uploads/2024/09/digit.pdf> for more information.



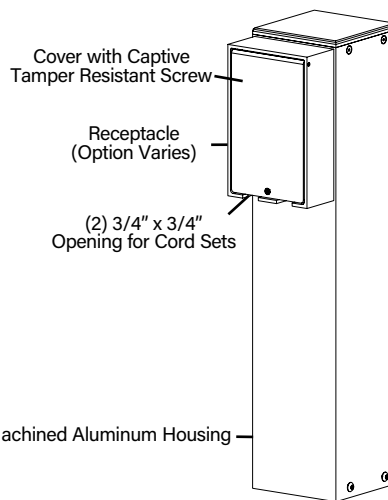
RE1 Option - GFI



RE3 Option - RJ45 Jack



RE2 Option - GFI & USB



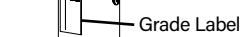
Machined Base



Steel Plate



Tenon



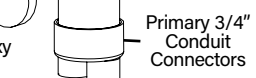
Grade Label



PVC (Optional)



Epoxy



Primary 3/4"  
Conduit  
Connectors

**CONCRETE INSTALLATION ONLY**

## IMPORTANT SAFETY INFORMATION - READ, FOLLOW, AND SAVE THESE INSTALLATION INSTRUCTIONS

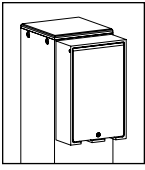
**B-K LIGHTING**

40429 Brickyard Drive • Madera, CA 93636 • USA  
559.438.5800 • FAX 559.438.5900  
www.bklighting.com • info@bklighting.com

RELEASE DATE  
02/15/2024

REFERENCE NUMBER  
INS-2701-00

THIS DOCUMENT CONTAINS PROPRIETARY INFORMATION OF B-K LIGHTING, INC. AND ITS RECEIPT OR POSSESSION DOES NOT CONVEY ANY RIGHTS TO REPRODUCE, DISCLOSE ITS CONTENTS, OR TO MANUFACTURE, USE OR SELL ANYTHING IT MAY DESCRIBE. REPRODUCTION, DISCLOSURE OR USE WITHOUT SPECIFIC WRITTEN AUTHORIZATION OF B-K LIGHTING, INC. IS STRICTLY FORBIDDEN.

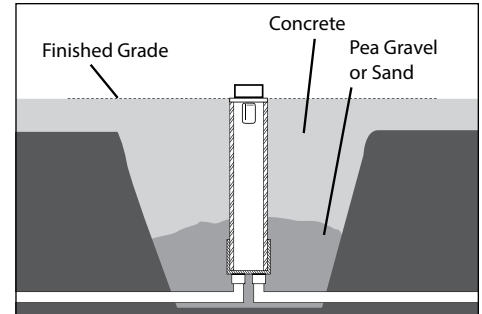
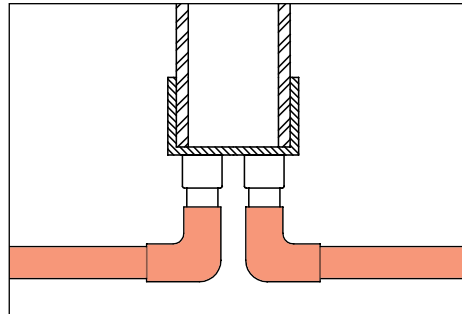
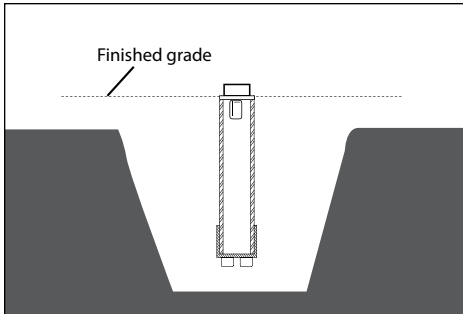


## Standard Installation

# RECEPTACLE BOLLARD

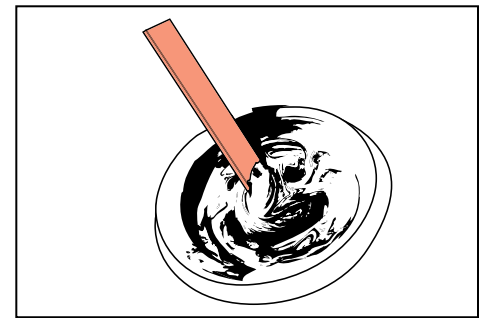
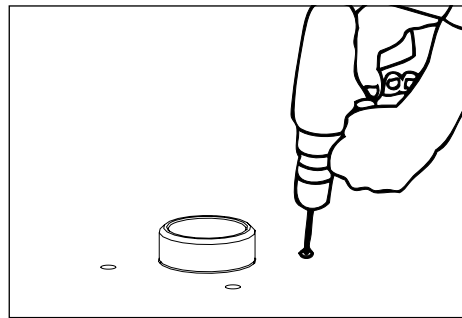
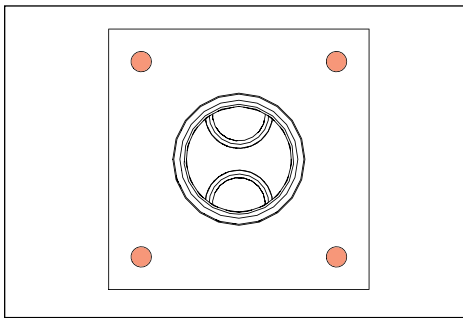
**PVC HOUSING MUST BE INSTALLED AS PER GRADE LABEL. HOUSING IS LABELED AT GRADE LEVEL. HOUSING INSTALLED BELOW GRADE WILL VOID WARRANTY**

### Installation of PVC Mounting



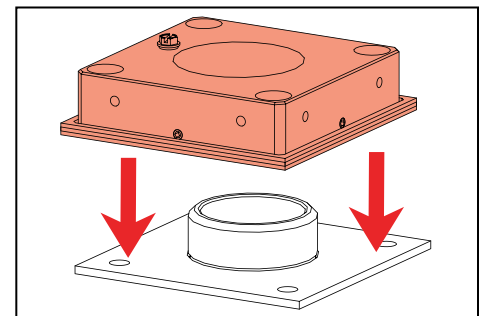
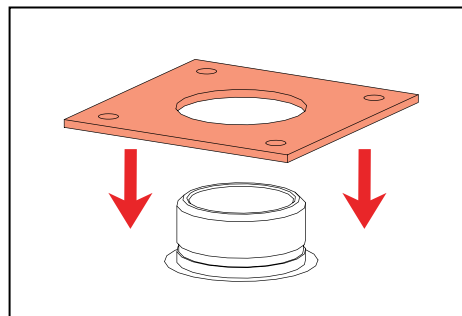
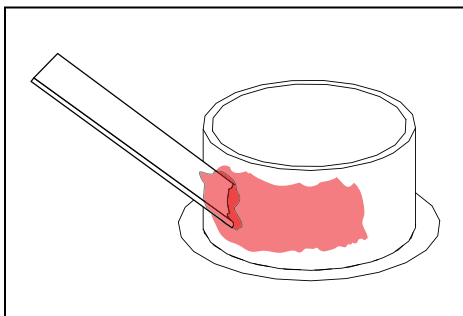
1. Excavate trench according to designed lighting plan. Dig hole a minimum of 24" deep and 10" wide to accommodate PVC housing at desired fixture location and direction of in-use receptacle(s).
2. Connect conduit to the 3/4" primary conduit couplers attached to the bottom of the PVC housing. Place PVC housing in hole.
3. Prep for concrete. Base is flush with finished grade.
4. Pull branch circuit wiring necessary for appropriate installation.

### Installation of Base



1. Steel plate and base has four (4) 5/16" dia. holes at 3" square on center for mounting hardware. Use steel plate as template for final mounting drill hole positions.
2. Drill four (4) holes into concrete for minimum 1/4" sleeve or wedge anchors for concrete. Clean or vacuum debris from drilled holes.
3. Prepare epoxy (included) according to instructions on packaging.

**⚠ Minimum of 1/4" dia. anchors must be used.**



4. Use mixing stick to apply the epoxy to the exterior of exposed PVC housing as shown, in smooth, continuous application.
5. Place steel plate epoxyed PVC housing, lining up with drilled mounting holes in concrete.
6. Place base onto epoxyed PVC housing over steel plate, lining up with steel plate mounting holes and drilled mounting holes in concrete.

**IMPORTANT SAFETY INFORMATION LISTED ON REVERSE  
READ, FOLLOW, AND SAVE ALL SAFETY AND INSTALLATION INSTRUCTIONS**



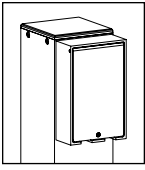
**B-K LIGHTING**

40429 Brickyard Drive • Madera, CA 93636 • USA  
559.438.5800 • FAX 559.438.5900  
www.bklighting.com • info@bklighting.com

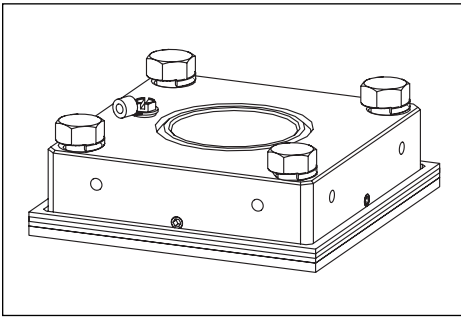
RELEASE DATE  
02/15/2024

REFERENCE NUMBER  
INS-2701-00

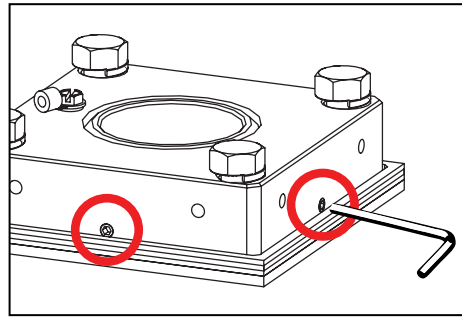
# RECEPTACLE BOLLARD



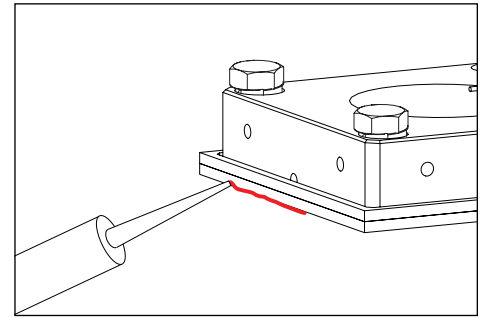
## Standard Installation



7. Mount base and plate to concrete using mounting holes drilled previously (mounting hardware not included). Minimum 1/4" diameter sleeve or wedge anchors for concrete must be used.

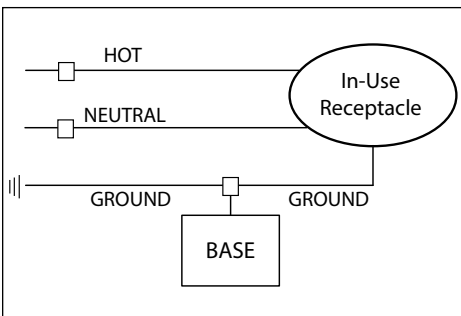


8. Tighten four (4) #10-32 screws in base using a 3/32" allen wrench to secure to installed PVC housing.



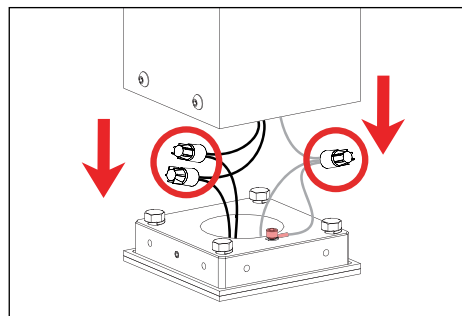
9. Seal base and plate as per NEC. Continue with installation of In-Use Receptacle option chosen.

## Installation of In-Use Receptacle (RE1 & RE2 Option)

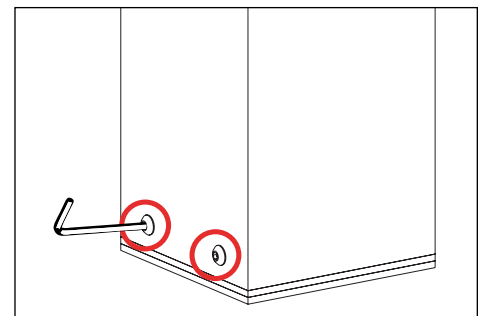


### WIRING DIAGRAM

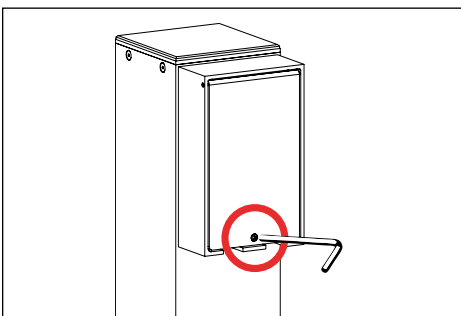
1. Pull branch circuit wiring. Make watertight connections from primary branch circuit to in-use receptacle using waterproof wire connectors. Connect incoming ground and ground from receptacle to ground wire on base. **See wiring diagram.**



2. Attach ground from branch circuit to screw on anchor base. Place connectors inside receptacle.



3. Attach in-use receptacle to installed anchor base with four (4) #10-32 button head stainless steel cap screws at the base using a 1/8" allen wrench.



4. Receptacle cover has captive #6-32 screw. Secure receptacle by tightening captive #6-32 set screw using a 7/64" allen wrench.

⚠ Receptacle cover has two (2) openings for in-use cord sets.

**IMPORTANT SAFETY INFORMATION LISTED ON REVERSE  
READ, FOLLOW, AND SAVE ALL SAFETY AND INSTALLATION INSTRUCTIONS**

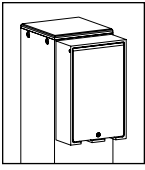


**B-K LIGHTING**

40429 Brickyard Drive • Madera, CA 93636 • USA  
559.438.5800 • FAX 559.438.5900  
www.bklighting.com • info@bklighting.com

RELEASE DATE  
02/15/2024

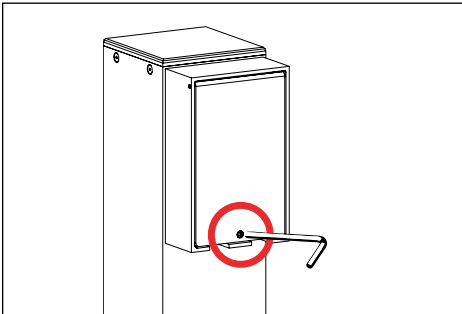
REFERENCE NUMBER  
INS-2701-00



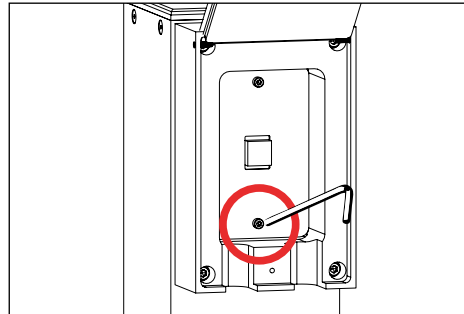
## Standard Installation

# RECEPTACLE BOLLARD

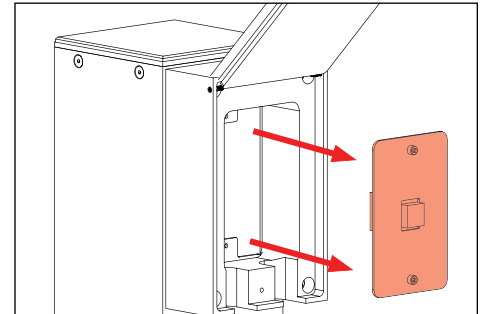
### Installation of In-Use Receptacle (RE3 Option)



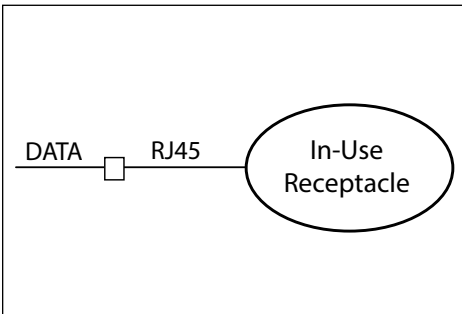
1. Open receptacle cover. Receptacle cover has captive #6-32 screw for use with a 7/64" allen wrench.



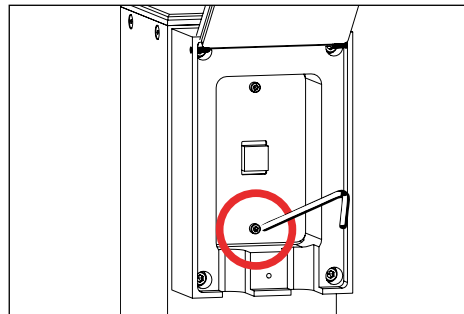
2. Loosen two (2) #6-32 screws with a 7/64" allen wrench to remove inner bracket with RJ45 jack.



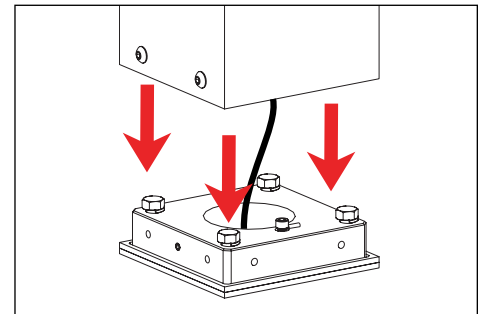
3. Connect incoming data cable to RJ45 jack as per installation plan. Follow manufacturer's instructions as per cable and method of connection to RJ45 jack (cable and connections required, not included). **See wiring diagram.**



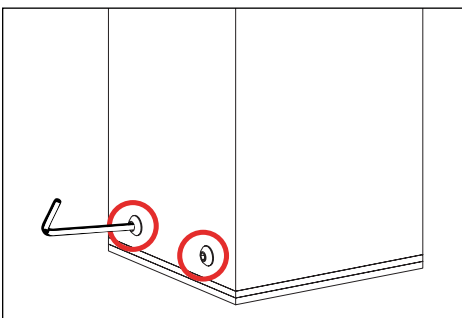
**WIRING DIAGRAM**



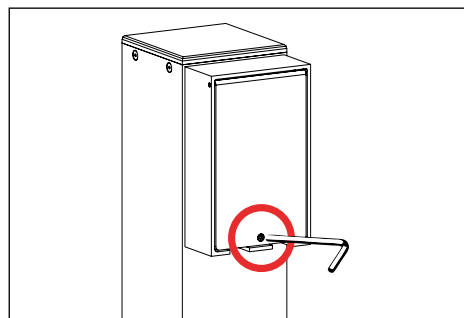
4. Place connections into bollard. Attach inner bracket with RJ45 jack with two (2) #6-32 screws with a 7/64" allen wrench.



5. Place connection(s) and/or cable inside receptacle.



6. Attach in-use receptacle to installed anchor base and plate with four (4) #10-32 button head stainless steel cap screws at the base using a 1/8" allen wrench.



7. Receptacle cover has captive #6-32 screw. Secure receptacle by tightening captive #6-32 set screw using a 7/64" allen wrench.

**⚠ Receptacle cover has two (2) openings for in-use cord sets.**

**IMPORTANT SAFETY INFORMATION LISTED ON REVERSE  
READ, FOLLOW, AND SAVE ALL SAFETY AND INSTALLATION INSTRUCTIONS**



# B-K LIGHTING

40429 Brickyard Drive • Madera, CA 93636 • USA  
559.438.5800 • FAX 559.438.5900  
www.bklighting.com • info@bklighting.com

RELEASE DATE  
02/15/2024

REFERENCE NUMBER  
INS-2701-00