

Standard Installation

VERSA STAR/STEP STAR

CEILING RECESSED & WALL RECESSED - LED



Flammable



Warning



Low Voltage



Hot Surface

TOOLS NEEDED:

- 1/8" Allen Wrench
- Waterproof Wire Connectors
- Phillips Screwdriver

INSTRUCTIONS PERTAINING TO A RISK OF FIRE, OR INJURY TO PERSONS IMPORTANT SAFETY INSTRUCTIONS

Lighted fixture is HOT!

WARNING - To reduce the risk of FIRE OR INJURY TO PERSONS:

Turn off/unplug and allow to cool before replacing lamp/LED. Fixture gets HOT quickly! Contact only switch/plug when turning on. Do not touch hot lens, guard, or enclosure. Keep fixture away from materials that may burn. Do not operate the luminaire fitting with a missing or damaged shield. Do not touch the source at any time. Use a soft cloth or gloves. Oil from skin may cause damage.

SAVE THESE INSTRUCTIONS

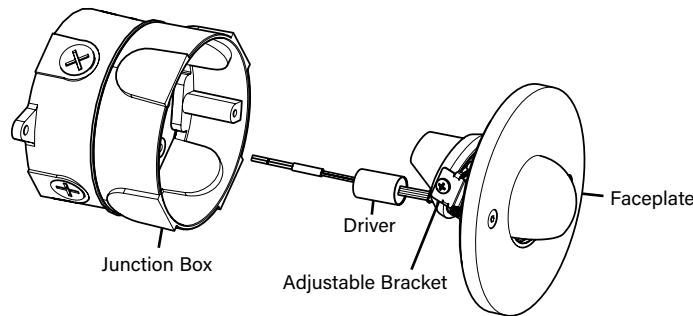
IMPORTANT SAFETY INFORMATION - READ, FOLLOW, AND SAVE ALL SAFETY AND INSTALLATION INSTRUCTIONS

- Product must be installed by a qualified person in a manner consistent with its intended use and in compliance with the National Electrical Code, Canadian Electrical Code, and all Local and Provincial Codes.
- Follow product label information and instructions.
- Qualified Personnel with appropriate personal protective equipment must perform all servicing of this product.
- Before wiring to power supply and during servicing, turn off and lock out power at fuse or circuit breaker before service.
- The use of accessory equipment not recommended by the manufacturer or installed contrary to instructions may cause an unsafe condition. The use of damaged components may cause an unsafe condition and void product warranty.
- Do not block light emanating from product in whole or part, as this may cause an unsafe condition.
- Never operate the fixture with missing or damaged lens. Lens must be cleaned on regular basis.
- Entire fixture may become extremely hot. Do not touch hot lens or fixture body.
- Replace LED assembly only with correct wattage and type of power supply appropriate for LED assembly.
- All gaskets, o-rings and sealing surfaces must be kept clean during installation and service; failure to do this may cause an unsafe condition and void product warranty.

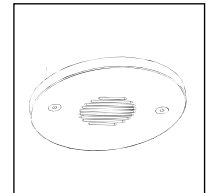
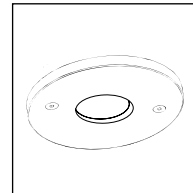
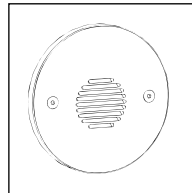
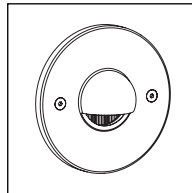
IMPORTANT LISTINGS AND CERTIFICATIONS

- Suitable for wet locations • Not suitable for through wiring

Please refer to the low voltage design guide at "<https://www.bklighting.com/resources/>" before installation for proper wire selection.



This set of instructions works for:
VS-CR - Versa Star Ceiling Recessed
SS-WR - Step Star Wall Recessed



IMPORTANT SAFETY INFORMATION - READ, FOLLOW, AND SAVE THESE INSTALLATION INSTRUCTIONS

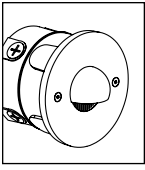
B-K LIGHTING

40429 Brickyard Drive • Madera, CA 93636 • USA
 559.438.5800 • FAX 559.438.5900
www.bklighting.com • info@bklighting.com

RELEASE DATE
 02/07/2024

REFERENCE NUMBER
 INS000938

THIS DOCUMENT CONTAINS PROPRIETARY INFORMATION OF B-K LIGHTING, INC. AND ITS RECEIPT OR POSSESSION DOES NOT CONVEY ANY RIGHTS TO REPRODUCE, DISCLOSE ITS CONTENTS, OR TO MANUFACTURE, USE OR SELL ANYTHING IT MAY DESCRIBE. REPRODUCTION, DISCLOSURE OR USE WITHOUT SPECIFIC WRITTEN AUTHORIZATION OF B-K LIGHTING, INC. IS STRICTLY FORBIDDEN.



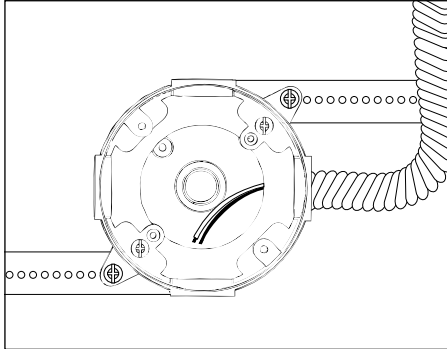
VERSA STAR/STEP STAR

CEILING RECESSED & WALL RECESSED - LED

Standard Installation

Phase 1 - Rough In

Installation of Back box

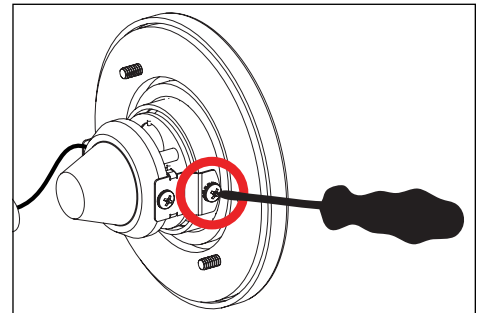
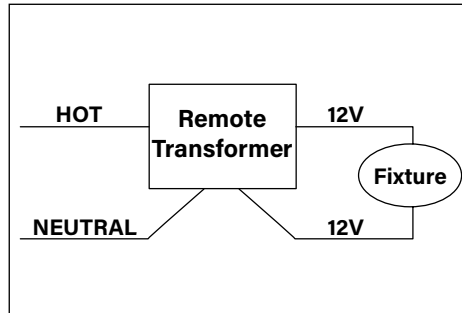
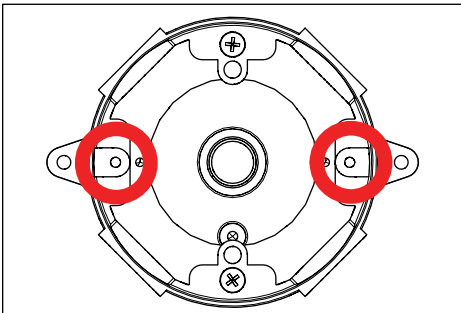


Additional Info

- Please follow National and Local electrical codes for your area.
- 4" round cast box is provided with Five (5) 1/2" threaded hubs for conduit entry (4 on sides and one on back of box).
- Suitable for through wire.
- Suitable for installation into combustible materials.
- Rated for 90° C.

1. Install conduit (not included) to be used with this product.
2. Install junction box so that front face is flush with finished wall or ceiling.
3. Connect box to conduit and pull wires for connections (**See Wiring diagram**).

Phase 2 - Finish Installation of Fixture with Remote Transformer



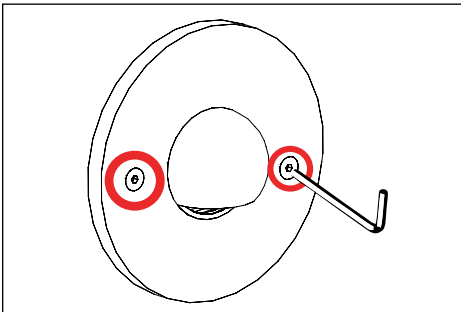
1. When installing junction box, ensure faceplate mounting holes on junction box are positioned so final installation aligns according to lighting plan. Pull secondary branch circuit wiring into junction box.

WIRING DIAGRAM

⚠ LED - For use with 12VAC LED remote transformer or magnetic transformers only. B-K Lighting cannot guarantee performance with third party manufacturers' transformers.

2. Make watertight connections from remote transformer to fixture leads using waterproof wire connectors. **See wiring diagram.**

3. To aim adjustable bracket loosen the two (2) phillip screws attaching the adjustable bracket to the faceplate. Aim to desired position. Tighten two (2) phillip screws to lock in place when desired angle is set.



4. Mount faceplate using two (2) #10-24 screws with a 1/8" allen wrench. Tighten to compress gasket. **Do not over tighten.**

**IMPORTANT SAFETY INFORMATION LISTED ON REVERSE
READ, FOLLOW, AND SAVE ALL SAFETY AND INSTALLATION INSTRUCTIONS**

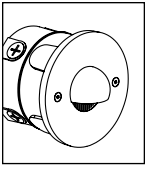


B-K LIGHTING

40429 Brickyard Drive • Madera, CA 93636 • USA
559.438.5800 • FAX 559.438.5900
www.bklighting.com • info@bklighting.com

RELEASE DATE
02/07/2024

REFERENCE NUMBER
INS000938



Standard Installation

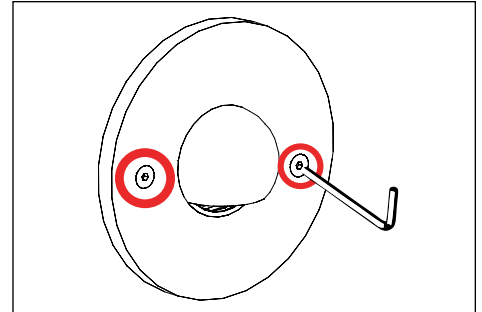
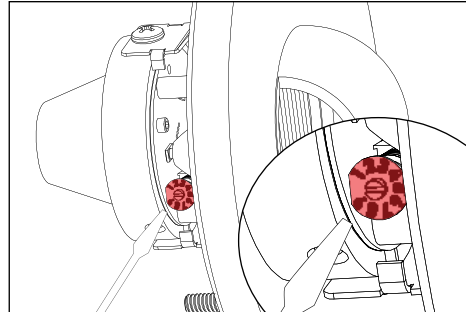
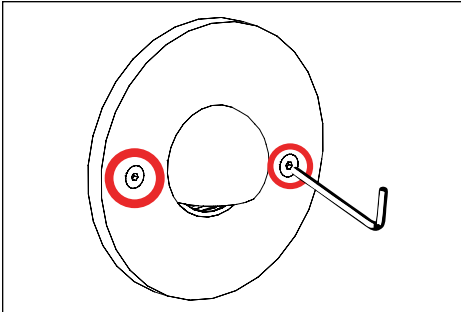
VERSA STAR/STEP STAR

CEILING RECESSED & WALL RECESSED - LED



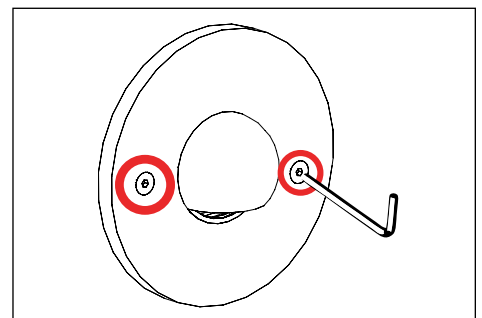
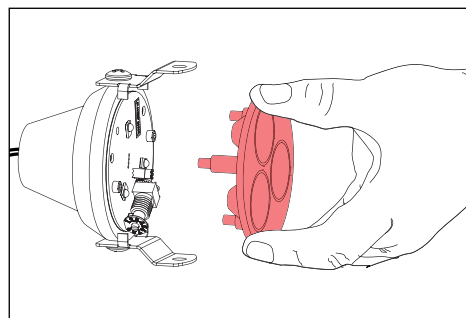
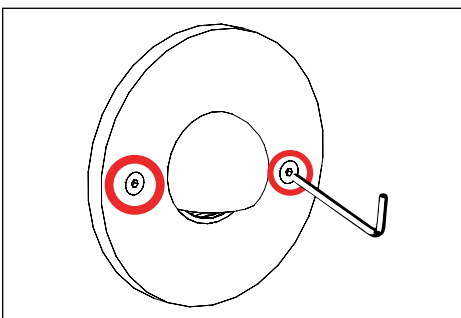
This product is available with Adjust-e-Lume® (Patent Pend.) for Dynamic Lumen Output Control
Warning! The light output of this product may be dynamically adjusted as desired to raise and lower light levels. Please ensure the fixture is set to the appropriate light level desired during installation.

To Change Lumen Output (If Required)



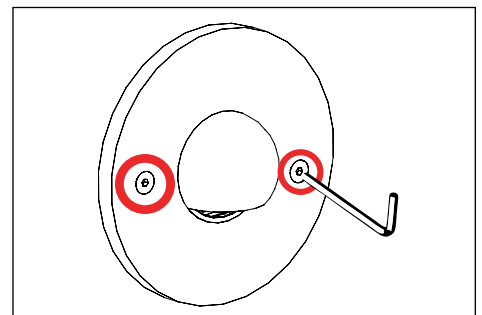
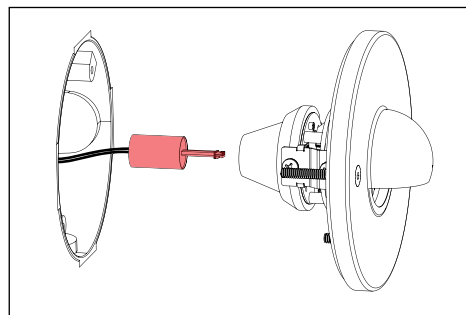
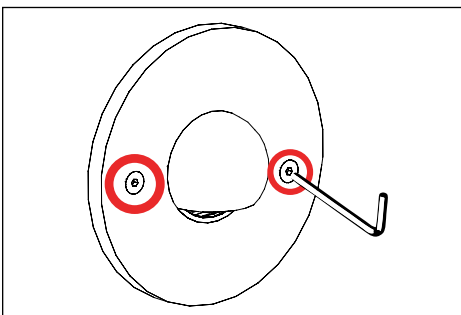
1. Use a 1/8" allen wrench to loosen #10-24 stainless faceplate screws to remove faceplate.
2. With flat head screw driver rotate dial to desired lumen output.
3. Replace faceplate.

Replacing Optics



1. Remove faceplate by loosening #10-24 screws using a 1/8" allen wrench. Use phillips screwdriver to loosen heatsink from adjustable bracket.
2. Space three fingers evenly around the optic and gently rock optic to remove. Insert new optic.
3. Mount faceplate using two (2) #10-24 screws with a 1/8" allen wrench. Tighten to compress gasket. **Do not over tighten.**

Replacing Driver



1. Use a 1/8" allen wrench to loosen #10-24 stainless faceplate screws to remove faceplate.
2. Disengage driver assembly by using quick disconnects. Replace driver assembly by using quick disconnects, then place driver back into junction box.
3. Mount faceplate using two (2) #10-24 screws with a 1/8" allen wrench. Tighten to compress gasket. **Do not over tighten.**

**IMPORTANT SAFETY INFORMATION LISTED ON REVERSE
READ, FOLLOW, AND SAVE ALL SAFETY AND INSTALLATION INSTRUCTIONS**



B-K LIGHTING

40429 Brickyard Drive • Madera, CA 93636 • USA
559.438.5800 • FAX 559.438.5900
www.bklighting.com • info@bklighting.com

RELEASE DATE
02/07/2024

REFERENCE NUMBER
INS000938