

### Standard Installation



Flammable





Warning



High Voltage



Hot Surface

<b>TOOLS NEEDED:</b>	 5/32" Allen Wrench
	 Waterproof Wire Connectors

### INSTRUCTIONS PERTAINING TO A RISK OF FIRE, OR INJURY TO PERSONS IMPORTANT SAFETY INSTRUCTIONS

#### Lighted fixture is HOT!

#### WARNING - To reduce the risk of FIRE OR INJURY TO PERSONS:

Turn off/unplug and allow to cool before replacing lamp/LED. Fixture gets HOT quickly! Contact only switch/plug when turning on. Do not touch hot lens, guard, or enclosure. Keep fixture away from materials that may burn. Do not operate the luminaire fitting with a missing or damaged shield. Do not touch the source at any time. Use a soft cloth or gloves. Oil from skin may cause damage.

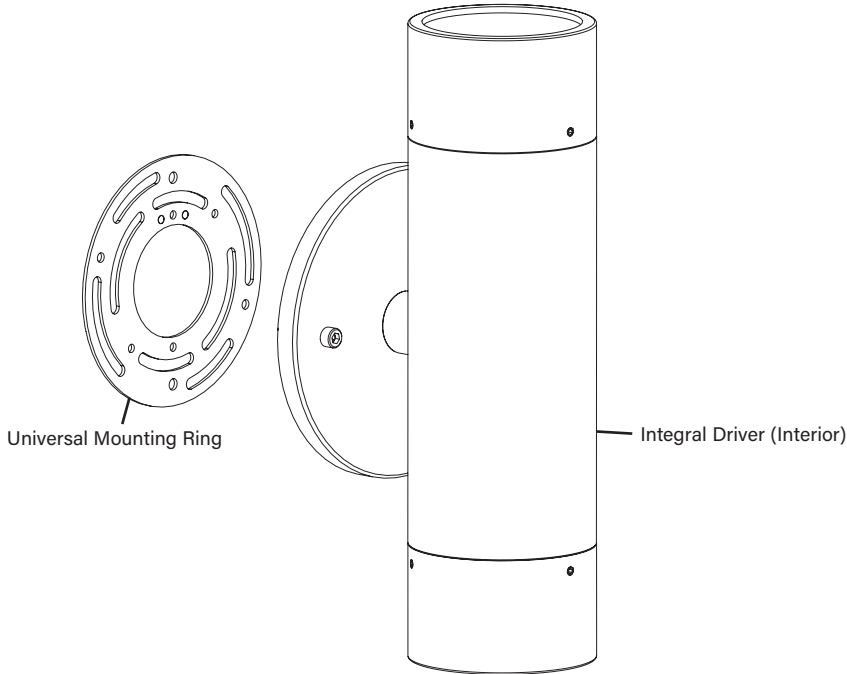
**SAVE THESE INSTRUCTIONS**

### IMPORTANT SAFETY INFORMATION - READ, FOLLOW, AND SAVE ALL SAFETY AND INSTALLATION INSTRUCTIONS

- Product must be installed by a qualified person in a manner consistent with its intended use and in compliance with the National Electrical Code, Canadian Electrical Code, and all Local and Provincial Codes.
- Follow product label information and instructions.
- Qualified Personnel with appropriate personal protective equipment must perform all servicing of this product.
- Before wiring to power supply and during servicing, turn off and lock out power at fuse or circuit breaker before service.
- The use of accessory equipment not recommended by the manufacturer or installed contrary to instructions may cause an unsafe condition. The use of damaged components may cause an unsafe condition and void product warranty.
- Do not block light emanating from product in whole or part, as this may cause an unsafe condition.
- Never operate the fixture with missing or damaged lens. Lens must be cleaned on regular basis.
- Entire fixture may become extremely hot. Do not touch hot lens or fixture body.
- Replace LED assembly only with correct wattage and type of power supply appropriate for LED assembly.
- All gaskets, o-rings and sealing surfaces must be kept clean during installation and service; failure to do this may cause an unsafe condition and void product warranty.

### IMPORTANT LISTINGS AND CERTIFICATIONS

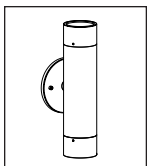
- Suitable for wet locations



### DENALI WALL MOUNT DUAL

### IMPORTANT SAFETY INFORMATION - READ, FOLLOW, AND SAVE THESE INSTALLATION INSTRUCTIONS

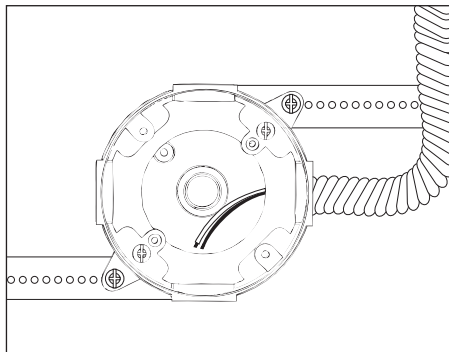
<b>B-K LIGHTING</b>	40429 Brickyard Drive • Madera, CA 93636 • USA 559.438.5800 • FAX 559.438.5900 www.bklighting.com • info@bklighting.com	RELEASE DATE 02/08/2024	REFERENCE NUMBER INS-2823-00
	THIS DOCUMENT CONTAINS PROPRIETARY INFORMATION OF B-K LIGHTING, INC. AND ITS RECEIPT OR POSSESSION DOES NOT CONVEY ANY RIGHTS TO REPRODUCE, DISCLOSE ITS CONTENTS, OR TO MANUFACTURE, USE OR SELL ANYTHING IT MAY DESCRIBE. REPRODUCTION, DISCLOSURE OR USE WITHOUT SPECIFIC WRITTEN AUTHORIZATION OF B-K LIGHTING, INC. IS STRICTLY FORBIDDEN.		



### Standard Installation

#### Phase 1 - Rough In

Installation of Back box

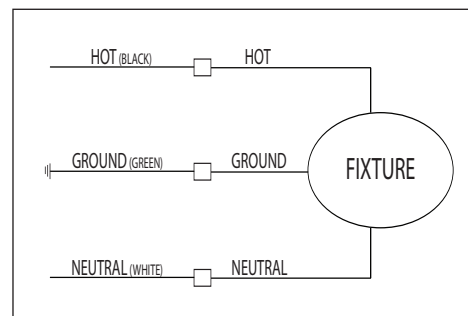
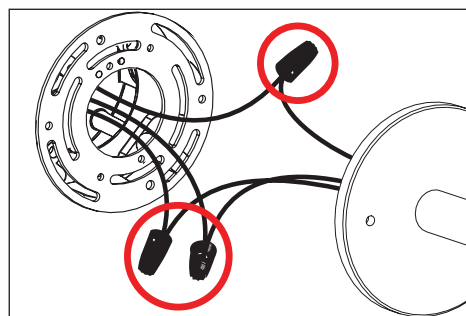
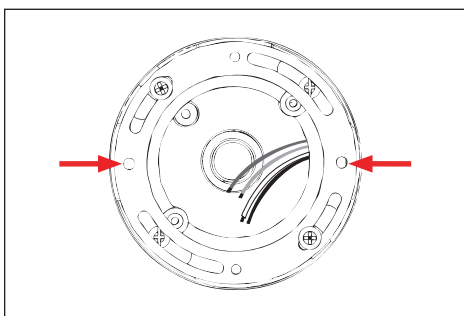


#### Additional Info

- Please follow National and Local electrical codes for your area.
- Use 4" round cast box (not included).
- Suitable for through wire.
- Suitable for installation into combustible materials.
- Rated for 90° C.
- Junction box, universal mounting ring screws, box mounting hardware and gaskets (not included).

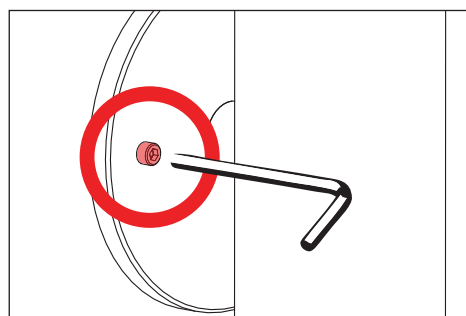
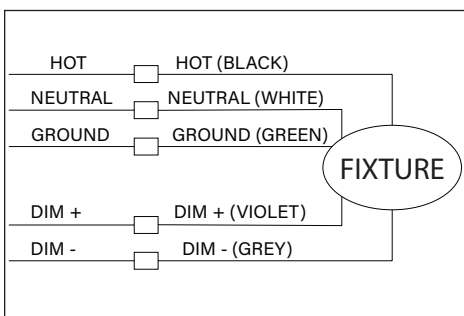
1. Install conduit (not included) to be used with this product.
2. Install junction box so that front face is flush with finished wall or ceiling. Seal building envelope as per NEC.
3. Connect box to conduit and pull wires for connections (**See wiring diagram**).

#### Phase 2 - Finish Installation of Fixture with Remote Driver



1. Install universal mounting ring (included with fixture) using #10-24 screws onto back box. Align fixture mounting holes to final mounting position.
2. Make watertight connections from remote driver to fixture source leads using waterproof wire connectors (not included). **See wiring diagram.**
3. Pull branch circuit wiring. Make watertight connections from branch circuit wiring to fixture leads using waterproof wire connectors (not included) in splice location as per NEC. UL Listed splice location required. Connect incoming green ground wire to ground wire from fixture. **See wiring diagram.**

#### WIRING DIAGRAM



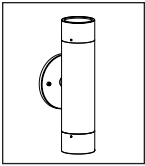
**⚠ All line voltage connections must be made in compliance with the National Electrical Code. Failure to do so will void warranty.**

#### WIRING DIAGRAM (0-10)

4. Mount fixture using two (2) #10-24 hex screws to installed back box. **Seal building envelope as per NEC. Do not overtighten.**

**IMPORTANT SAFETY INFORMATION LISTED ON REVERSE  
READ, FOLLOW, AND SAVE ALL SAFETY AND INSTALLATION INSTRUCTIONS**



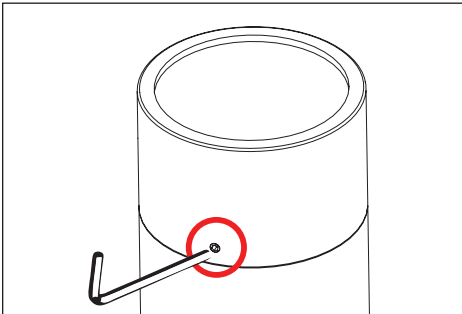


## Standard Installation

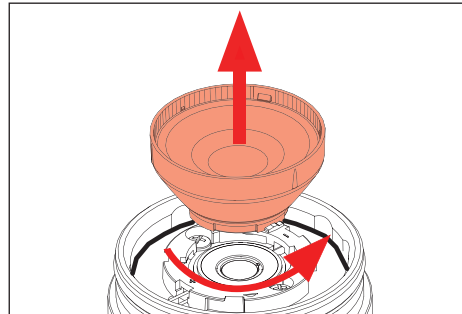
# DENALI

## WALL MOUNT DUAL - INTEGRAL DRIVER - LED

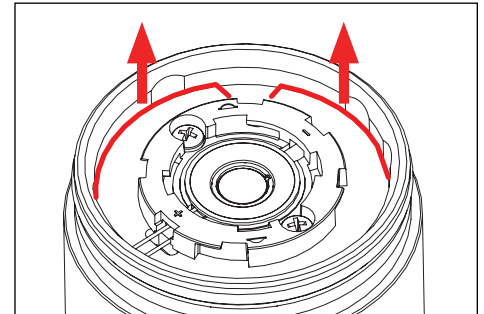
### Integral Driver Replacement



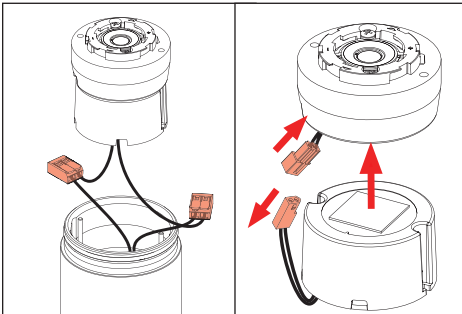
1. Loosen three (3) #8-32 set screws with a 5/64" allen wrench on cap, then remove cap.



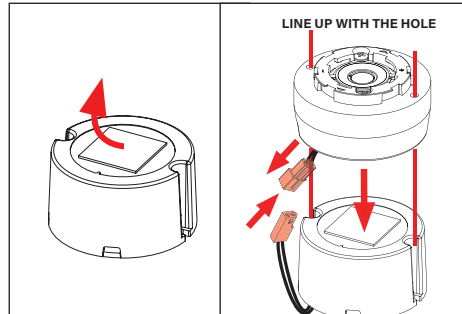
2. Twist and pull away optic.



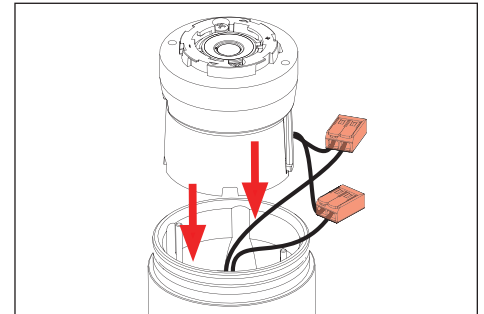
3. Remove retainer.



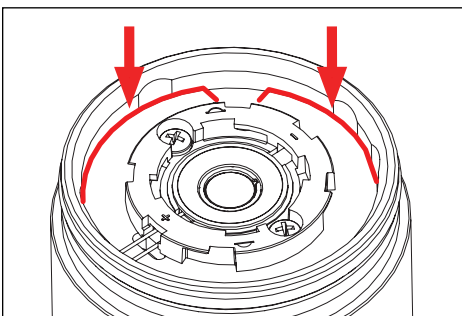
4. Disconnect driver assembly from fixture body.  
5. Separate heatsink from driver assembly via quick disconnect.



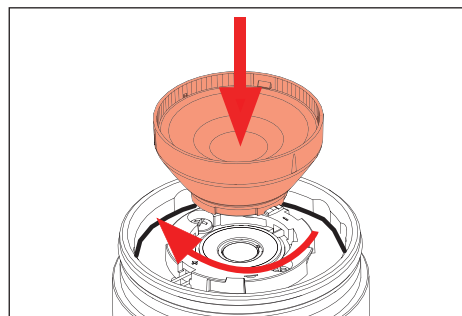
6. Remove protective plastic from the double-sided tape square on clean top of driver assembly.  
7. Reconnect heatsink assembly to driver assembly via quick disconnect. Quick disconnect tucks into space underneath heatsink. Press heatsink down along guides until flush and even with tape on driver.



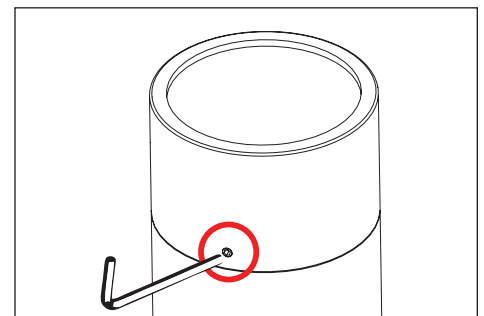
8. Connect new driver assembly to fixture leads. Place connections inside body cavity, then slide down fixture body along guides.



9. Reinstall retainer.



10. Twist to reinstall optic onto optic holder.



11. Install cap by tightening three (3) #8-32 set screws with a 5/64" allen wrench. **Do not over tighten.** Cap should be able to rotate without force.

**IMPORTANT SAFETY INFORMATION LISTED ON REVERSE  
READ, FOLLOW, AND SAVE ALL SAFETY AND INSTALLATION INSTRUCTIONS**



# B-K LIGHTING

40429 Brickyard Drive • Madera, CA 93636 • USA  
559.438.5800 • FAX 559.438.5900  
www.bklighting.com • info@bklighting.com

RELEASE DATE  
02/08/2024

REFERENCE NUMBER  
INS-2823-00