

DEMI CATENARY INTEGRAL - LED

Standard Installation



Flammable



Warning



High Voltage



Hot Surface

TOOLS NEEDED:

- 1/8", 9/64", & 5/64" Allen Wrench
- Waterproof Wire Connectors (Included)
- 1/4" O.D. Aircraft Cable

INSTRUCTIONS PERTAINING TO A RISK OF FIRE, OR INJURY TO PERSONS IMPORTANT SAFETY INSTRUCTIONS

Lighted fixture is HOT!

WARNING - To reduce the risk of FIRE OR INJURY TO PERSONS:

Turn off/unplug and allow to cool before replacing lamp/LED. Fixture gets HOT quickly! Contact only switch/plug when turning on. Do not touch hot lens, guard, or enclosure. Keep fixture away from materials that may burn. Do not operate the luminaire fitting with a missing or damaged shield. Do not touch the source at any time. Use a soft cloth or gloves. Oil from skin may cause damage.

SAVE THESE INSTRUCTIONS

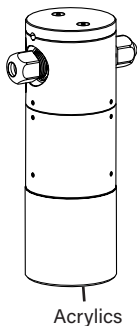
IMPORTANT SAFETY INFORMATION - READ, FOLLOW, AND SAVE ALL SAFETY AND INSTALLATION INSTRUCTIONS

- Product must be installed by a qualified person in a manner consistent with its intended use and in compliance with the National Electrical Code, Canadian Electrical Code, and all Local and Provincial Codes.
- Follow product label information and instructions.
- Qualified Personnel with appropriate personal protective equipment must perform all servicing of this product.
- Before wiring to power supply and during servicing, turn off and lock out power at fuse or circuit breaker before service.
- The use of accessory equipment not recommended by the manufacturer or installed contrary to instructions may cause an unsafe condition. The use of damaged components may cause an unsafe condition and void product warranty.
- Do not block light emanating from product in whole or part, as this may cause an unsafe condition.
- Never operate the fixture with missing or damaged lens. Lens must be cleaned on regular basis.
- Entire fixture may become extremely hot. Do not touch hot lens or fixture body.
- Replace LED assembly only with correct wattage and type of power supply appropriate for LED assembly.
- All gaskets, o-rings and sealing surfaces must be kept clean during installation and service; failure to do this may cause an unsafe condition and void product warranty.

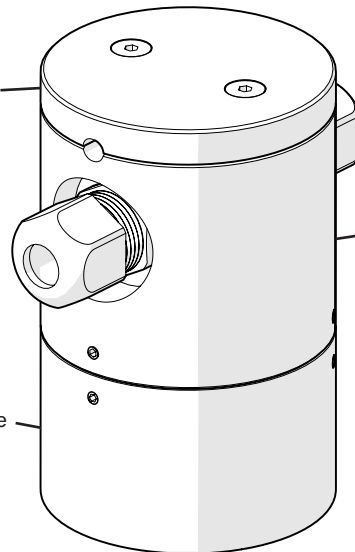
IMPORTANT LISTINGS AND CERTIFICATIONS

- Suitable for wet locations

Acrylics Cap Option



Canopy to Clamp to
Aircraft Cable



Splice Compartment

Demi Fixture

LED CATENARY CABLE MOUNT DEMI WITH INTEGRAL DRIVER

DI-CA

IMPORTANT SAFETY INFORMATION - READ, FOLLOW, AND SAVE THESE INSTALLATION INSTRUCTIONS

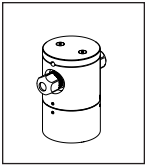
B-K LIGHTING

40429 Brickyard Drive • Madera, CA 93636 • USA
559.438.5800 • FAX 559.438.5900
www.bklighting.com • info@bklighting.com

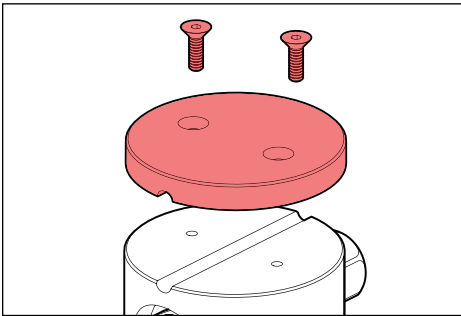
RELEASE DATE
02/09/2024

REFERENCE NUMBER
INS-2873-00

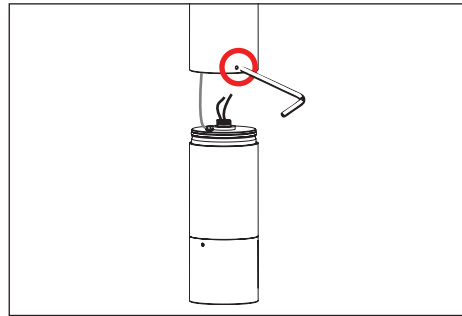
THIS DOCUMENT CONTAINS PROPRIETARY INFORMATION OF B-K LIGHTING, INC. AND ITS RECEIPT OR POSSESSION DOES NOT CONVEY ANY RIGHTS TO REPRODUCE, DISCLOSE ITS CONTENTS, OR TO MANUFACTURE, USE OR SELL ANYTHING IT MAY DESCRIBE. REPRODUCTION, DISCLOSURE OR USE WITHOUT SPECIFIC WRITTEN AUTHORIZATION OF B-K LIGHTING, INC. IS STRICTLY FORBIDDEN.



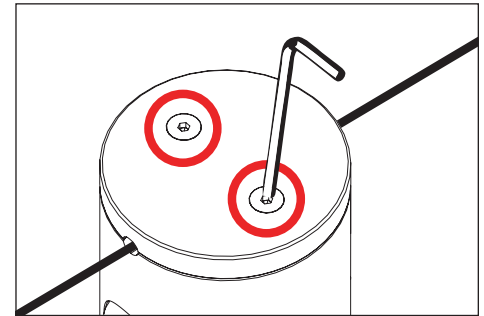
Standard Installation



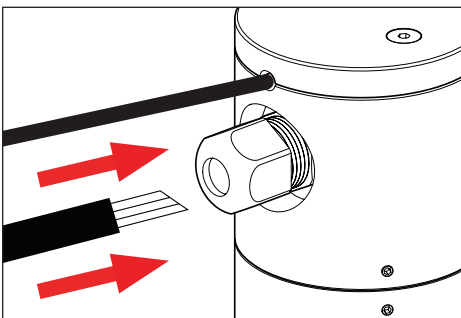
1. Using a 1/8" allen wrench back out two (2) 10#-24 cap screws from clamp to separate.



2. Use a 5/64" allen wrench to separate splice compartment and fixture body.



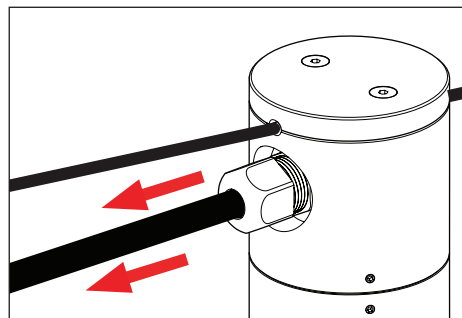
3. Install clamp to splice compartment to 1/4" O.D. aircraft cable (included not included) with two (2) #10-24 cap screws using a 1/8" allen wrench.



4. Bring branch circuit wiring with ROUND jacketed line voltage cable to splice compartment. (.236" min to .472" max. dia., cable not included)

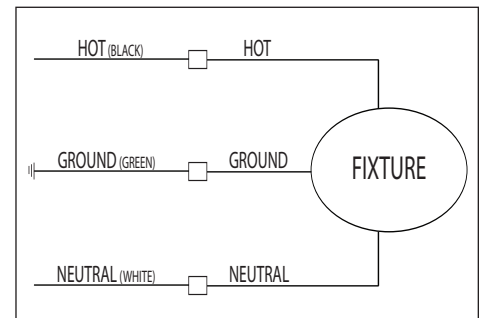
Cut cable at 45 degree angle. Push through Break-Thru Plug to insert cable.

NOTE: ROUND jacketed line voltage cable must be used. (.236" min to .472" max. dia., cable not included)



5. Pull back cable gently to form a tight seal.

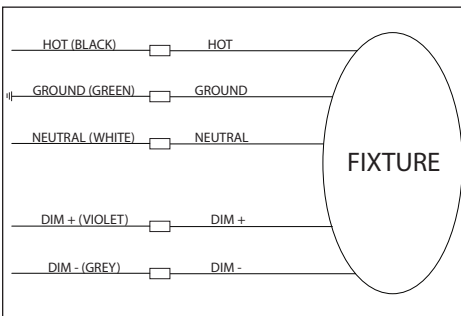
⚠ For Supplemental Wire Clamp Instructions, please see next page.



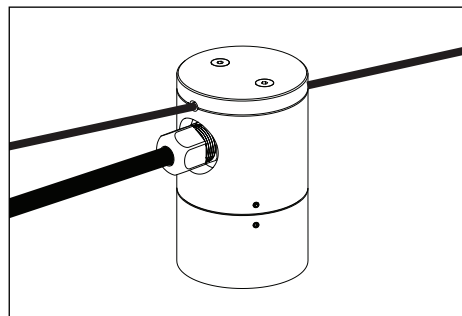
WIRING DIAGRAM

6. Pull branch circuit wiring. Make watertight connections from branch circuit wiring to fixture leads using waterproof wire connectors (included) in splice location as per NEC. UL Listed splice location required. Connect incoming green ground wire to ground wire from fixture. See wiring diagram.

⚠ All line voltage connections must be made in compliance with the National Electrical Code. Failure to do so will void warranty.



WIRING DIAGRAM - Dimming 0/10



7. Place connections inside splice compartment. Attach fixture body to splice compartment. Tighten #8-32 stainless steel set screws with a 5/64" allen wrench.

⚠ NOTE: Do not over-tighten set screws.

**IMPORTANT SAFETY INFORMATION LISTED ON REVERSE
READ, FOLLOW, AND SAVE ALL SAFETY AND INSTALLATION INSTRUCTIONS**

