

Standard Installation

DR2 SHALLOW HOUSING - LED



Flammable



Warning



High Voltage



Hot Surface

TOOLS NEEDED:	1/8" Allen Wrench
	Waterproof Wire Connectors

INSTRUCTIONS PERTAINING TO A RISK OF FIRE, OR INJURY TO PERSONS IMPORTANT SAFETY INSTRUCTIONS

Lighted fixture is HOT!

WARNING - To reduce the risk of FIRE OR INJURY TO PERSONS:

Turn off/unplug and allow to cool before replacing lamp/LED. Fixture gets HOT quickly! Contact only switch/plug when turning on. Do not touch hot lens, guard, or enclosure. Keep fixture away from materials that may burn. Do not operate the luminaire fitting with a missing or damaged shield. Do not touch the source at any time. Use a soft cloth or gloves. Oil from skin may cause damage.

SAVE THESE INSTRUCTIONS

IMPORTANT SAFETY INFORMATION - READ, FOLLOW, AND SAVE ALL SAFETY AND INSTALLATION INSTRUCTIONS

- Product must be installed by a qualified person in a manner consistent with its intended use and in compliance with the National Electrical Code, Canadian Electrical Code, and all Local and Provincial Codes.
- Follow product label information and instructions.
- Qualified Personnel with appropriate personal protective equipment must perform all servicing of this product.
- Before wiring to power supply and during servicing, turn off and lock out power at fuse or circuit breaker before service.
- The use of accessory equipment not recommended by the manufacturer or installed contrary to instructions may cause an unsafe condition. The use of damaged components may cause an unsafe condition and void product warranty.
- Do not block light emanating from product in whole or part, as this may cause an unsafe condition.
- Never operate the fixture with missing or damaged lens. Lens must be cleaned on regular basis.
- Entire fixture may become extremely hot. Do not touch hot lens or fixture body.
- Replace LED assembly only with correct wattage and type of power supply appropriate for LED assembly.
- All gaskets, o-rings and sealing surfaces must be kept clean during installation and service; failure to do this may cause an unsafe condition and void product warranty.

IMPORTANT LISTINGS AND CERTIFICATIONS

- Suitable for wet locations
- Suitable for recessed in ground locations

Proper soil preparation is recommended before installation. See the DIG-IT guide at <https://www.bklighting.com/wp-content/uploads/2024/09/digit.pdf> for more information.

Please refer to the low voltage design guide at "<https://www.bklighting.com/resources/#:~:text=Welcome%20to%20Our%20Low%20Voltage%20Calculator>" before installation for proper wire selection.



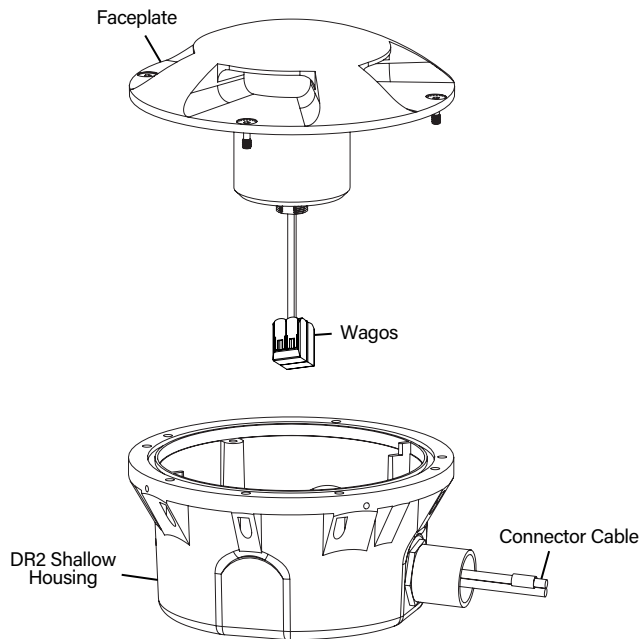
IMPORTANT WARNING

DO NOT use additional sealants or adhesives. Unauthorized modifications may compromise the integrity of the product and will void its warranty.

For any questions, issues, or technical support regarding an installation, please contact our technical support team for assistance before proceeding at (559) 438-5800.



Installer To Provide DRY CONDUIT SYSTEM



IMPORTANT SAFETY INFORMATION - READ, FOLLOW, AND SAVE THESE INSTALLATION INSTRUCTIONS

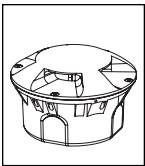
B-K LIGHTING

40429 Brickyard Drive • Madera, CA 93636 • USA
559.438.5800 • FAX 559.438.5900
www.bklighting.com • info@bklighting.com

RELEASE DATE
09/11/2024

REFERENCE NUMBER
INS-2180-00

THIS DOCUMENT CONTAINS PROPRIETARY INFORMATION OF B-K LIGHTING, INC. AND ITS RECEIPT OR POSSESSION DOES NOT CONVEY ANY RIGHTS TO REPRODUCE, DISCLOSE ITS CONTENTS, OR TO MANUFACTURE, USE OR SELL ANYTHING IT MAY DESCRIBE. REPRODUCTION, DISCLOSURE OR USE WITHOUT SPECIFIC WRITTEN AUTHORIZATION OF B-K LIGHTING, INC. IS STRICTLY FORBIDDEN.



Standard Installation

WARNING



This product is intended for use **ONLY** in areas of restricted depth.

The shallow housing does not permit separation between the wiring and lamp compartments.

Designer should detail the following warning in all specifications documents:

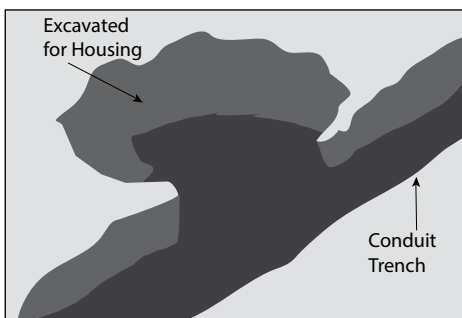
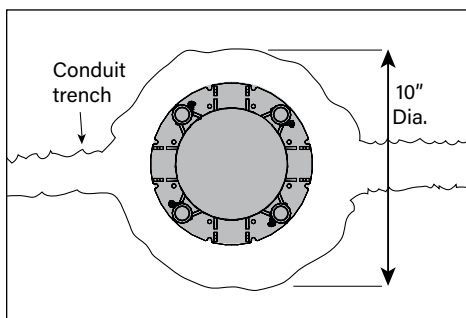


MANDATORY: Installer **MUST** use water-tight fittings and ensure a sealed conduit/wiring system or this fixture will leak. Failure to do so will **VOID WARRANTY**.



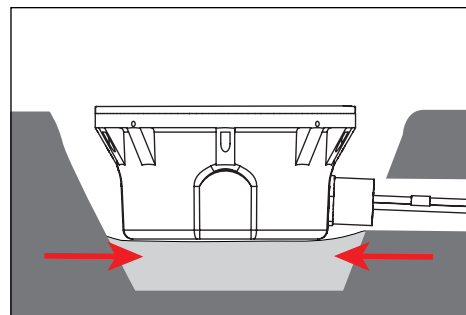
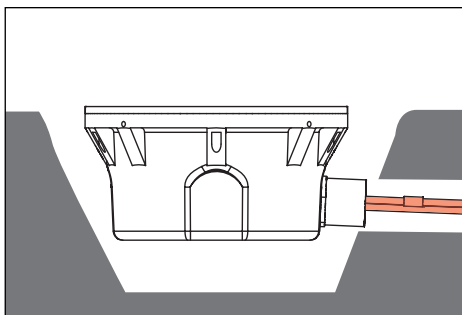
Installer To Provide **DRY CONDUIT SYSTEM**

Soil Prep



- A. Determine Soil Type by referencing DIG-IT Guide.
- B. Dig hole 10" wide and 5" deep.
- C. Prep soil according to DIG-IT Guide.

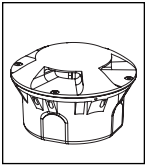
Housing Installation



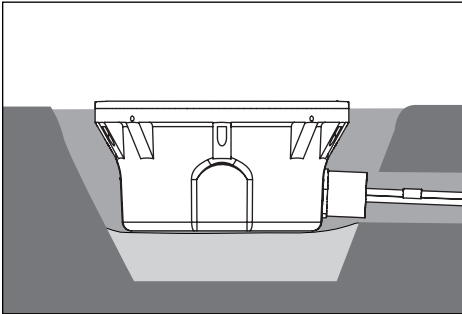
- 1. Place housing in hole. Align holes to final installation orientation. Point arrows on temporary cover toward surface to be illuminated.
- 2. Align power cord with leads in the path of the trench and ensure window(s) in faceplate is aligned according to lighting plan.
- 3. Per DIG-IT Guide, backfill the gap between the bottom of housing and bottom of hole with sand for drainage.

**IMPORTANT SAFETY INFORMATION LISTED ON REVERSE
READ, FOLLOW, AND SAVE ALL SAFETY AND INSTALLATION INSTRUCTIONS**





Standard Installation



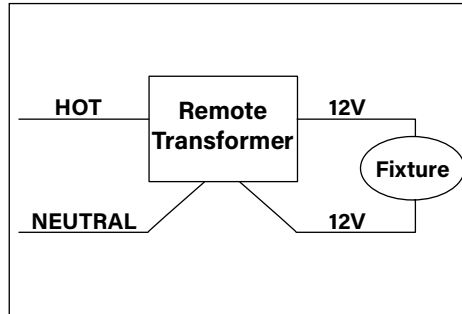
4. Fill the hole around the fixture housing to 12" below the finished grade with clean fill dirt and tamp carefully to prevent settling of fixture. Pour concrete and finish as required flush with grade.

⚠ Under no circumstances should the faceplate be below grade after installation.

Fixture Installation



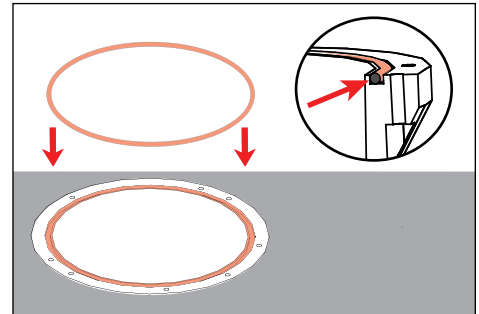
1. Remove temporary cover.



WIRING DIAGRAM

2. Connect the fixture leads to remote low voltage transformer via connector with wagos (included). See wiring diagram.

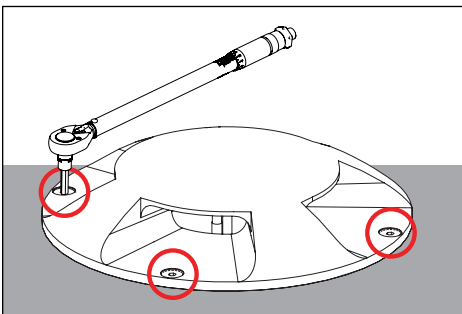
⚠ LED - For use with 12VAC LED remote transformer or magnetic transformers only. B-K Lighting cannot guarantee performance with third party manufacturers' transformers.



3. Remove any dirt or debris in o-ring groove near top of housing. Place o-ring inside of groove.

⚠ Failure to clean groove of debris will cause fixture to fail and void product warranty.

⚠ NOTE: See warning on page 1. Failure to comply with requirements will void warranty.



4. Install faceplate using 1/8" allen wrench and hand-tighten the four (4) #10-24 faceplate screws in a cross pattern to 30 in-lbs. min. to create proper seal.

⚠ Do not use a power tool to install screws. Do not exceed 40 in-lbs.

⚠ NOTE: See warning on page 1. Failure to comply with requirements will void warranty.

**IMPORTANT SAFETY INFORMATION LISTED ON REVERSE
READ, FOLLOW, AND SAVE ALL SAFETY AND INSTALLATION INSTRUCTIONS**

