

*Standard Installation*



Flammable



Warning



High Voltage



Hot Surface

<b>TOOLS NEEDED:</b>	3/32", 5/32", & 5/64" Allen Wrench
	Waterproof Wire Connectors

**INSTRUCTIONS PERTAINING TO A RISK OF FIRE, OR INJURY TO PERSONS IMPORTANT SAFETY INSTRUCTIONS**

**Lighted fixture is HOT!**

**WARNING - To reduce the risk of FIRE OR INJURY TO PERSONS:**

Turn off/unplug and allow to cool before replacing lamp/LED. Fixture gets HOT quickly! Contact only switch/plug when turning on. Do not touch hot lens, guard, or enclosure. Keep fixture away from materials that may burn. Do not operate the luminaire fitting with a missing or damaged shield. Do not touch the source at any time. Use a soft cloth or gloves. Oil from skin may cause damage.

**SAVE THESE INSTRUCTIONS**

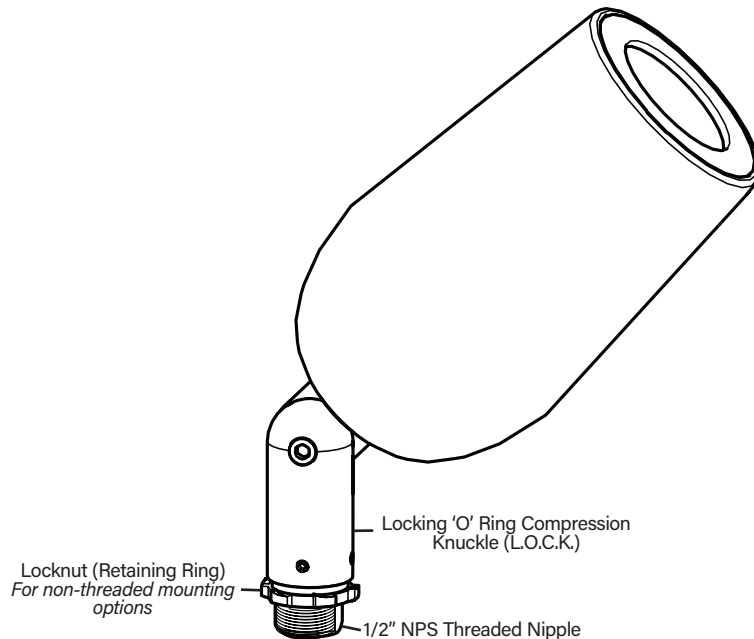
**IMPORTANT SAFETY INFORMATION - READ, FOLLOW, AND SAVE ALL SAFETY AND INSTALLATION INSTRUCTIONS**

- Product must be installed by a qualified person in a manner consistent with its intended use and in compliance with the National Electrical Code, Canadian Electrical Code, and all Local and Provincial Codes.
- Follow product label information and instructions.
- Qualified Personnel with appropriate personal protective equipment must perform all servicing of this product.
- Before wiring to power supply and during servicing, turn off and lock out power at fuse or circuit breaker before service.
- The use of accessory equipment not recommended by the manufacturer or installed contrary to instructions may cause an unsafe condition. The use of damaged components may cause an unsafe condition and void product warranty.
- Do not block light emanating from product in whole or part, as this may cause an unsafe condition.
- Never operate the fixture with missing or damaged lens. Lens must be cleaned on regular basis.
- Entire fixture may become extremely hot. Do not touch hot lens or fixture body.
- Replace LED assembly only with correct wattage and type of power supply appropriate for LED assembly.
- All gaskets, o-rings and sealing surfaces must be kept clean during installation and service; failure to do this may cause an unsafe condition and void product warranty.

**IMPORTANT LISTINGS AND CERTIFICATIONS**

- Suitable for wet locations • Additionally suitable for mounting within 4 ft. of the ground

**RO- Rio**



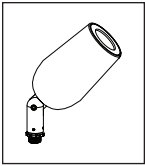
**IMPORTANT SAFETY INFORMATION - READ, FOLLOW, AND SAVE THESE INSTALLATION INSTRUCTIONS**

**B-K LIGHTING**

40429 Brickyard Drive • Madera, CA 93636 • USA  
559.438.5800 • FAX 559.438.5900  
www.bklighting.com • info@bklighting.com

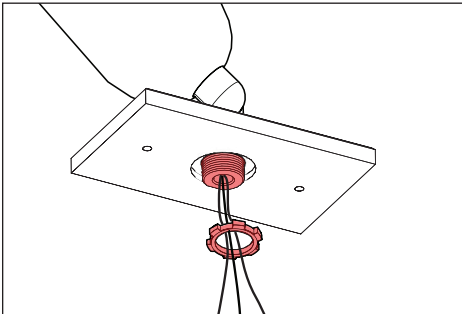
RELEASE DATE  
08/13/2025

REFERENCE NUMBER  
INS-2841-00

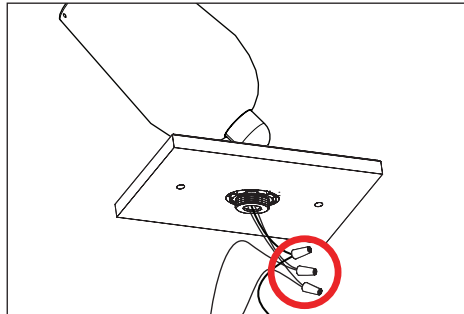


**Standard Installation**

**Fixture Installation with Standard Knuckle**

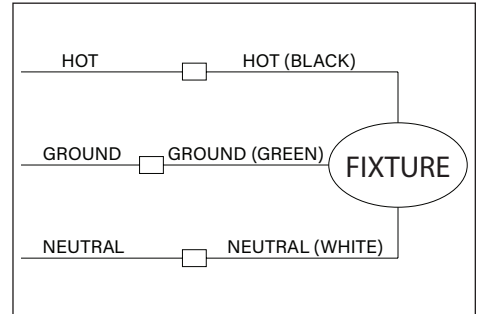


1. Mount knuckle onto suitable enclosure according to designed lighting plan.
2. Secure 1/2" NPS stem to mounting option. Secure with provided locknut if applicable.



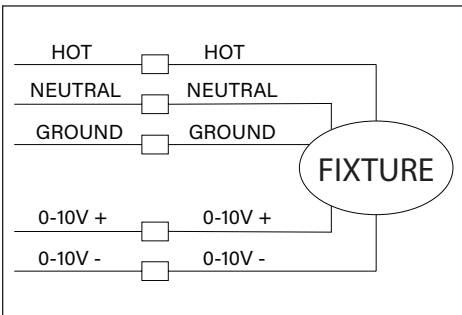
3. Make watertight connections from remote transformer to fixture leads using waterproof wire connectors (not included). **See wiring diagram.**

**⚠ Failure to use waterproof wire connectors will cause fixture to fail and VOID PRODUCT WARRANTY.**

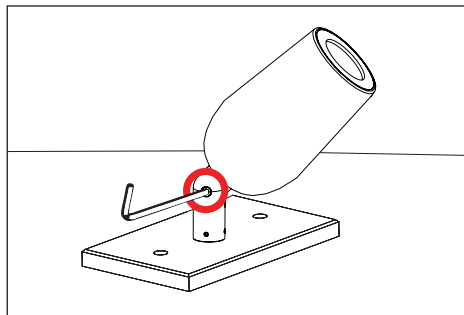


**WIRING DIAGRAM**

**⚠ All line voltage connections must be made in compliance with the National Electrical Code. Failure to do so will void warranty.**

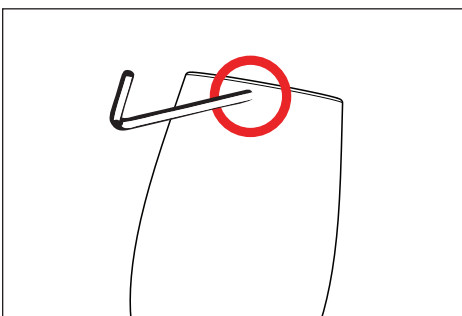


**WIRING DIAGRAM (0-10)**



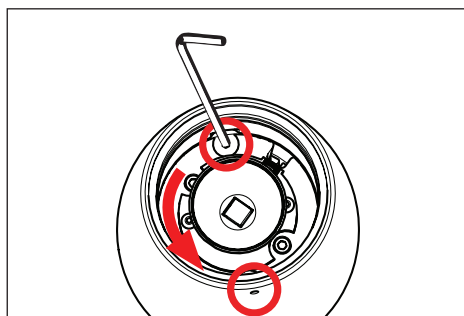
4. Use a 5/32" allen wrench to slightly loosen #10-32 stainless steel black oxide socket head cap screw at the knuckle for aiming purposes. Tighten to secure desired location.

**Replacing LED Board/Driver and Optics**

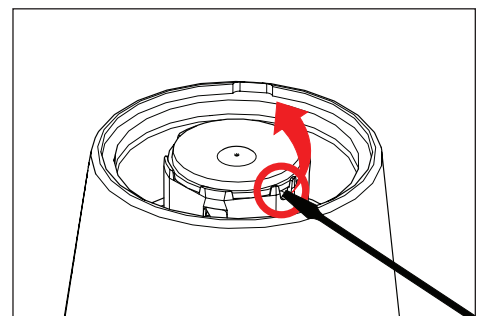


1. Use a 1/16" allen wrench to loosen #6-32 stainless set screw and remove cap.

**⚠ NOTE: To remove C Cap, use a suction cup, Caps will be provided with the replacement parts, not with new fixtures.**



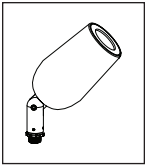
2. Rotate the two (2) 8-32 flat head cap screws using a 3/32" allen wrench clockwise until they bottom out into the heatsink, then rotate the heatsink so the screws line up with the grooves. Remove the two (2) 8-32 flat head cap screws from the heatsink completely.



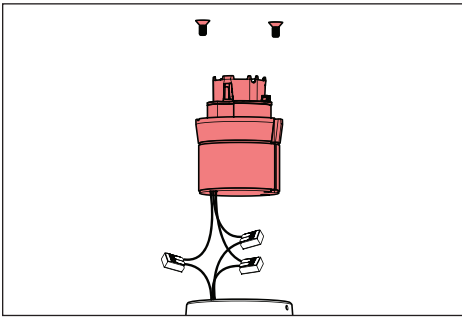
3. Use flat head screwdriver to gently remove optic from holder.

**IMPORTANT SAFETY INFORMATION LISTED ON REVERSE  
READ, FOLLOW, AND SAVE ALL SAFETY AND INSTALLATION INSTRUCTIONS**

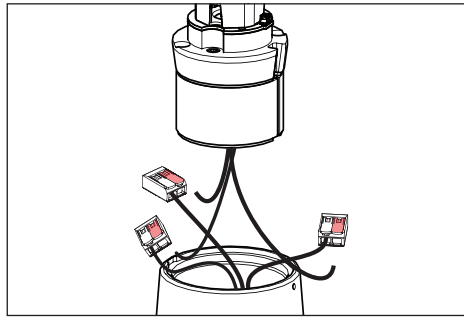




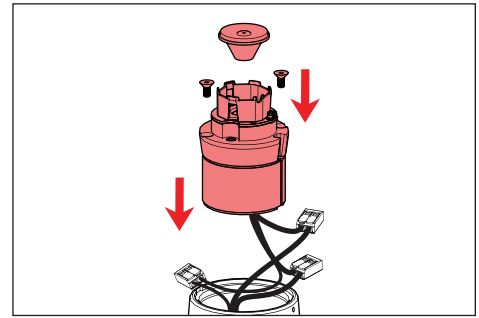
*Standard Installation*



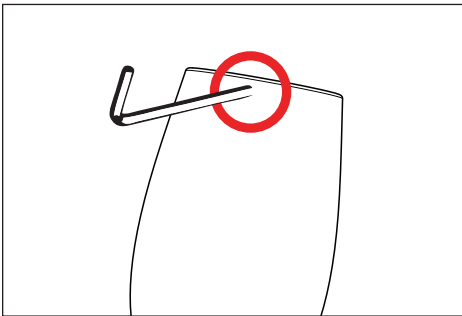
3. Disengage LED board and driver assembly.



4. Disconnect driver assembly from fixture body.



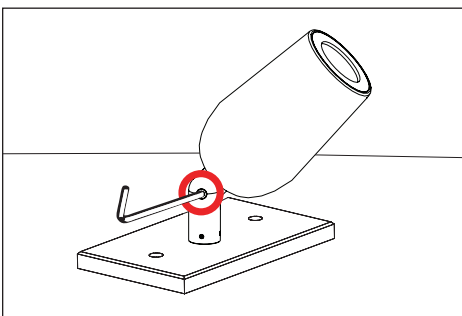
5. Connect new driver assembly to fixture leads. Gently snap new optic into holder. Place connections inside body cavity, reinsert new heatsink assy back into body. Reinstall two (2) 8-32 flat head cap screws completely onto the heatsink until screws catch under the groove on the body. Rotate the two (2) 8-32 flat head cap screws counterclockwise until they are snug against the top of the groove.



6. Place cap on fixture and tighten set screw. Tighten screw to 1/2 inch pounds.

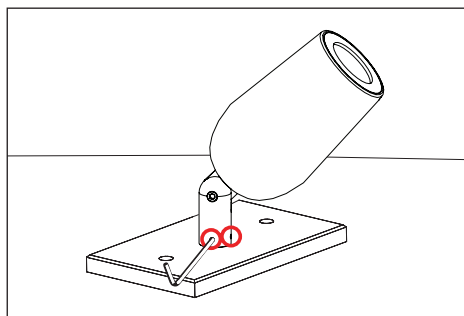
**⚠ Warning: Do not over tighten set screw. Doing so will compromise o-ring seal and will void warranty.**

**360SL Knuckle**

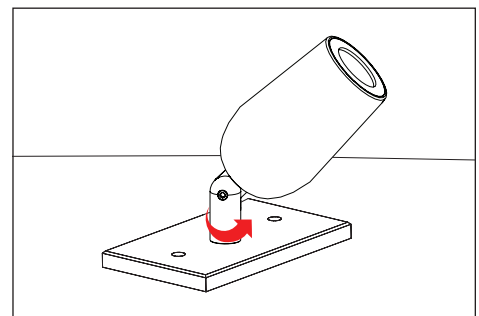


4. Use a 5/32" allen wrench to slightly loosen #10-32 stainless steel black oxide socket head cap screw at the knuckle for vertical aiming purposes. Tighten #10-32 stainless steel black oxide socket head cap screw to 15 in-lbs minimum to 30 in-lbs maximum to secure vertical aiming position.

**⚠ Warning: Do not over tighten set screw. Doing so will compromise o-ring seal and will void warranty.**



5. Use a 5/64" allen wrench to slightly loosen two (2) #8-32 stainless steel set screws on the stem for 360° aiming purpose.



6. Rotate fixture at base and aim fixture to desired horizontal location.

7. Tighten two (2) #8-32 stainless steel set screws on stem to secure horizontal aiming position.

**IMPORTANT SAFETY INFORMATION LISTED ON REVERSE  
READ, FOLLOW, AND SAVE ALL SAFETY AND INSTALLATION INSTRUCTIONS**

