

Remote Transformer Installation Instructions



Flammable



Warning



High Voltage



Hot Surface

TOOLS NEEDED:	
	1/8" Allen Wrench
	Waterproof Wire Connectors (Required)
	Level
	Phillips Screwdriver
	Torque Wrench

INSTRUCTIONS PERTAINING TO A RISK OF FIRE, OR INJURY TO PERSONS IMPORTANT SAFETY INSTRUCTIONS

Lighted fixture is HOT!
WARNING - To reduce the risk of FIRE OR INJURY TO PERSONS:
 Turn off/unplug and allow to cool before replacing lamp/LED. Fixture gets HOT quickly! Contact only switch/plug when turning on. Do not touch hot lens, guard, or enclosure. Keep fixture away from materials that may burn. Do not operate the luminaire fitting with a missing or damaged shield. Do not touch the source at any time. Use a soft cloth or gloves. Oil from skin may cause damage.

SAVE THESE INSTRUCTIONS

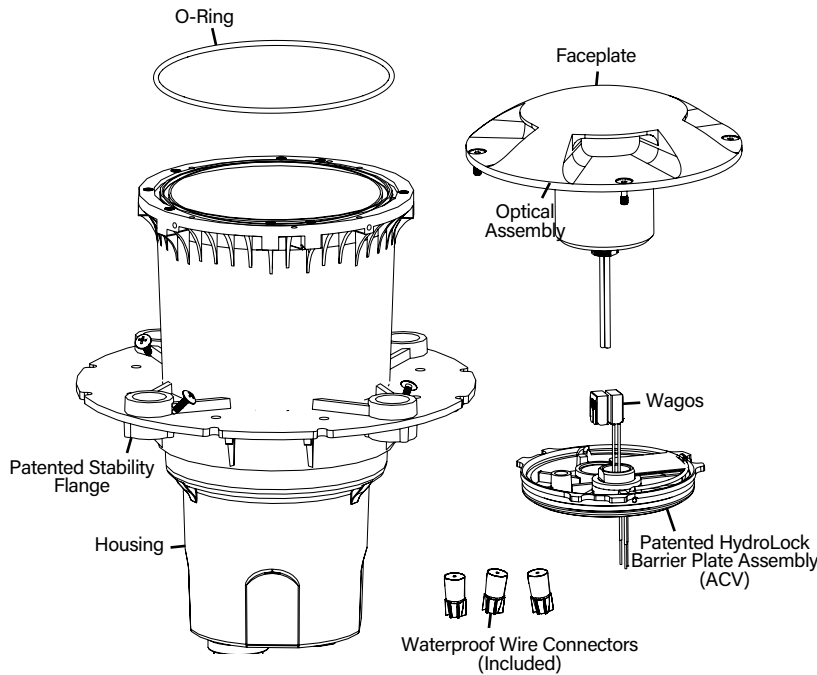
IMPORTANT SAFETY INFORMATION - READ, FOLLOW, AND SAVE ALL SAFETY AND INSTALLATION INSTRUCTIONS

- Product must be installed by a qualified person in a manner consistent with its intended use and in compliance with the National Electrical Code, Canadian Electrical Code, and all Local and Provincial Codes.
- Follow product label information and instructions.
- Qualified Personnel with appropriate personal protective equipment must perform all servicing of this product.
- Before wiring to power supply and during servicing, turn off and lock out power at fuse or circuit breaker before service.
- The use of accessory equipment not recommended by the manufacturer or installed contrary to instructions may cause an unsafe condition. The use of damaged components may cause an unsafe condition and void product warranty.
- Do not block light emanating from product in whole or part, as this may cause an unsafe condition.
- Never operate the fixture with missing or damaged lens. Lens must be cleaned on regular basis.
- Entire fixture may become extremely hot. Do not touch hot lens or fixture body.
- Replace LED assembly only with correct wattage and type of power supply appropriate for LED assembly.
- All gaskets, o-rings and sealing surfaces must be kept clean during installation and service; failure to do this may cause an unsafe condition and void product warranty.

IMPORTANT LISTINGS AND CERTIFICATIONS

- Suitable for wet locations

Proper soil preparation is recommended before installation. See the DIG-IT guide at <https://www.bklighting.com/wp-content/uploads/2024/09/digit.pdf> for more information.



⚠ IMPORTANT WARNING

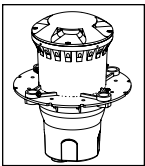
DO NOT use additional sealants or adhesives. Unauthorized modifications may compromise the integrity of the product and will void its warranty.

For any questions, issues, or technical support regarding an installation, please contact our technical support team for assistance before proceeding at (559) 438-5800.

IMPORTANT SAFETY INFORMATION - READ, FOLLOW, AND SAVE THESE INSTALLATION INSTRUCTIONS

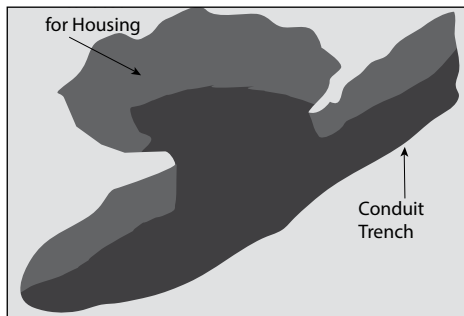
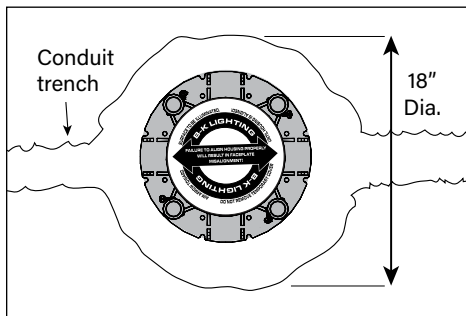
B-K LIGHTING	40429 Brickyard Drive • Madera, CA 93636 • USA 559.438.5800 • FAX 559.438.5900 www.bklighting.com • info@bklighting.com	RELEASE DATE	REFERENCE NUMBER
		09/11/2024	INS-2406-00

THIS DOCUMENT CONTAINS PROPRIETARY INFORMATION OF B-K LIGHTING, INC. AND ITS RECEIPT OR POSSESSION DOES NOT CONVEY ANY RIGHTS TO REPRODUCE, DISCLOSE ITS CONTENTS, OR TO MANUFACTURE, USE OR SELL ANYTHING IT MAY DESCRIBE. REPRODUCTION, DISCLOSURE OR USE WITHOUT SPECIFIC WRITTEN AUTHORIZATION OF B-K LIGHTING, INC. IS STRICTLY FORBIDDEN.



Remote Transformer Installation Instructions

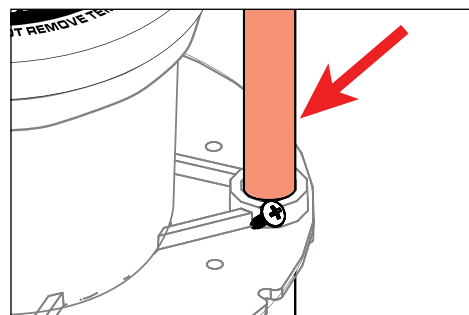
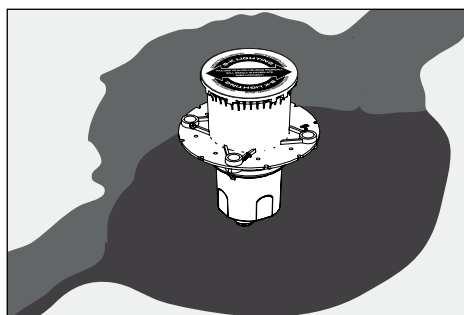
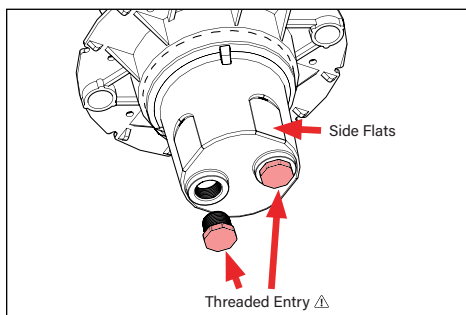
Soil Prep



1. Determine Soil Type by referencing DIG-IT Guide.
2. Dig hole 18" wide and 18" deep.
3. Prep soil according to DIG-IT Guide.

SCAN WITH SMART DEVICE OR CLICK THE BAR CODE FOR ONLINE DIG-IT GUIDE

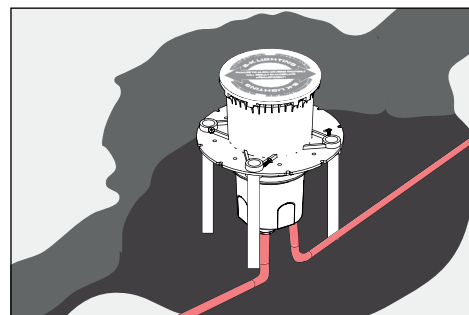
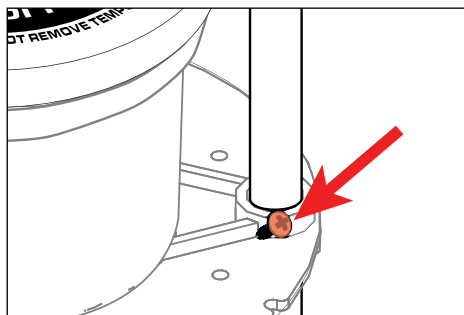
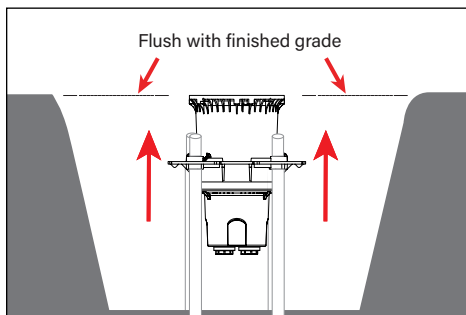
Housing Installation



1. Connect branch conduit connectors (not included) to the junction box using either the threaded conduit entries on the bottom of the junction box or through holes drilled into the sides of the junction box.
2. Place housing in hole. Align junction box in the path of the conduit trench.
3. Insert four (4) pieces of 1/2" EMT conduit through the stability flange. Hammer into substrate until secure.

⚠ Remove 3/4" plug to install conduit connector. Any unused conduit entries should remain plugged.

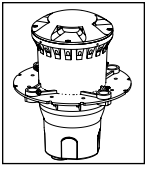
⚠ Leave sufficient clearance to elevate housing to finished grade.



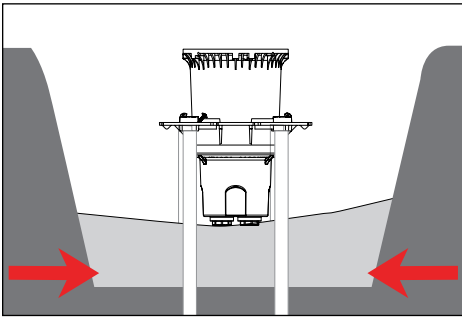
4. Raise housing on EMT so housing is flush with finished grade. Use a level to aid in housing installation.
5. When housing is level, tighten screws on stability flange to secure housing to EMT. Remove excess EMT as needed.
6. Pull primary branch circuit wiring into junction box.

**IMPORTANT SAFETY INFORMATION LISTED ON REVERSE
READ, FOLLOW, AND SAVE ALL SAFETY AND INSTALLATION INSTRUCTIONS**

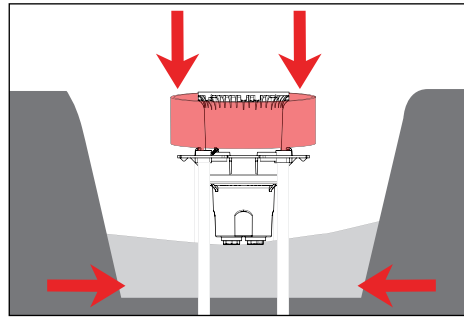




Remote Transformer Installation Instructions

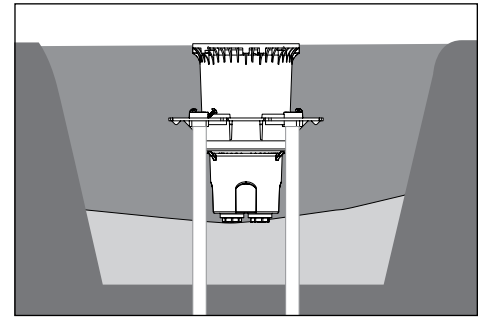


7. Per DIG-IT Guide, backfill the gap between the bottom of housing and bottom of hole with sand for drainage.



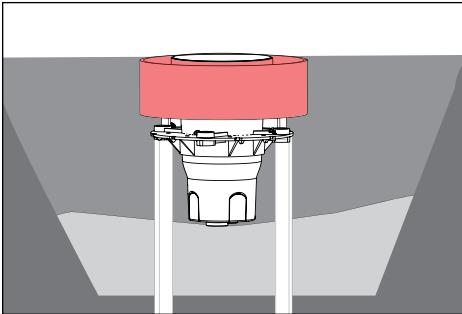
OPTIONAL GROUT MASK INSTALLATION (IF ORDERED)

7. Fill partway, then place grout mask around housing, centered at faceplate. Insert stakes through stability flange. Top of grout mask should be flush with grade.



8. **For soil installation:** Fill and tamp soil to the appropriate height leaving room for sod, pavers, etc. to be level with the top of the temporary cover.

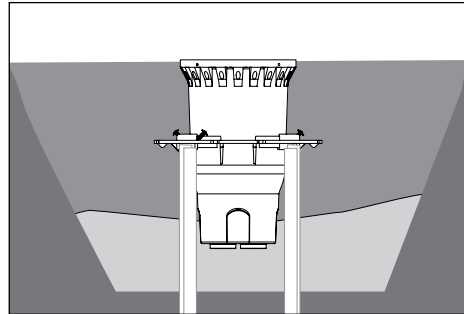
⚠ **Soil installation is not drive-over rated.**



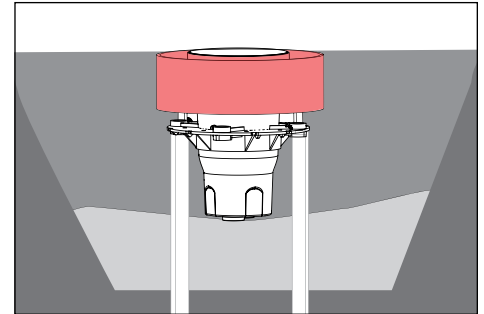
OPTIONAL GROUT MASK INSTALLATION (IF ORDERED)

8. **For soil installation:** Fill and tamp soil to the appropriate height leaving room for sod, pavers, etc. to be level with the top of the temporary cover.

⚠ **Soil installation is not drive-over rated.**



9. **For concrete installation:** Fill the hole around the fixture housing to 12" below the finished grade with clean fill dirt and tamp carefully to prevent settling of fixture. Pour concrete and finish as required flush with the top surface of the temporary cover.



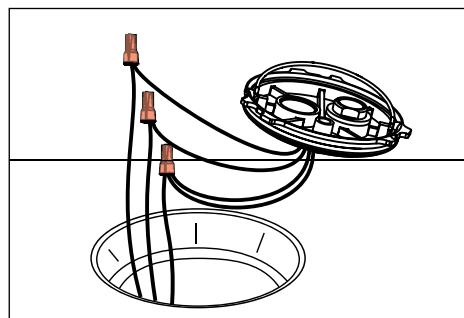
OPTIONAL GROUT MASK INSTALLATION (IF ORDERED)

9. **For concrete installation:** Fill the hole around the fixture housing to 12" below the finished grade with clean fill dirt and tamp carefully to prevent settling of fixture. Pour concrete and finish as required flush with the top surface of the grout mask.

Installation Fixture

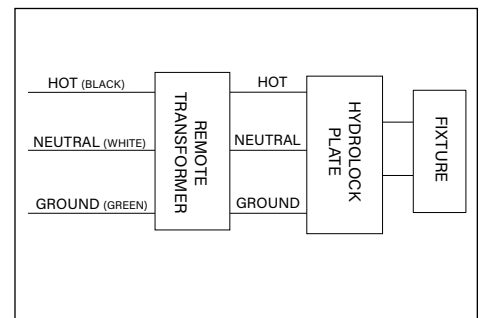


1. Remove temporary cover.



2. Make watertight connections using waterproof wire connectors (included) to leads on the bottom of Patented HydroLock Barrier Plate Assembly. See wiring diagram.

⚠ **NOTE: Failure to use waterproof wire connectors will void warranty**

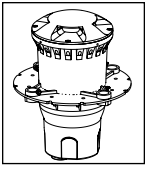


WIRING DIAGRAM

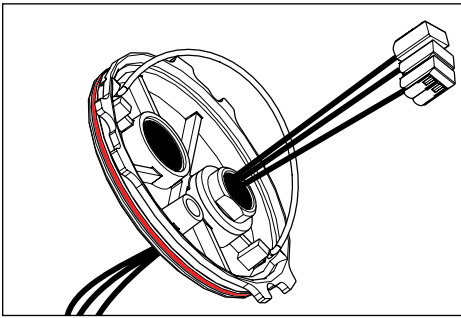
⚠ **LED - For use with 12VAC LED remote transformer or magnetic transformers only. B-K Lighting cannot guarantee performance with third party manufacturers' transformers.**

**IMPORTANT SAFETY INFORMATION LISTED ON REVERSE
READ, FOLLOW, AND SAVE ALL SAFETY AND INSTALLATION INSTRUCTIONS**

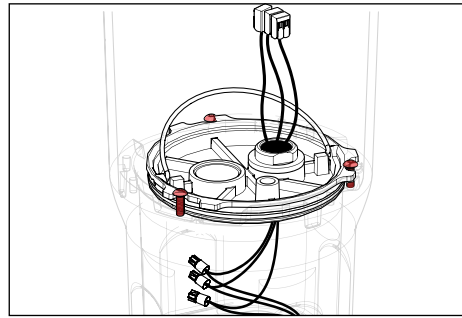




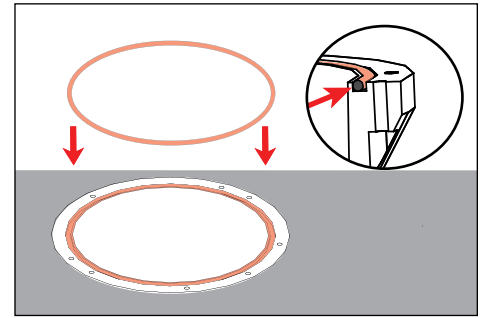
Remote Transformer Installation Instructions



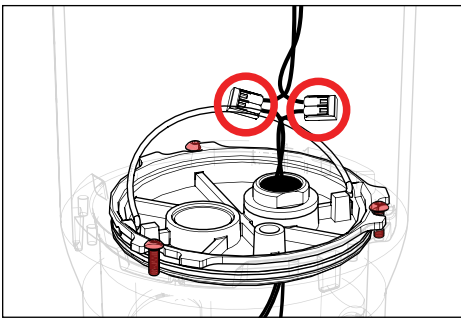
3. Wipe o-ring clean of debris on Patented HydroLock Barrier Plate. Install Patented HydroLock Barrier Plate by aligning keyholes with dome-topped fasteners at the bottom of the housing and while grasping handle; push down on Patented HydroLock Barrier Plate until firmly seated.



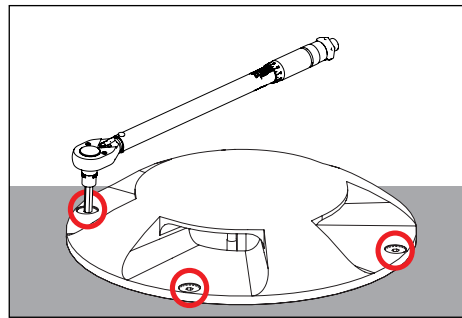
4. Turn HydroLock Barrier Plate clockwise 1/4" to lock.
⚠ Patented HydroLock Barrier Plate must be completely seated to ensure proper seal or water may intrude. This step must be done as stated or you will void your warranty.



5. Carefully place o-ring into the groove on top of housing, keep free of dirt and debris. Dirt and debris may allow water entry into fixture.
⚠ This step must be done as stated or you will void your warranty.
⚠ NOTE: See warning on page 1. Failure to comply with requirements will void warranty.



6. Connect optical assembly and faceplate to Patented HydroLock Barrier Plate with the wagos (included).



7. Lower faceplate and optical assembly into DR2 housing, then secure faceplate to housing with four (4) #10-24 socket head screws as provided on faceplate with a 1/8" allen wrench. Hand tighten screws in a cross pattern to 30 in-lbs. to create proper seal.
⚠ Do not use a power tool to install screws. Do not exceed 40 in-lbs.
⚠ NOTE: See warning on page 1. Failure to comply with requirements will void warranty.

**IMPORTANT SAFETY INFORMATION LISTED ON REVERSE
READ, FOLLOW, AND SAVE ALL SAFETY AND INSTALLATION INSTRUCTIONS**

