

Standard Installation



Flammable



Warning



High Voltage



Hot Surface

TOOLS NEEDED:	
	1/8" Allen Wrench
	Waterproof Wire Connectors (Required)
	Level
	Phillips Screwdriver
	Torque Wrench

INSTRUCTIONS PERTAINING TO A RISK OF FIRE, OR INJURY TO PERSONS IMPORTANT SAFETY INSTRUCTIONS

Lighted fixture is HOT!

WARNING - To reduce the risk of FIRE OR INJURY TO PERSONS:

Turn off/unplug and allow to cool before replacing lamp/LED. Fixture gets HOT quickly! Contact only switch/plug when turning on. Do not touch hot lens, guard, or enclosure. Keep fixture away from materials that may burn. Do not operate the luminaire fitting with a missing or damaged shield. Do not touch the source at any time. Use a soft cloth or gloves. Oil from skin may cause damage.

SAVE THESE INSTRUCTIONS

IMPORTANT SAFETY INFORMATION - READ, FOLLOW, AND SAVE ALL SAFETY AND INSTALLATION INSTRUCTIONS

- Product must be installed by a qualified person in a manner consistent with its intended use and in compliance with the National Electrical Code, Canadian Electrical Code, and all Local and Provincial Codes.
- Follow product label information and instructions.
- Qualified Personnel with appropriate personal protective equipment must perform all servicing of this product.
- Before wiring to power supply and during servicing, turn off and lock out power at fuse or circuit breaker before service.
- The use of accessory equipment not recommended by the manufacturer or installed contrary to instructions may cause an unsafe condition. The use of damaged components may cause an unsafe condition and void product warranty.
- Do not block light emanating from product in whole or part, as this may cause an unsafe condition.
- Never operate the fixture with missing or damaged lens. Lens must be cleaned on regular basis.
- Entire fixture may become extremely hot. Do not touch hot lens or fixture body.
- Replace LED assembly only with correct wattage and type of power supply appropriate for LED assembly.
- All gaskets, o-rings and sealing surfaces must be kept clean during installation and service; failure to do this may cause an unsafe condition and void product warranty.

IMPORTANT LISTINGS AND CERTIFICATIONS

- Suitable for wet locations • Suitable for recessed in ground locations

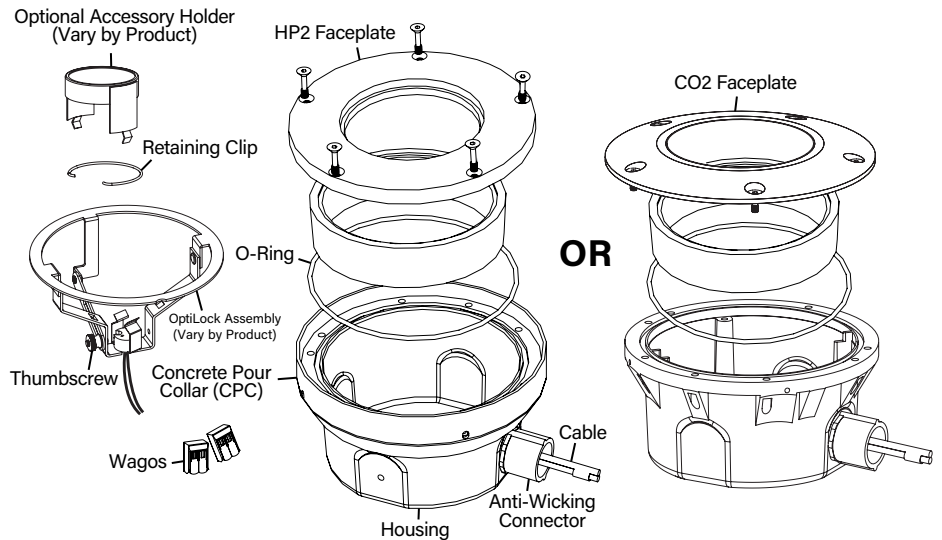
Proper soil preparation is recommended before installation. See the DIG-IT guide at <https://www.bklighting.com/wp-content/uploads/2024/09/digit.pdf> for more information.

IMPORTANT WARNING

DO NOT use additional sealants or adhesives. Unauthorized modifications may compromise the integrity of the product and will void its warranty.

For any questions, issues, or technical support regarding an installation, please contact our technical support team for assistance before proceeding at (559) 438-5800.

Installer To Provide DRY CONDUIT SYSTEM



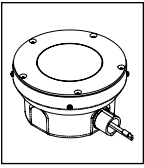
IMPORTANT SAFETY INFORMATION - READ, FOLLOW, AND SAVE THESE INSTALLATION INSTRUCTIONS

B-K LIGHTING

40429 Brickyard Drive • Madera, CA 93636 • USA
559.438.5800 • FAX 559.438.5900
www.bklighting.com • info@bklighting.com

RELEASE DATE
09/11/2024

REFERENCE NUMBER
INS-2856-00



Standard Installation

WARNING



This product is intended for use ONLY in areas of restricted depth.

Designer should detail the following warning in all specifications documents:

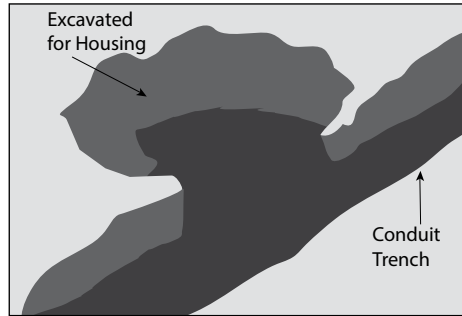
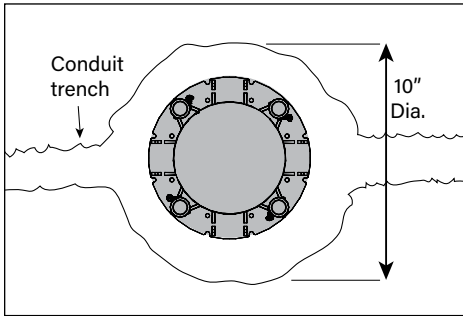


MANDATORY: Installer **MUST** use water-tight fittings and ensure a sealed conduit/wiring system or this fixture will leak. Failure to do so will **VOID WARRANTY.**



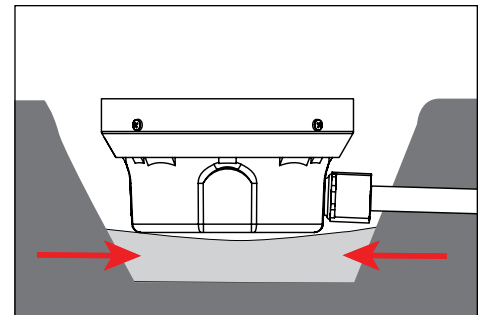
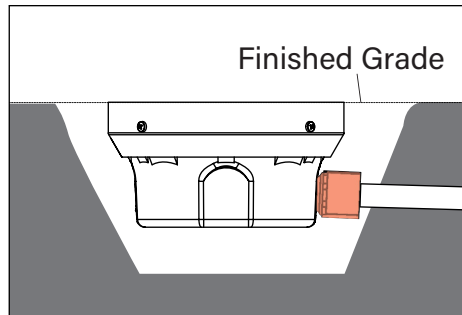
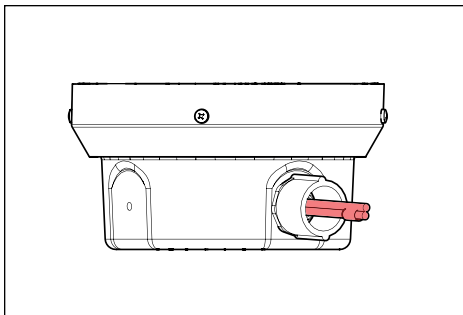
Installer To Provide DRY CONDUIT SYSTEM

Soil Prep



- A. Determine Soil Type by referencing DIG-IT Guide.
- B. Dig hole 10" wide and 5" deep.
- C. Prep soil according to DIG-IT Guide.

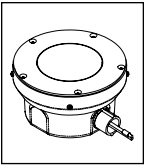
Housing Installation - (For use with HP2 Faceplate)



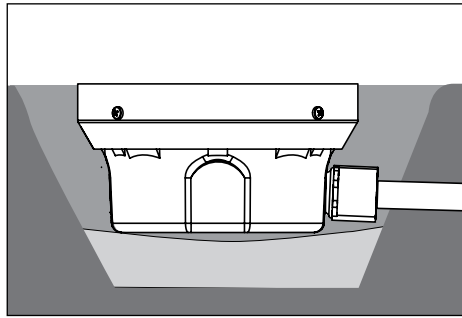
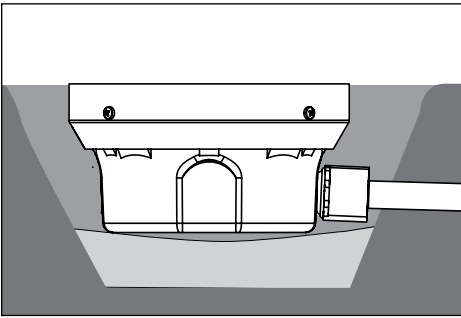
- 1. Secondary wiring is pre-wired with 5' leads. Pull 5' secondary leads from shallow HP2 housing through 3/4" conduit. Make watertight connections to secondary side of remote transformer using waterproof wire connectors in a waterproof splice compartment (not included) as per NEC.
- 2. Place housing in excavated hole. Align power cord with leads in the path of the conduit trench(es).
- 3. Per DIG-IT Guide, backfill the gap between the bottom of housing and bottom of hole with sand for drainage.

IMPORTANT SAFETY INFORMATION LISTED ON REVERSE
READ, FOLLOW, AND SAVE ALL SAFETY AND INSTALLATION INSTRUCTIONS





Standard Installation



4. **For soil installation:** Fill and tamp soil to the appropriate height leaving room for sod, pavers, etc. to be level with the top of the faceplate.

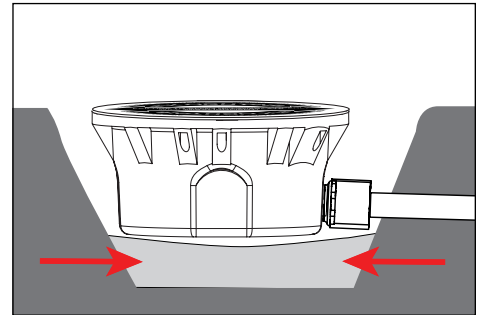
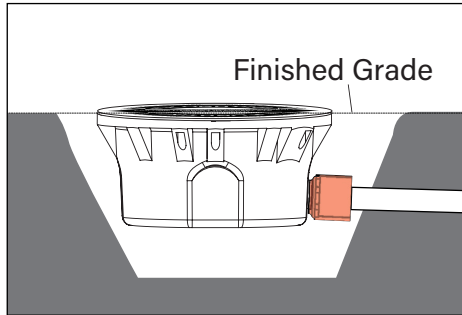
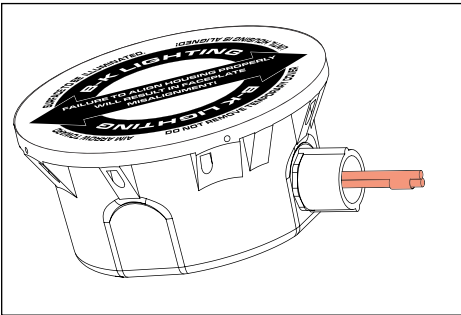
5. **For concrete installation:** Fill the hole around the fixture housing to 12" below the finished grade with clean fill dirt and tamp carefully to prevent settling of fixture. Pour concrete and finish as required flush with the top surface of the temporary cover.

⚠ **Under no circumstances should the faceplate be below grade after installation.**

⚠ **Soil installation is not drive-over rated.**

⚠ **Under no circumstances should the faceplate be below grade after installation.**

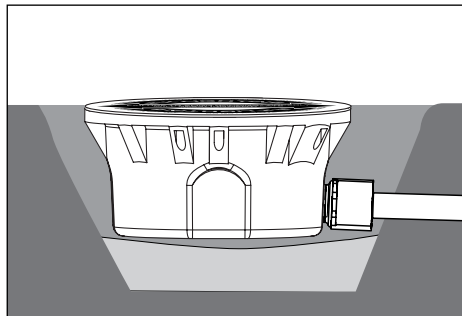
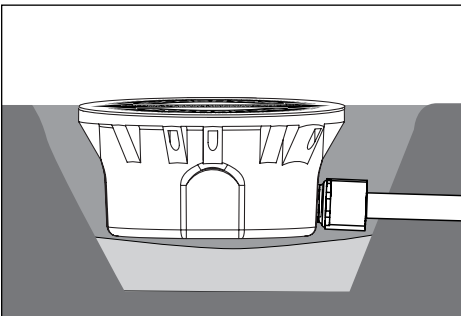
Fixture Installation - (For use with CO2 Faceplate)



1. Secondary wiring is pre-wired with 5' leads. Pull 5' secondary leads from shallow CO2 housing through 3/4" conduit. Make watertight connections to secondary side of remote transformer using waterproof wire connectors in a waterproof splice compartment (not included) as per NEC.

2. Place housing in excavated hole. Align power cord with leads in the path of the conduit trench(es).

3. Per DIG-IT Guide, backfill the gap between the bottom of housing and bottom of hole with sand for drainage.



4. **For soil installation:** Fill and tamp soil to the appropriate height leaving room for sod, pavers, etc. to be level with the top of the faceplate.

5. **For concrete installation:** Fill the hole around the fixture housing to 12" below the finished grade with clean fill dirt and tamp carefully to prevent settling of fixture. Pour concrete and finish as required flush with the top surface of the temporary cover.

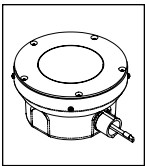
⚠ **Under no circumstances should the faceplate be below grade after installation.**

⚠ **Soil installation is not drive-over rated.**

⚠ **Under no circumstances should the faceplate be below grade after installation.**

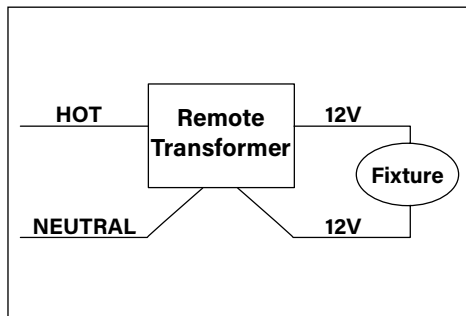
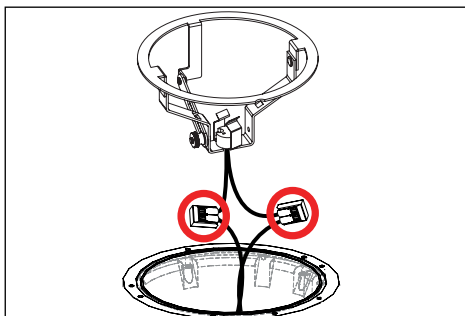
**IMPORTANT SAFETY INFORMATION LISTED ON REVERSE
READ, FOLLOW, AND SAVE ALL SAFETY AND INSTALLATION INSTRUCTIONS**





Standard Installation

Installation

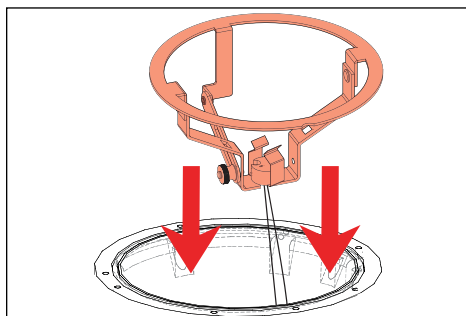


1. Remove temporary cover.

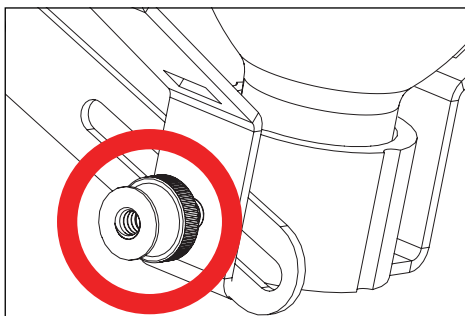
2. Make connections using silicone filled wire nuts (included) from OptiLock to secondary wiring. See wiring diagram.

WIRING DIAGRAM FOR USE WITH:

- MR16
- PAR36/AR111

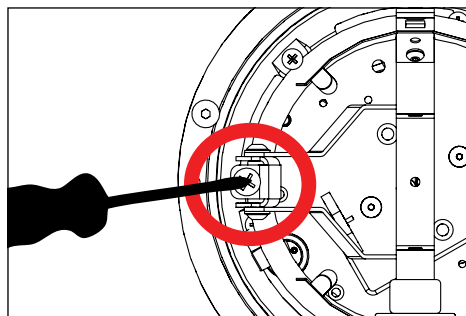


3. Place OptiLock in CO2 housing and align keyhole notch under one of three (3) #8 screw heads. Rotate horizontally to desired aiming position, then tighten two (2) #8 phillips screws using phillips screwdriver. Install proper MR16 halogen or PAR36/AR111 lamp according to instructions on Lamp Installation or Re-Lamping page.



FOR USE WITH MR16

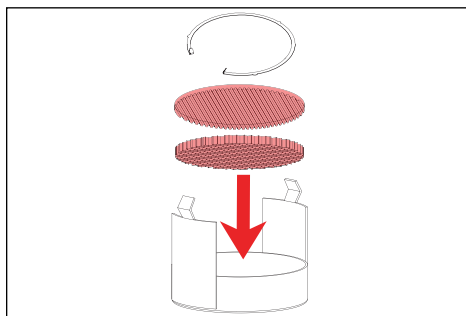
4a. Aim vertically by turning the thumbscrew on OptiLock assembly.



FOR USE WITH PAR36/AR111

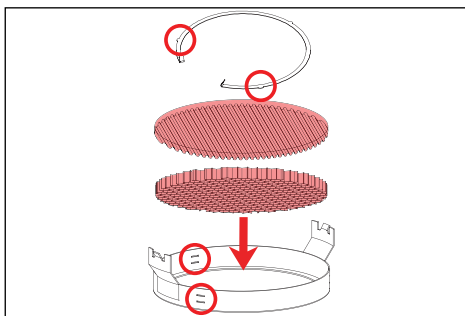
4b. Aim vertically by turning the #10 phillips head screw on OptiLock assembly with phillips screwdriver.

⚠ OptiLock vary by product.



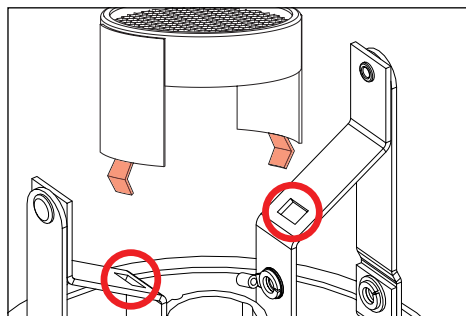
FOR USE WITH MR16

5a. Turn accessory holder upside down and remove retainer clip. Insert up to two (2) accessories. Insert the retainer clip back on.



FOR USE WITH PAR36/AR111

5b. Turn accessory holder upside down and remove retainer clip. Insert up to two (2) accessories. Insert the retainer clip back on.



FOR USE WITH MR16

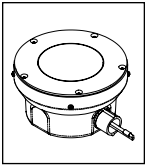
6a. For Optional Accessory Holder: Insert accessory holder tabs into slots on OptiLock.

⚠ Insert any accessory lens with the smooth side towards the lamp. If using a honeycomb baffle, position it farthest from the lamp.

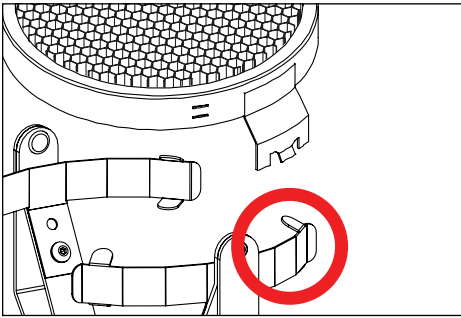
⚠ Insert any accessory lens with the smooth side towards the lamp. If using a honeycomb baffle, position it farthest from the lamp.

IMPORTANT SAFETY INFORMATION LISTED ON REVERSE READ, FOLLOW, AND SAVE ALL SAFETY AND INSTALLATION INSTRUCTIONS



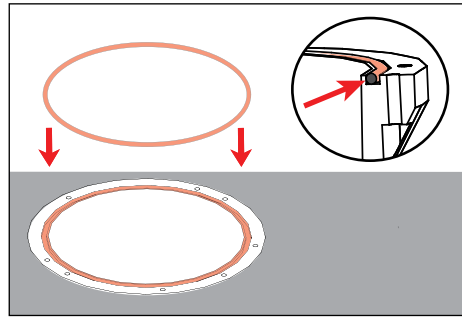


Standard Installation



FOR USE WITH PAR36/AR111

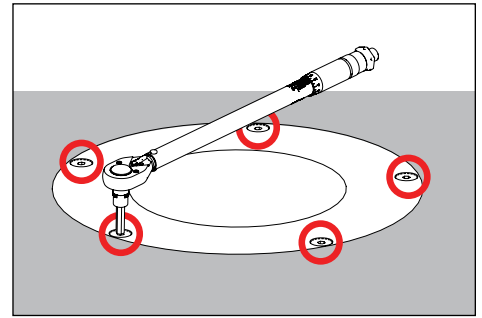
6b. For Optional Accessory Holder: Insert accessory holder tabs onto arms on OptiLock.



7. Remove any dirt or debris in o-ring groove near top of housing. Place o-ring inside of groove.

⚠ Failure to clean groove of debris will cause fixture to fail and void product warranty.

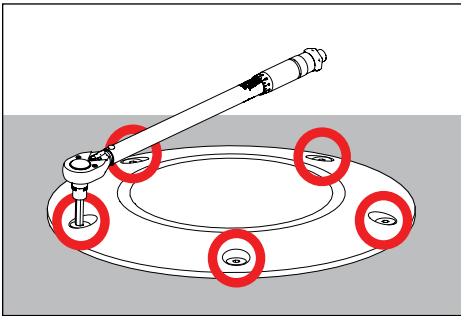
⚠ NOTE: See warning on page 1. Failure to comply with requirements will void warranty.



8a. (For use with HP2 faceplate) - Install faceplate using a 1/8" allen wrench and hand-tighten the faceplate screws in a star pattern to 30 in-lbs. min.

⚠ Do not use a power tool to install screws. Do not exceed 40 in-lbs.

⚠ NOTE: See warning on page 1. Failure to comply with requirements will void warranty.



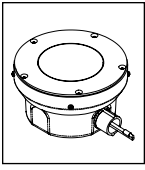
8b. (For use with CO2 faceplate) - Install faceplate using a 1/8" allen wrench and hand-tighten the faceplate screws in a star pattern to 30 in-lbs. min.

⚠ Do not use a power tool to install screws. Do not exceed 40 in-lbs.

⚠ NOTE: See warning on page 1. Failure to comply with requirements will void warranty.

IMPORTANT SAFETY INFORMATION LISTED ON REVERSE
READ, FOLLOW, AND SAVE ALL SAFETY AND INSTALLATION INSTRUCTIONS





Lamp and Accessory Holder Installation



Flammable



Warning





High Voltage

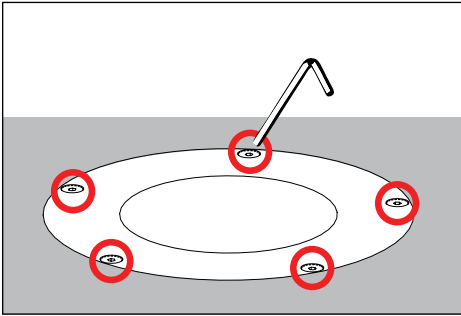


Hot Surface

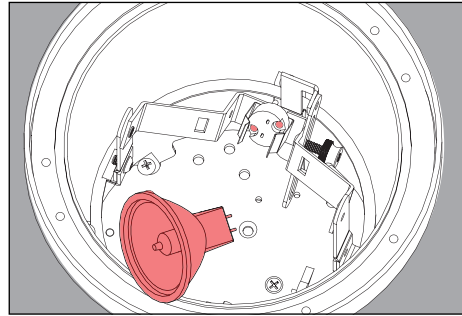
**TOOLS
NEEDED:**

-  1/8" Allen Wrench
-  Torque Wrench

Lamp Installation Or Re-lamping

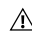


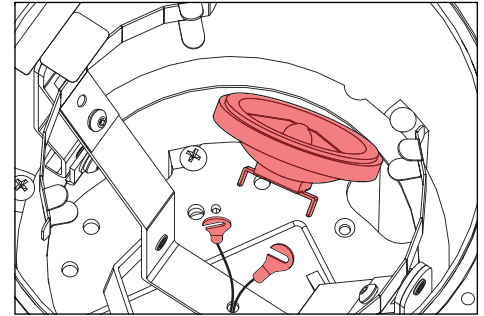
1. Remove faceplate using a 1/8" allen wrench. If there is an optional accessory holder, carefully squeeze tabs on sides and gently pull from slots on OptiLock.



MR16 LAMP INSTALLATION


- 2a. Firmly insert proper MR16 lamp into socket to make connection.

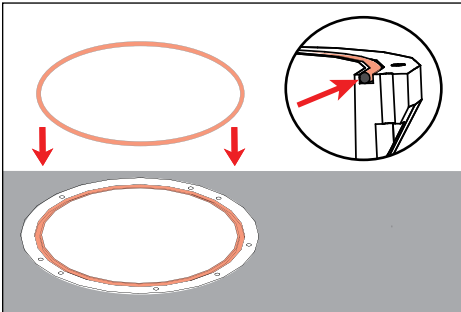
 **Do not exceed the maximum wattage listed on the fixture label before installing.**




PAR36/AR111 LAMP INSTALLATION


- 2b. Install proper PAR36/AR111 lamp by placing connectors around loosened terminal screws, then gently tightening screw to make connection.

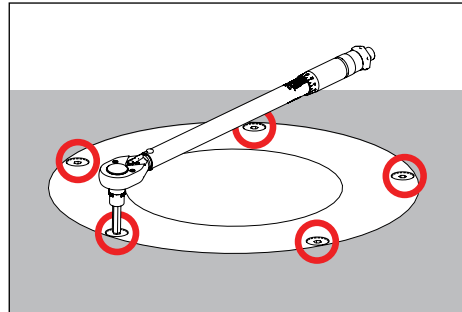
 **Do not exceed the maximum wattage listed on the fixture label before installing.**



3. Remove any dirt or debris in o-ring groove near top of housing. Place o-ring inside of groove.

 **Failure to clean groove of debris will cause fixture to fail and void product warranty.**

 **NOTE: See warning on page 1. Failure to comply with requirements will void warranty.**



4. Install faceplate using a 1/8" allen wrench and hand-tighten the faceplate screws in a star pattern to 30 in-lbs. min.

 **Do not use a power tool to install screws. Do not exceed 40 in-lbs.**

 **NOTE: See warning on page 1. Failure to comply with requirements will void warranty.**

IMPORTANT SAFETY INFORMATION - READ, FOLLOW, AND SAVE THESE INSTALLATION INSTRUCTIONS

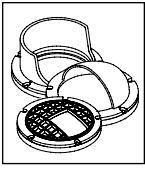
B-K LIGHTING

40429 Brickyard Drive • Madera, CA 93636 • USA
559.438.5800 • FAX 559.438.5900
www.bklighting.com • info@bklighting.com

RELEASE DATE
09/11/2024

REFERENCE NUMBER
INS-2856-00

THIS DOCUMENT CONTAINS PROPRIETARY INFORMATION OF B-K LIGHTING, INC. AND ITS RECEIPT OR POSSESSION DOES NOT CONVEY ANY RIGHTS TO REPRODUCE, DISCLOSE ITS CONTENTS, OR TO MANUFACTURE, USE OR SELL ANYTHING IT MAY DESCRIBE. REPRODUCTION, DISCLOSURE OR USE WITHOUT SPECIFIC WRITTEN AUTHORIZATION OF B-K LIGHTING, INC. IS STRICTLY FORBIDDEN.



HP2 - FLUSH FACEPLATE

FACEPLATE ACCESSORIES



Accessories Installation Instructions



Warning



Hot Surface

TOOLS NEEDED:	 1/8" & 7/64" Allen Wrench
	 Torque Wrench

INSTRUCTIONS PERTAINING TO A RISK OF FIRE, OR INJURY TO PERSONS IMPORTANT SAFETY INSTRUCTIONS

Lighted fixture is HOT!

WARNING - To reduce the risk of FIRE OR INJURY TO PERSONS:

Turn off/unplug and allow to cool before replacing lamp/LED. Fixture gets HOT quickly! Contact only switch/plug when turning on. Do not touch hot lens, guard, or enclosure. Keep fixture away from materials that may burn. Do not operate the luminaire fitting with a missing or damaged shield. Do not touch the source at any time. Use a soft cloth or gloves. Oil from skin may cause damage.

SAVE THESE INSTRUCTIONS

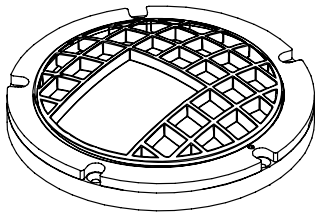
IMPORTANT SAFETY INFORMATION - READ, FOLLOW, AND SAVE ALL SAFETY AND INSTALLATION INSTRUCTIONS

- Product must be installed by a qualified person in a manner consistent with its intended use and in compliance with the National Electrical Code, Canadian Electrical Code, and all Local and Provincial Codes.
- Follow product label information and instructions.
- Qualified Personnel with appropriate personal protective equipment must perform all servicing of this product.
- Before wiring to power supply and during servicing, turn off and lock out power at fuse or circuit breaker before service.
- The use of accessory equipment not recommended by the manufacturer or installed contrary to instructions may cause an unsafe condition. The use of damaged components may cause an unsafe condition and void product warranty.
- Do not block light emanating from product in whole or part, as this may cause an unsafe condition.
- Never operate the fixture with missing or damaged lens. Lens must be cleaned on regular basis.
- Entire fixture may become extremely hot. Do not touch hot lens or fixture body.
- Replace LED assembly only with correct wattage and type of power supply appropriate for LED assembly.
- All gaskets, o-rings and sealing surfaces must be kept clean during installation and service; failure to do this may cause an unsafe condition and void product warranty.

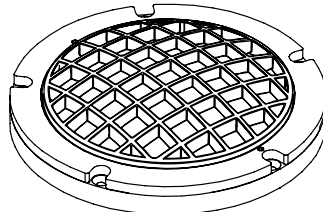
IMPORTANT LISTINGS AND CERTIFICATIONS

- Suitable for wet locations • Additionally suitable for mounting within 4 ft. of the ground

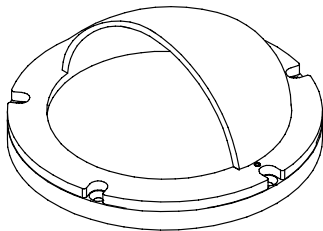
Proper soil preparation is recommended before installation. See the DIG-IT guide at www.bklighting.com/collaterals/install/digit.pdf for more information.



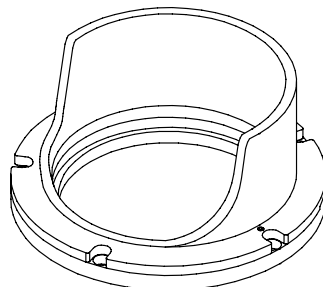
Rock Guard with Optical Opening



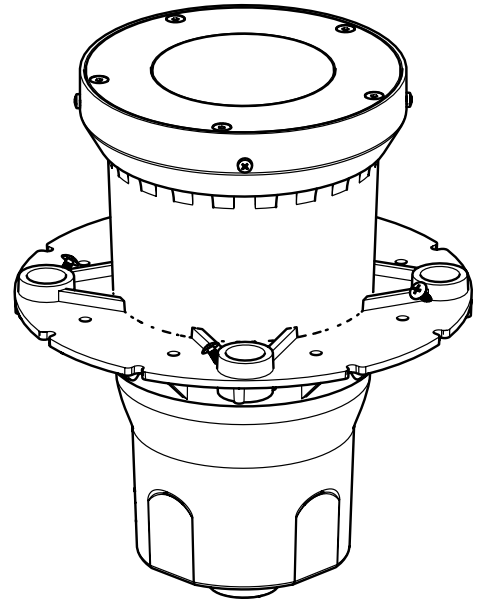
Rock Guard



Half Dome B



Glare Shield B



IMPORTANT SAFETY INFORMATION - READ, FOLLOW, AND SAVE THESE INSTALLATION INSTRUCTIONS

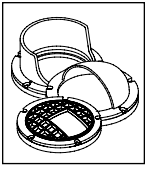
B-K LIGHTING

40429 Brickyard Drive • Madera, CA 93636 • USA
559.438.5800 • FAX 559.438.5900
www.bklighting.com • info@bklighting.com

RELEASE DATE
09/11/2024

REFERENCE NUMBER
INS-2882-00

THIS DOCUMENT CONTAINS PROPRIETARY INFORMATION OF B-K LIGHTING, INC. AND ITS RECEIPT OR POSSESSION DOES NOT CONVEY ANY RIGHTS TO REPRODUCE, DISCLOSE ITS CONTENTS, OR TO MANUFACTURE, USE OR SELL ANYTHING IT MAY DESCRIBE. REPRODUCTION, DISCLOSURE OR USE WITHOUT SPECIFIC WRITTEN AUTHORIZATION OF B-K LIGHTING, INC. IS STRICTLY FORBIDDEN.



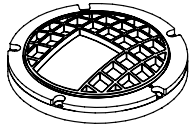
HP2 - FLUSH FACEPLATE

FACEPLATE ACCESSORIES

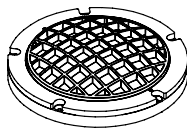
Accessories Installation Instructions

Faceplate with Accessories

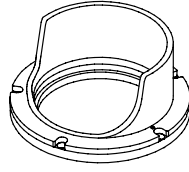
Instructions Apply To...



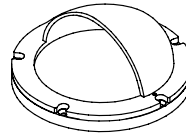
Rock Guard with Optical Opening



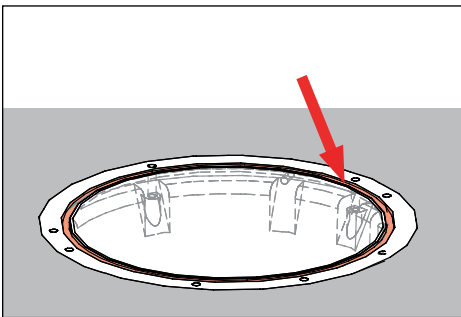
Rock Guard



Glare Shield B



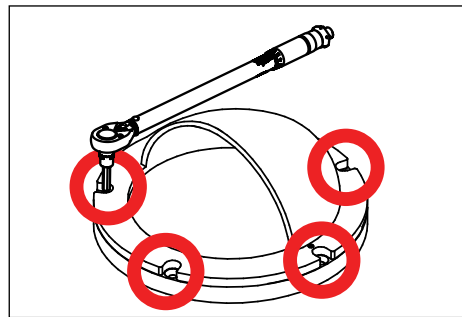
Half Dome B



1. Before installation of faceplate, clean o-ring groove and collar of debris for a proper seal.

⚠ Failure to remove debris from groove will cause fixture to fail and void product warranty.

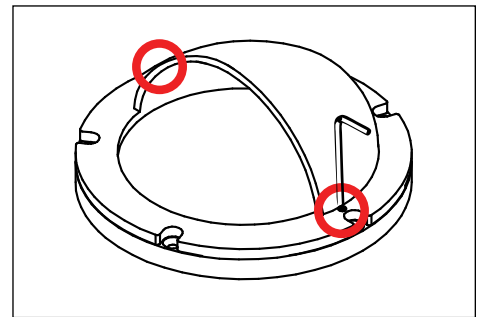
⚠ NOTE: See warning on page 1. Failure to comply with requirements will void warranty.



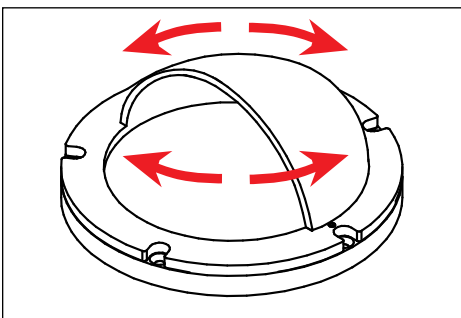
2. Install faceplate using a 1/8" allen wrench and hand-tighten the five (5) #10-24 faceplate screws in a star pattern to 30 in-lbs. min.

⚠ Do not use a power tool to install screws. Do not exceed 40 in-lbs.

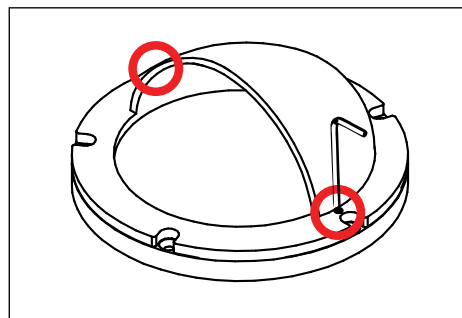
⚠ NOTE: See warning on page 1. Failure to comply with requirements will void warranty.



3. Using a 7/64" allen wrench, loosen the two (2) #6-32 set screws on the faceplate to allow accessory to rotate freely.



4. Accessory can rotate 360° independently of faceplate.



5. When set in final position, tighten two (2) #6-32 screws using a 7/64" allen wrench.

**IMPORTANT SAFETY INFORMATION LISTED ON REVERSE
READ, FOLLOW, AND SAVE ALL SAFETY AND INSTALLATION INSTRUCTIONS**



B-K LIGHTING

40429 Brickyard Drive • Madera, CA 93636 • USA
559.438.5800 • FAX 559.438.5900
www.bklighting.com • info@bklighting.com

RELEASE DATE
09/11/2024

REFERENCE NUMBER
INS-2882-00