

TENAYA2 (TY2) IN-GRADE - LED

Standard Installation



Flammable



Warning



High Voltage



Hot Surface

TOOLS NEEDED:

- 3/16" Allen Wrench
- Waterproof Wire Connectors
- Phillips Screwdriver
- Level
- Hammer
- Torque Wrench

INSTRUCTIONS PERTAINING TO A RISK OF FIRE, OR INJURY TO PERSONS IMPORTANT SAFETY INSTRUCTIONS

Lighted fixture is HOT!

WARNING - To reduce the risk of FIRE OR INJURY TO PERSONS:

Turn off/unplug and allow to cool before replacing lamp/LED. Fixture gets HOT quickly! Contact only switch/plug when turning on. Do not touch hot lens, guard, or enclosure. Keep fixture away from materials that may burn. Do not operate the luminaire fitting with a missing or damaged shield. Do not touch the source at any time. Use a soft cloth or gloves. Oil from skin may cause damage.

SAVE THESE INSTRUCTIONS

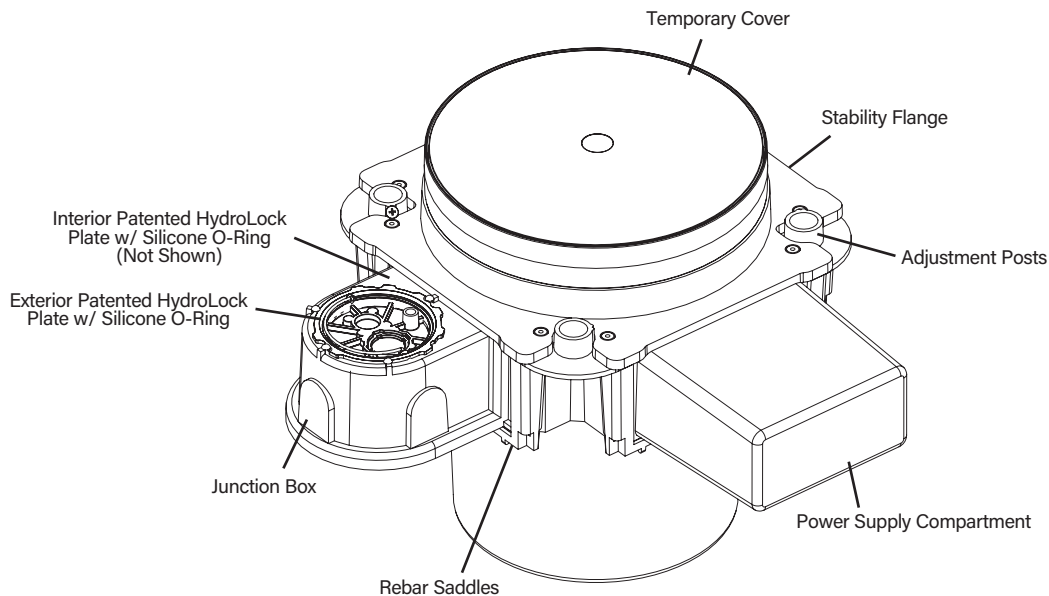
IMPORTANT SAFETY INFORMATION - READ, FOLLOW, AND SAVE ALL SAFETY AND INSTALLATION INSTRUCTIONS

- Product must be installed by a qualified person in a manner consistent with its intended use and in compliance with the National Electrical Code, Canadian Electrical Code, and all Local and Provincial Codes.
- Follow product label information and instructions.
- Qualified Personnel with appropriate personal protective equipment must perform all servicing of this product.
- Before wiring to power supply and during servicing, turn off and lock out power at fuse or circuit breaker before service.
- The use of accessory equipment not recommended by the manufacturer or installed contrary to instructions may cause an unsafe condition. The use of damaged components may cause an unsafe condition and void product warranty.
- Do not block light emanating from product in whole or part, as this may cause an unsafe condition.
- Never operate the fixture with missing or damaged lens. Lens must be cleaned on regular basis.
- Entire fixture may become extremely hot. Do not touch hot lens or fixture body.
- Replace LED assembly only with correct wattage and type of power supply appropriate for LED assembly.
- All gaskets, o-rings and sealing surfaces must be kept clean during installation and service; failure to do this may cause an unsafe condition and void product warranty.

IMPORTANT LISTINGS AND CERTIFICATIONS

- Suitable for wet locations
- Suitable for recessed in ground locations

Proper soil preparation is recommended before installation. See the DIG-IT guide at www.bklighting.com/collaterals/install/digit.pdf for more information.



Tenaya2® and its features are covered in whole or in part by U.S. Patent No. 7,175,297; U.S. Patent No. 7,033,038; U.S. Patent No. 6,254,258 B1; U.S. Patent No. 7,553,042; and U.S. Patent No. 7,560,148.

IMPORTANT SAFETY INFORMATION - READ, FOLLOW, AND SAVE THESE INSTALLATION INSTRUCTIONS

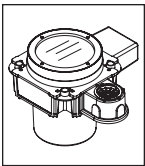
B-K LIGHTING

40429 Brickyard Drive • Madera, CA 93636 • USA
559.438.5800 • FAX 559.438.5900
www.bklighting.com • info@bklighting.com

RELEASE DATE
09/09/2025

REFERENCE NUMBER
INS-2145-00

THIS DOCUMENT CONTAINS PROPRIETARY INFORMATION OF B-K LIGHTING, INC. AND ITS RECEIPT OR POSSESSION DOES NOT CONVEY ANY RIGHTS TO REPRODUCE, DISCLOSE ITS CONTENTS, OR TO MANUFACTURE, USE OR SELL ANYTHING IT MAY DESCRIBE. REPRODUCTION, DISCLOSURE OR USE WITHOUT SPECIFIC WRITTEN AUTHORIZATION OF B-K LIGHTING, INC. IS STRICTLY FORBIDDEN.

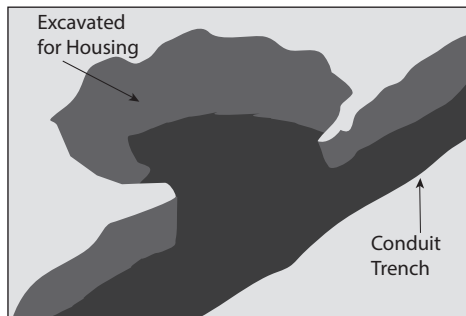
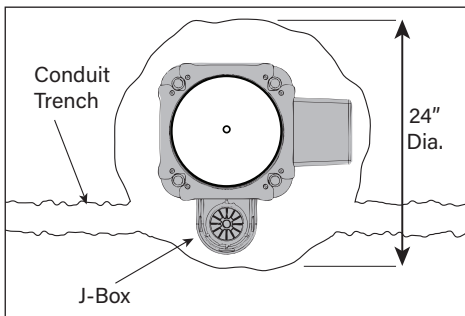


Standard Installation

TENAYA2 (TY2)

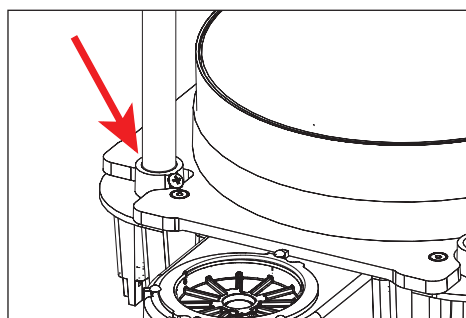
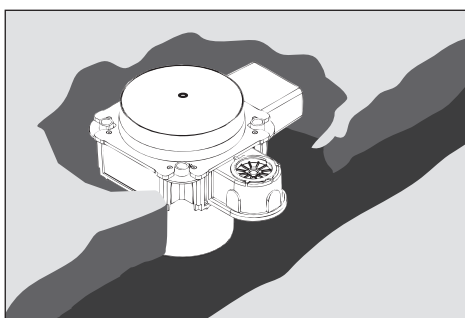
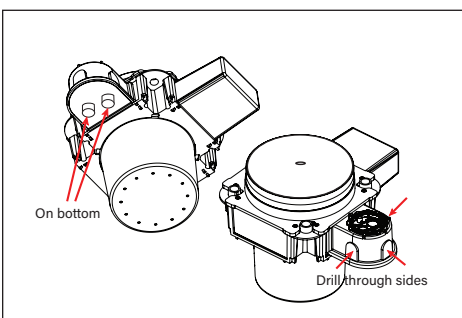
IN-GRADE - LED

Soil Prep



1. Determine Soil Type by referencing DIG-IT Guide. Prep soil according to DIG-IT Guide.
2. Determine Soil Type by referencing DIG-IT Guide.
3. Dig hole 24" wide and 27-33" deep.
4. Prep soil according to DIG-IT Guide.

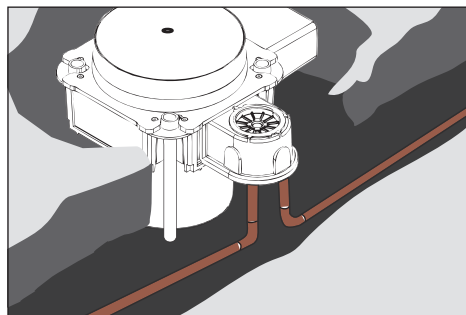
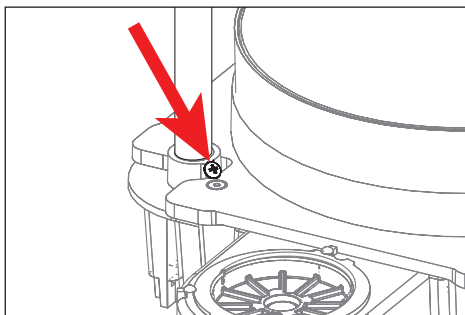
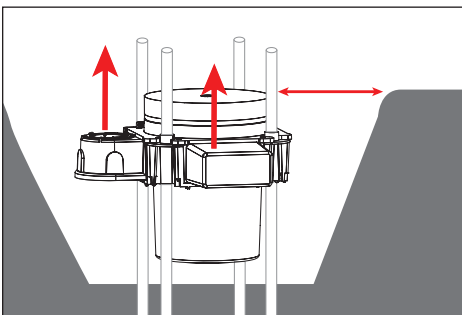
Housing Rough-In



1. Connect branch conduit connectors to the junction box using either the threaded conduit entries on the bottom of the junction box or through holes drilled into the sides of the junction box.
2. Place housing in hole. Align junction box in the path of the conduit trench.
3. Insert four (4) pieces of 1/2" EMT conduit through the stability flange. Hammer into substrate until secure.

⚠ Do not remove the yellow temporary cover during rough-in.

⚠ Leave sufficient clearance to elevate housing to finished grade.



4. Raise housing on EMT to finished grade (top of yellow temp cover). Use bubble level on yellow temporary cover to aid in leveling housing.
5. When top of yellow temporary cover is level with finished grade, tighten screws on stability flange to secure housing to EMT. Remove excess EMT as needed.
6. Connect the conduit to the conduit connectors.

**IMPORTANT SAFETY INFORMATION LISTED ON REVERSE
READ, FOLLOW, AND SAVE ALL SAFETY AND INSTALLATION INSTRUCTIONS**

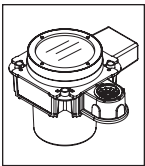


B-K LIGHTING

40429 Brickyard Drive • Madera, CA 93636 • USA
559.438.5800 • FAX 559.438.5900
www.bklighting.com • info@bklighting.com

RELEASE DATE
09/09/2025

REFERENCE NUMBER
INS-2145-00

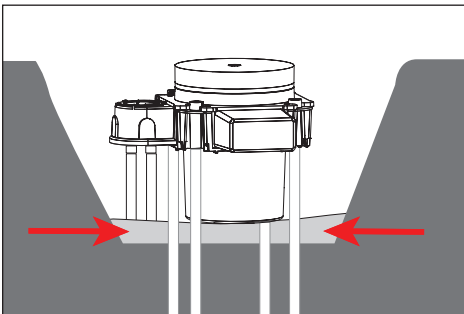


Standard Installation

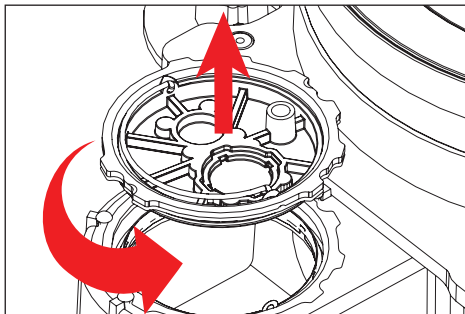
TENAYA2 (TY2)

IN-GRADE - LED

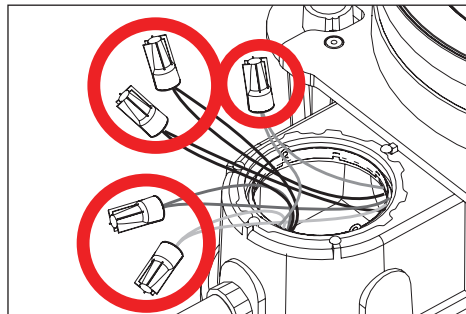
Housing Rough-In (Continued)



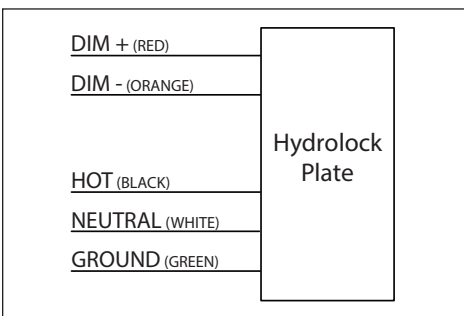
7. Per DIG-IT Guide, backfill the gap between the bottom of housing and bottom of hole with sand for drainage.



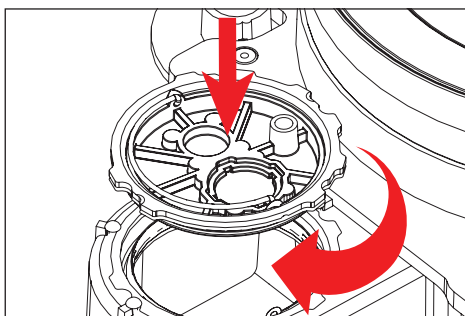
8. Rotate patented HydroLock plate counter clockwise to allow notch in HydroLock plate to clear pins on junction box. Pull to remove.



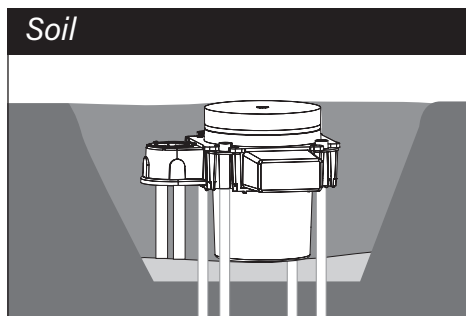
9. Pull branch circuit wiring and external dimming controls into junction box. Make watertight connections using waterproof wire connectors (included) to leads on the interior patented HydroLock plate. **See wiring diagram.**



WIRING DIAGRAM

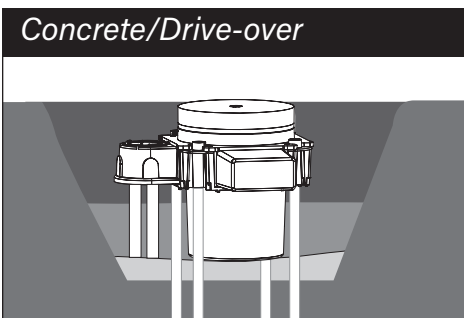


10. Wipe o-ring clean of debris before re-inserting patented HydroLock plate on to junction box. Turn HydroLock plate clockwise to lock in place under pins.



A. For soil installation, fill and tamp soil to the appropriate height leaving room for sod, pavers, etc. to be level with the top of the Yellow Installation Cover.

⚠ Soil installation is NOT Drive-over rated!

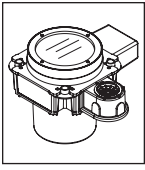


B. For a drive-over installation, fill the hole around the fixture housing to 12" below the finished grade with clean fill dirt and tamp carefully to prevent settling of fixture. Pour concrete and finish as required flush with the top surface of the Yellow Installation Cover.

⚠ Note: Drive-over rated for 55,000 lbs. GVW (Standard flat lens rated for 35,000 lbs. GVW)

**IMPORTANT SAFETY INFORMATION LISTED ON REVERSE
READ, FOLLOW, AND SAVE ALL SAFETY AND INSTALLATION INSTRUCTIONS**





TENAYA2 (TY2) IN-GRADE - LED

Component - Standard Instructions



Flammable



Warning



High Voltage



Hot Surface

TOOLS NEEDED:

- 3/16", 7/64" & 1/8" Allen Wrench
- Level
- Hammer
- Phillips Screwdriver
- Torque Wrench

INSTRUCTIONS PERTAINING TO A RISK OF FIRE, OR INJURY TO PERSONS IMPORTANT SAFETY INSTRUCTIONS

Lighted fixture is HOT!

WARNING - To reduce the risk of FIRE OR INJURY TO PERSONS:

Turn off/unplug and allow to cool before replacing lamp/LED. Fixture gets HOT quickly! Contact only switch/plug when turning on. Do not touch hot lens, guard, or enclosure. Keep fixture away from materials that may burn. Do not operate the luminaire fitting with a missing or damaged shield. Do not touch the source at any time. Use a soft cloth or gloves. Oil from skin may cause damage.

SAVE THESE INSTRUCTIONS

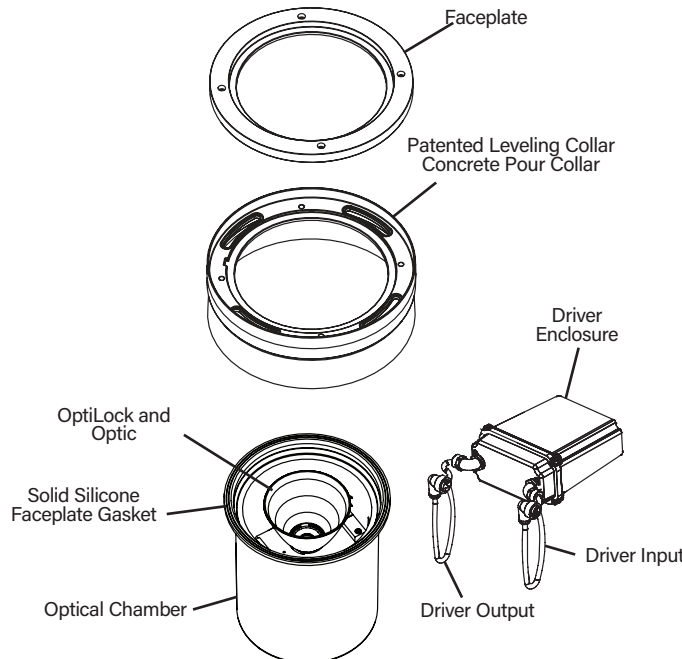
IMPORTANT SAFETY INFORMATION - READ, FOLLOW, AND SAVE ALL SAFETY AND INSTALLATION INSTRUCTIONS

- Product must be installed by a qualified person in a manner consistent with its intended use and in compliance with the National Electrical Code, Canadian Electrical Code, and all Local and Provincial Codes.
- Follow product label information and instructions.
- Qualified Personnel with appropriate personal protective equipment must perform all servicing of this product.
- Before wiring to power supply and during servicing, turn off and lock out power at fuse or circuit breaker before service.
- The use of accessory equipment not recommended by the manufacturer or installed contrary to instructions may cause an unsafe condition. The use of damaged components may cause an unsafe condition and void product warranty.
- Do not block light emanating from product in whole or part, as this may cause an unsafe condition.
- Never operate the fixture with missing or damaged lens. Lens must be cleaned on regular basis.
- Entire fixture may become extremely hot. Do not touch hot lens or fixture body.
- Replace LED assembly only with correct wattage and type of power supply appropriate for LED assembly.
- All gaskets, o-rings and sealing surfaces must be kept clean during installation and service; failure to do this may cause an unsafe condition and void product warranty.

IMPORTANT LISTINGS AND CERTIFICATIONS

- Suitable for wet locations
- Suitable for recessed in ground locations

Proper soil preparation is recommended before installation. See the DIG-IT guide at www.bklighting.com/collaterals/install/digit.pdf for more information.



Tenaya2® and its features are covered in whole or in part by U.S. Patent No. 7,175,297; U.S. Patent No. 7,033,038; U.S. Patent No. 6,254,258 B1; U.S. Patent No. 7,553,042; and U.S. Patent No. 7,560,148.

IMPORTANT SAFETY INFORMATION - READ, FOLLOW, AND SAVE THESE INSTALLATION INSTRUCTIONS

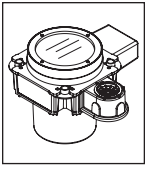
B-K LIGHTING

40429 Brickyard Drive • Madera, CA 93636 • USA
559.438.5800 • FAX 559.438.5900
www.bklighting.com • info@bklighting.com

RELEASE DATE
09/09/2025

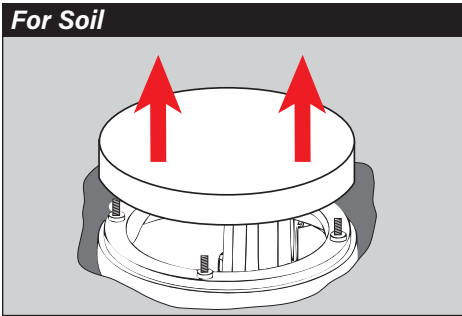
REFERENCE NUMBER
INS-2145-00

THIS DOCUMENT CONTAINS PROPRIETARY INFORMATION OF B-K LIGHTING, INC. AND ITS RECEIPT OR POSSESSION DOES NOT CONVEY ANY RIGHTS TO REPRODUCE, DISCLOSE ITS CONTENTS, OR TO MANUFACTURE, USE OR SELL ANYTHING IT MAY DESCRIBE. REPRODUCTION, DISCLOSURE OR USE WITHOUT SPECIFIC WRITTEN AUTHORIZATION OF B-K LIGHTING, INC. IS STRICTLY FORBIDDEN.

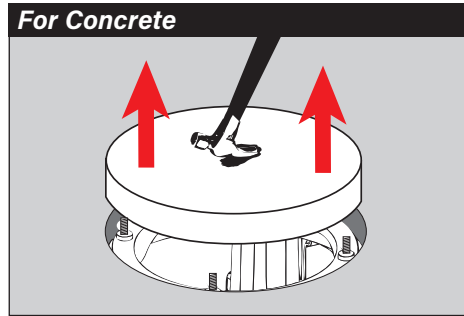


TENAYA2 (TY2) LED

Standard Installation



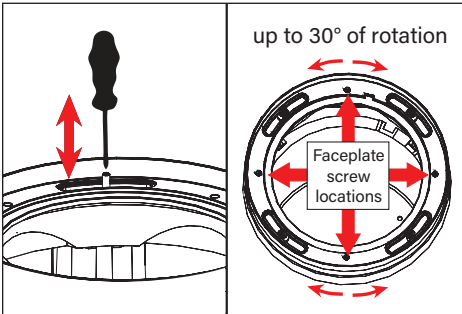
1A. For soil installation, clear soil around temporary cover to prevent debris falling into the housing. Remove temporary cover.



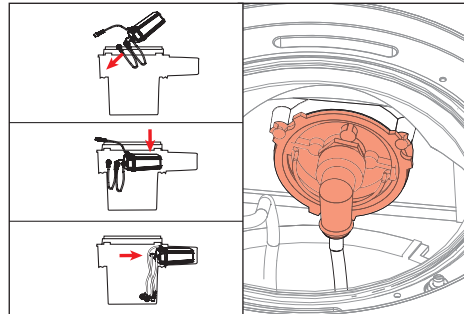
1B. For a concrete installation, break through the disposable Yellow Installation Cover with a claw hammer or pry-bar, then grasp the cover and pull straight up to leave a smooth, finished edge.

NOTE: Temporary Cover is recyclable.

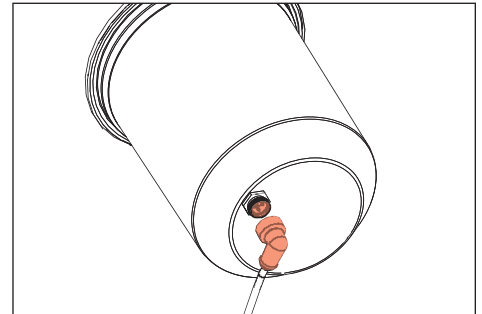
Fixture Installation



2. Place the Patented Leveling Collar on the four adjustable posts. Each adjustable post can be raised or lowered using a phillips screwdriver. Leveling collar also allows for 30° of rotation to align faceplate screws with one another. When collar is level, and faceplate screw holes are aligned to final position, secure the collar with the four hex nuts provided.

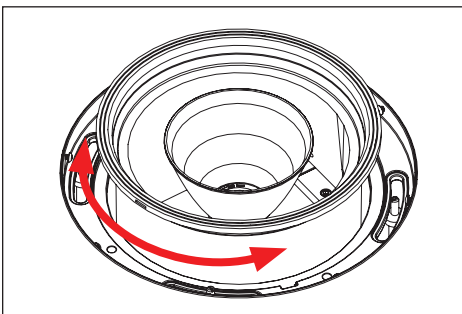


3. Place the driver enclosure in the driver compartment. Connect the primary/input cable from the driver to the patented HydroLock plate located in the housing as shown.



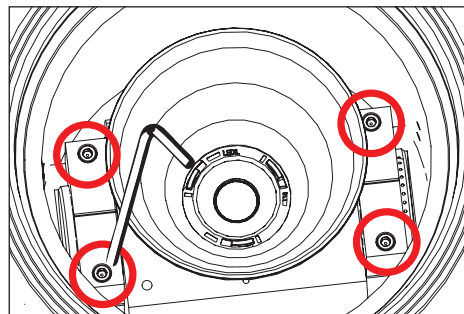
4. Connect the output/secondary cable on the driver to the bottom of the optical chamber.

Aiming Standard Optics

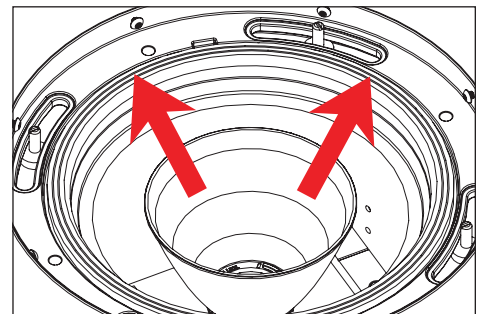


5. If your Tenaya2 comes with optional accessory holder, see "relamping with accessory holder" to remove and install source.

To aim the OptiLock inside the optical chamber horizontally 360°, rotate the optical chamber to desired direction.



6. To aim the OptiLock inside the optical chamber vertically, loosen the four (4) #10-24 screws using a 1/8" allen wrench and tilt OptiLock to desired vertical direction. Tighten all screws when aiming is complete.



7. Before Installation of faceplate, clean solid silicone faceplate gasket (see arrows) and collar of debris for a proper seal.

FAILURE TO DO THIS STEP WILL CAUSE FIXTURE TO FAIL AND VOID PRODUCT WARRANTY.

**IMPORTANT SAFETY INFORMATION LISTED ON REVERSE
READ, FOLLOW, AND SAVE ALL SAFETY AND INSTALLATION INSTRUCTIONS**

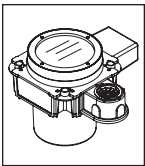


B-K LIGHTING

40429 Brickyard Drive • Madera, CA 93636 • USA
559.438.5800 • FAX 559.438.5900
www.bklighting.com • info@bklighting.com

RELEASE DATE
09/09/2025

REFERENCE NUMBER
INS-2145-00

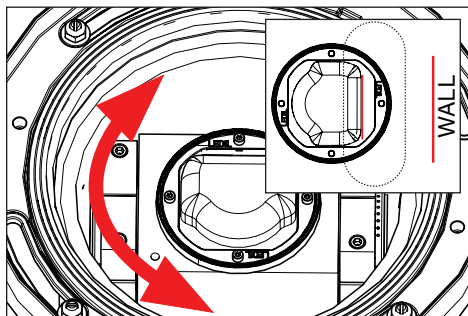


Standard Installation

TENAYA2 (TY2)

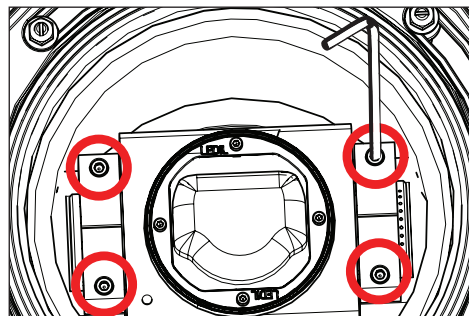
IN-GRADE - LED

Aiming Wall Wash Optics

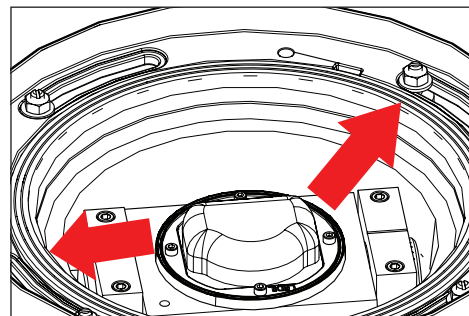


5. To aim the OptiLock inside the optical chamber horizontally 360°, rotate the optical chamber.

⚠ When installing TY2 with Wall Wash (WW) optic, ensure the flat side of the optic is parallel to the wall to be washed.



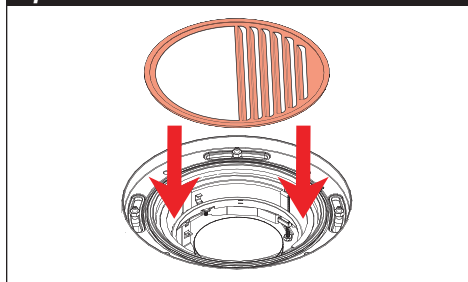
6. To aim the OptiLock inside the optical chamber vertically, loosen the four (4) #10-24 screws using a 1/8" allen wrench and tilt OptiLock to desired vertical direction. Tighten all screws when aiming is complete.



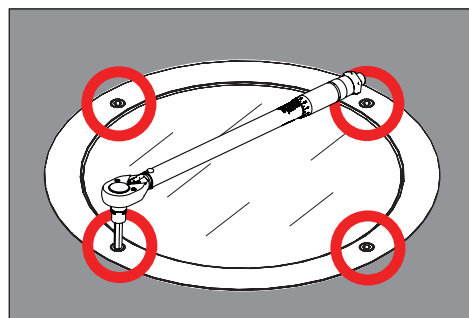
7. Before Installation of faceplate, clean solid silicone faceplate gasket (see arrows) and collar of debris for a proper seal.

⚠ FAILURE TO DO THIS STEP WILL CAUSE FIXTURE TO FAIL AND VOID PRODUCT WARRANTY.

Optional Internal Cutoff

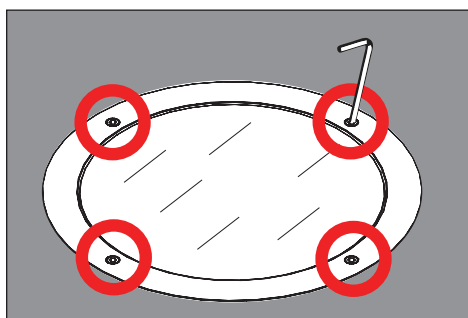


8. **For Optional Internal Cutoff:** Place internal cutoff louver in the top of the optical chamber in the desired direction of cutoff and install faceplate as normal.

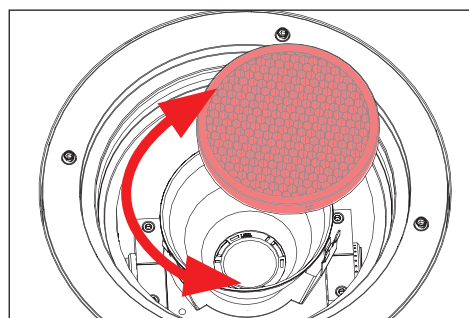


9. Install the faceplate using a 3/16" allen wrench and torque the faceplate screws in a cross pattern to 25 in.-lbs.

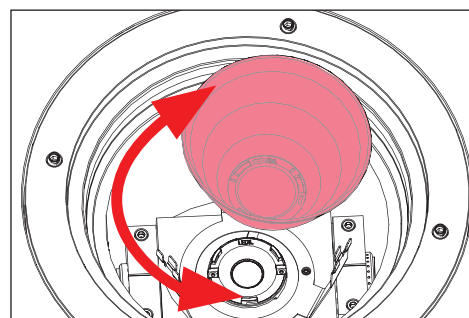
Relamping with Accessory Holder



1. Install the faceplate using a 3/16" allen wrench and torque the faceplate screws in a cross pattern to 25 in.-lbs.



2. Pull accessory holder from clips on accessory bracket.



3. Remove optic by twisting gently, then pulling away.

**IMPORTANT SAFETY INFORMATION LISTED ON REVERSE
READ, FOLLOW, AND SAVE ALL SAFETY AND INSTALLATION INSTRUCTIONS**

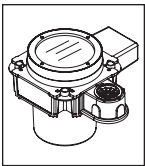


B-K LIGHTING

40429 Brickyard Drive • Madera, CA 93636 • USA
559.438.5800 • FAX 559.438.5900
www.bklighting.com • info@bklighting.com

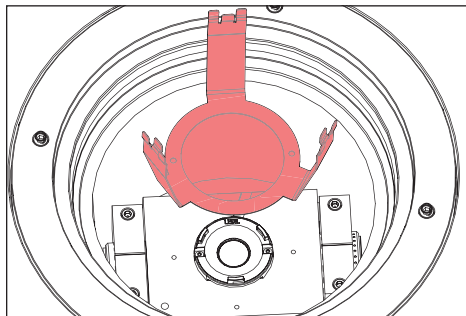
RELEASE DATE
09/09/2025

REFERENCE NUMBER
INS-2145-00

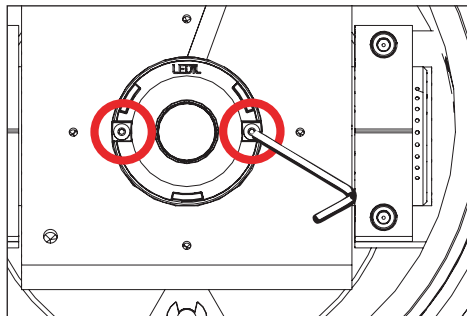


Standard Installation

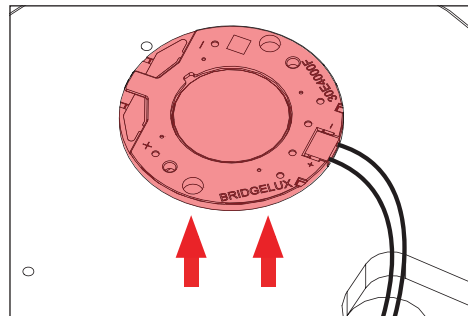
TENAYA2 (TY2) IN-GRADE - LED



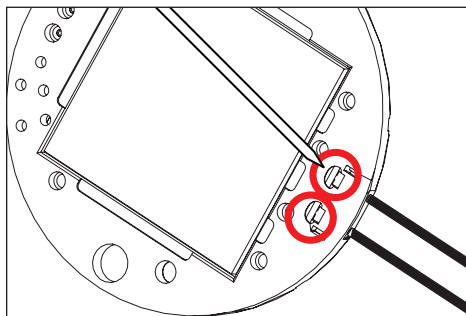
4. Loosen (2) #6-32 set screws holding accessory bracket to OptiLock as shown. Remove accessory holder from OptiLock.



5. Remove optic holder by loosening two (2) #4-40 screws using a 0.05" allen wrench.

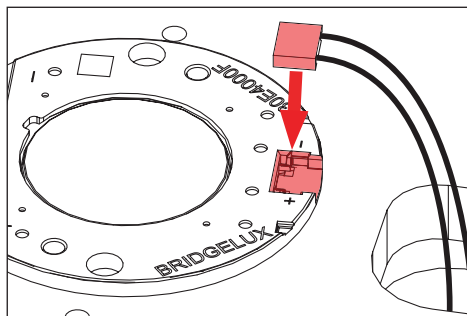


6. Carefully remove LED module from heatsink.
⚠ Do not pull on connector or wiring. Handle with care.



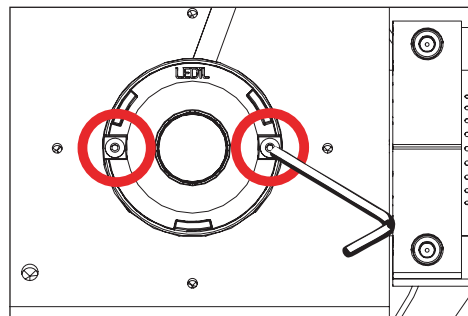
7. Use small pick tool to push connector off LED board through two small slots behind connector. Once loose, lift connector upwards and off board.

⚠ Fragile! Do not pull on connector or wiring. Handle with care.

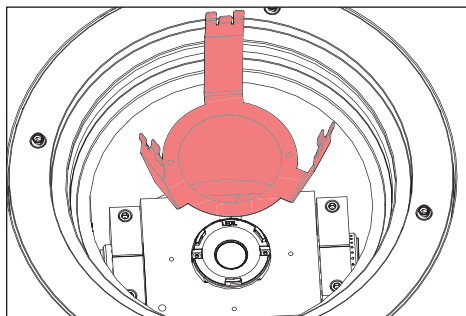


8. Place new LED module onto heatsink. Press connector straight downwards into slot on module to snap into place.

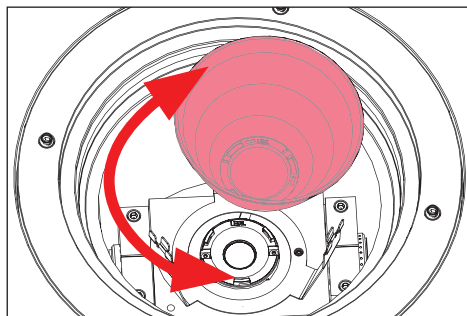
⚠ Connector will only fit in one direction.



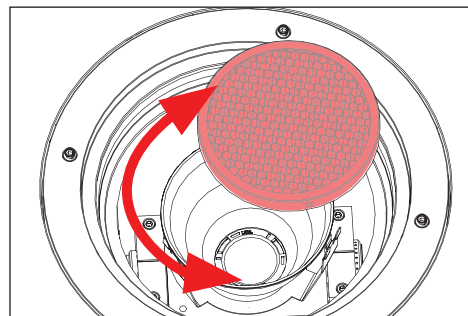
9. Replace optic holder by tightening two (2) #4-40 screws using a 0.05" allen wrench to secure to OptiLock.



10. Place accessory holder on OptiLock, lining up holes in bracket on OptiLock. Tighten (2) #6-32 set screws to secure accessory bracket to OptiLock as shown.



11. Install reflector by placing in LED reflector holder, then twisting gently to the right under tabs.



12. Place accessory holder onto tabs on accessory bracket, lined up with notches in holder.

**IMPORTANT SAFETY INFORMATION LISTED ON REVERSE
READ, FOLLOW, AND SAVE ALL SAFETY AND INSTALLATION INSTRUCTIONS**

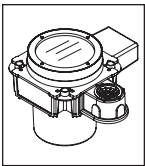


B-K LIGHTING

40429 Brickyard Drive • Madera, CA 93636 • USA
559.438.5800 • FAX 559.438.5900
www.bklighting.com • info@bklighting.com

RELEASE DATE
09/09/2025

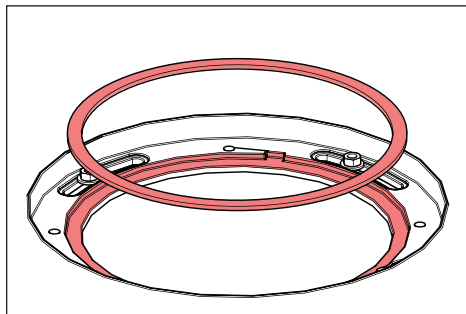
REFERENCE NUMBER
INS-2145-00



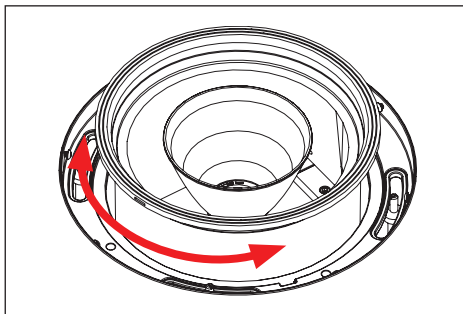
Standard Installation

TENAYA2 (TY2)

IN-GRADE - LED

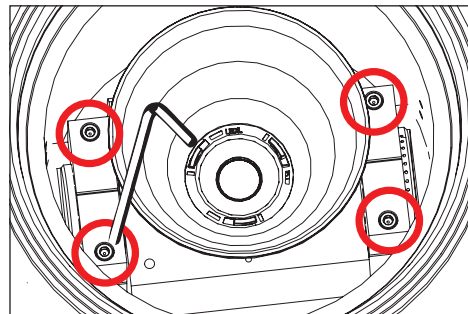


13. Apply new gasket onto collar when provided for old installations. Remove optical chamber from collar. Ensure collar surface is clean of dirt and debris. Apply gasket and reinstall optical chamber.

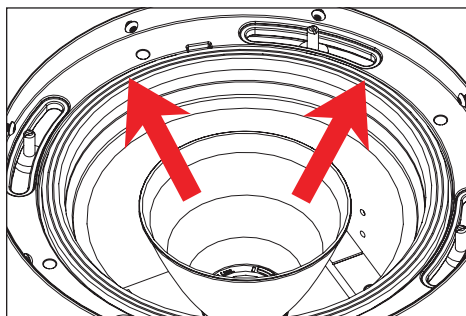


14. If your Tenaya2 comes with optional accessory holder, see "relamping with accessory holder" to remove and install source.

15. To aim the OptiLock inside the optical chamber horizontally 360°, rotate the optical chamber to desired direction.

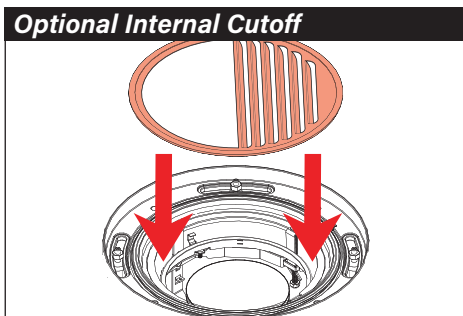


16. To aim the OptiLock inside the optical chamber vertically, loosen the four (4) #10-24 screws using a 1/8" allen wrench and tilt OptiLock to desired vertical direction. Tighten all screws when aiming is complete.

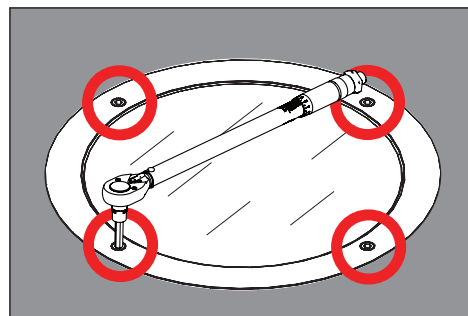


17. Before installation of faceplate, clean solid silicone faceplate gasket (see arrows) and collar of debris for a proper seal.

⚠ FAILURE TO DO THIS STEP WILL CAUSE FIXTURE TO FAIL AND VOID PRODUCT WARRANTY.



18. **For Optional Internal Cutoff:** Place internal cutoff louver in the top of the optical chamber in the desired direction of cutoff and install faceplate as normal.



19. Install the faceplate using a 3/16" allen wrench and torque the faceplate screws in a cross pattern to 25 in-lbs.

**IMPORTANT SAFETY INFORMATION LISTED ON REVERSE
READ, FOLLOW, AND SAVE ALL SAFETY AND INSTALLATION INSTRUCTIONS**

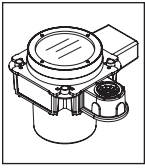


B-K LIGHTING

40429 Brickyard Drive • Madera, CA 93636 • USA
559.438.5800 • FAX 559.438.5900
www.bklighting.com • info@bklighting.com

RELEASE DATE
09/09/2025

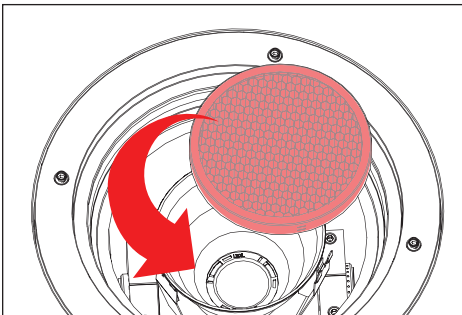
REFERENCE NUMBER
INS-2145-00



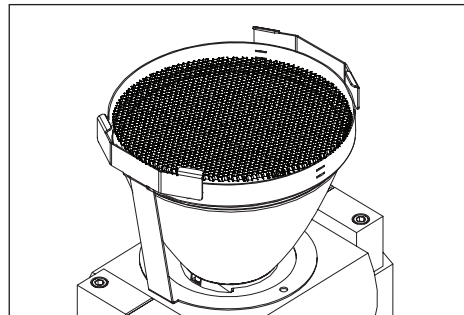
TENAYA2 (TY2)

IN-GRADE - LED

Standard Installation



4. Place accessory holder onto tabs on accessory bracket over optic.



5. Tabs on accessory bracket keep accessory holder in place. Accessories are gravity held in place.

**IMPORTANT SAFETY INFORMATION LISTED ON REVERSE
READ, FOLLOW, AND SAVE ALL SAFETY AND INSTALLATION INSTRUCTIONS**

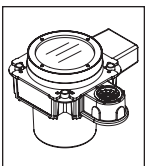


B-K LIGHTING

40429 Brickyard Drive • Madera, CA 93636 • USA
559.438.5800 • FAX 559.438.5900
www.bklighting.com • info@bklighting.com

RELEASE DATE
09/09/2025

REFERENCE NUMBER
INS-2145-00

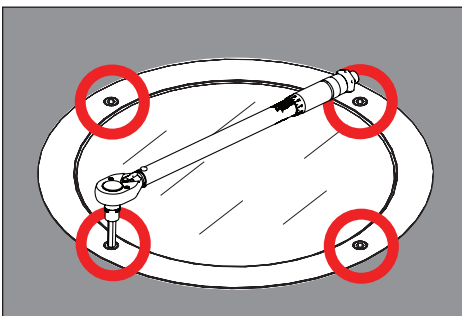


Standard Installation

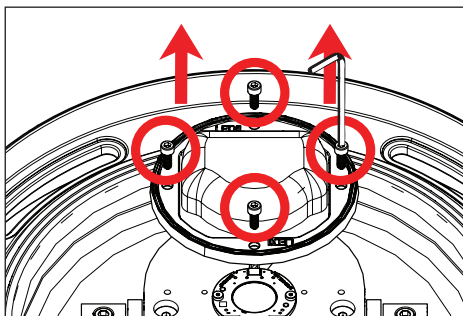
TENAYA2 (TY2)

IN-GRADE - LED - WALL WASH OPTIC

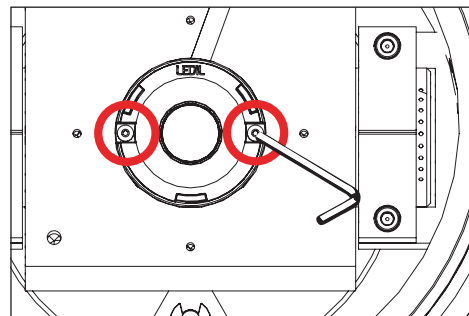
Re-lamping with Wall Wash Optic



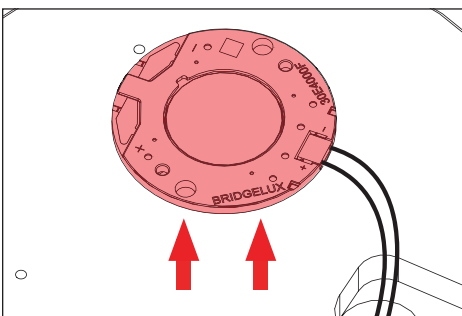
1. Install the faceplate using a 3/16" allen wrench and torque the faceplate screws in a cross pattern to 25 in-lbs.



2. Remove optic by loosening four (4) #6-32 screws using a 7/64" allen wrench.

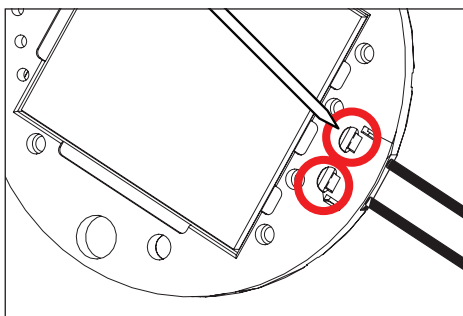


3. Remove optic holder by loosening two (2) #4-40 screws using a 0.05" allen wrench.



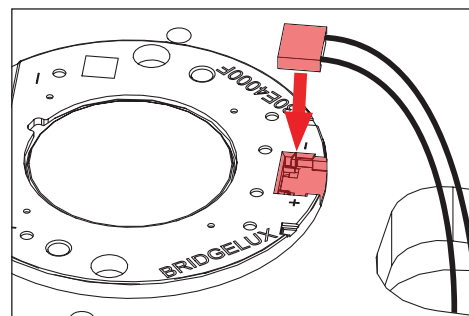
4. Carefully remove LED module from heatsink.

⚠ Do not pull on connector or wiring. Handle with care.



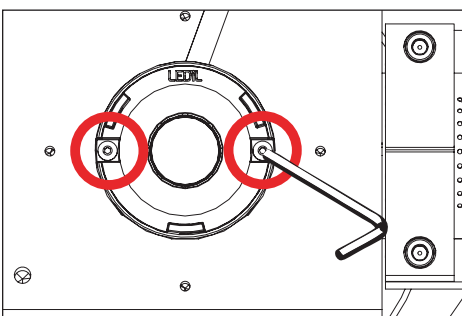
5. Use small pick tool to push connector off LED board through two small slots behind connector. Once loose, lift connector upwards and off board.

⚠ Fragile! Do not pull on connector or wiring. Handle with care.

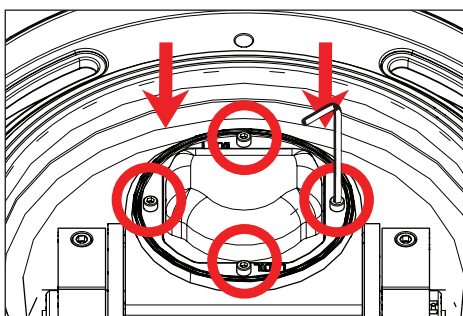


6. Place new LED module onto heatsink. Press connector straight downwards into slot on module to snap into place.

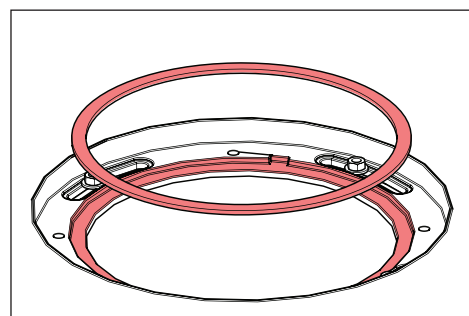
⚠ Connector will only fit in one direction.



7. Replace optic holder by tightening two (2) #4-40 screws using a 0.05" allen wrench to secure to OptiLock.



8. Re-install optic onto LED. Secure by tightening four (4) #6-32 screws using a 7/64" allen wrench.



9. Apply new gasket onto collar when provided for old installations. Remove optical chamber from collar. Ensure collar surface is clean of dirt and debris. Apply gasket and reinstall optical chamber.

**IMPORTANT SAFETY INFORMATION LISTED ON REVERSE
READ, FOLLOW, AND SAVE ALL SAFETY AND INSTALLATION INSTRUCTIONS**

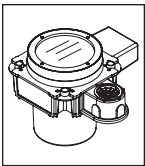


B-K LIGHTING

40429 Brickyard Drive • Madera, CA 93636 • USA
559.438.5800 • FAX 559.438.5900
www.bklighting.com • info@bklighting.com

RELEASE DATE
09/09/2025

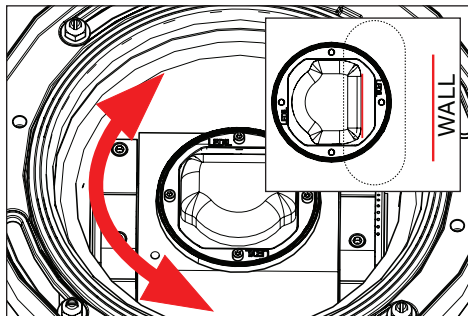
REFERENCE NUMBER
INS-2145-00



Standard Installation

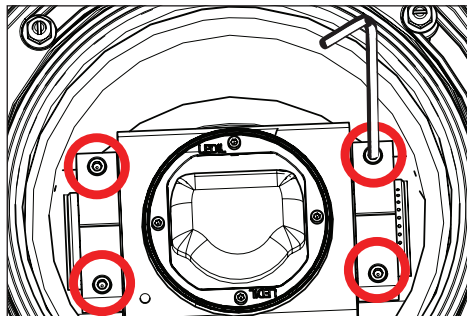
TENAYA2 (TY2)

IN-GRADE - LED - WALL WASH OPTIC

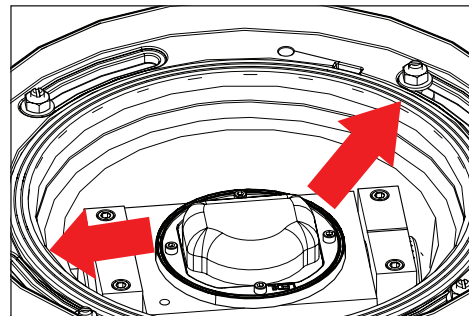


10. To aim the OptiLock inside the optical chamber horizontally 360°, rotate the optical chamber.

⚠ When installing TY2 with Wall Wash (WW) optic, ensure the flat side of the optic is parallel to the wall to be washed.

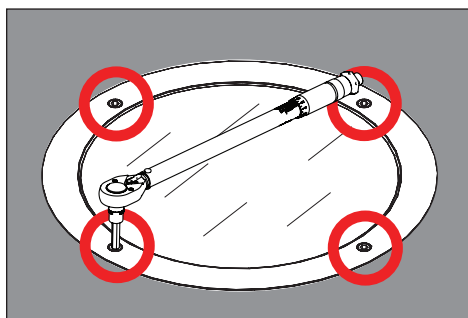


11. To aim the OptiLock inside the optical chamber vertically, loosen the four (4) #10-24 screws using a 1/8" allen wrench and tilt OptiLock to desired vertical direction. Tighten all screws when aiming is complete.



12. Before installation of faceplate, clean solid silicone faceplate gasket (see arrows) and collar of debris for a proper seal.

⚠ FAILURE TO DO THIS STEP WILL CAUSE FIXTURE TO FAIL AND VOID PRODUCT WARRANTY.



13. Install the faceplate using a 3/16" allen wrench and torque the faceplate screws in a cross pattern to 25 in-lbs.

**IMPORTANT SAFETY INFORMATION LISTED ON REVERSE
READ, FOLLOW, AND SAVE ALL SAFETY AND INSTALLATION INSTRUCTIONS**

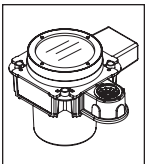


B-K LIGHTING

40429 Brickyard Drive • Madera, CA 93636 • USA
559.438.5800 • FAX 559.438.5900
www.bklighting.com • info@bklighting.com

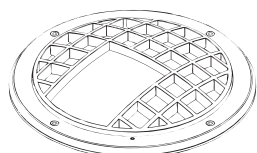
RELEASE DATE
09/09/2025

REFERENCE NUMBER
INS-2145-00

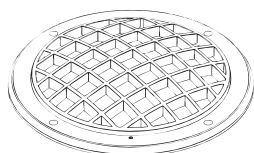


Optional Faceplates - Standard Instructions

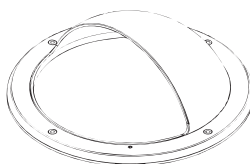
Faceplate with Accessories



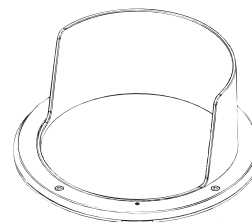
Rock Guard w/
Optical Opening



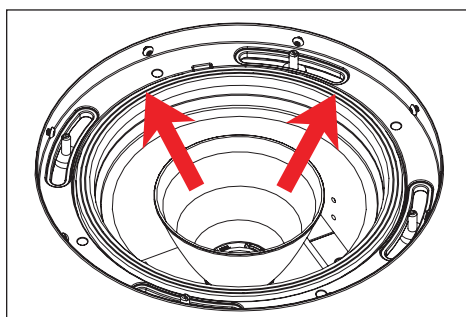
Rock Guard



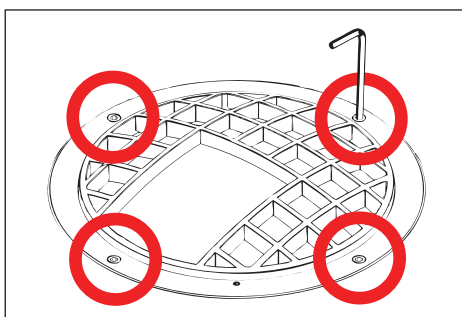
Half Dome



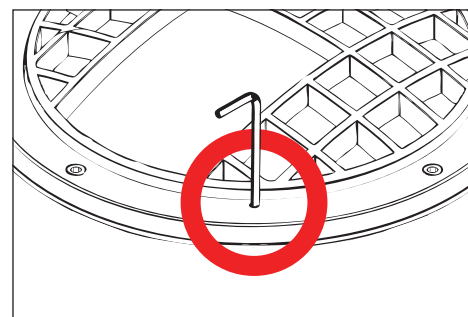
Glare Shield



1. Before installation of faceplate, clean solid silicone faceplate gasket (see arrows) and collar of debris for a proper seal.

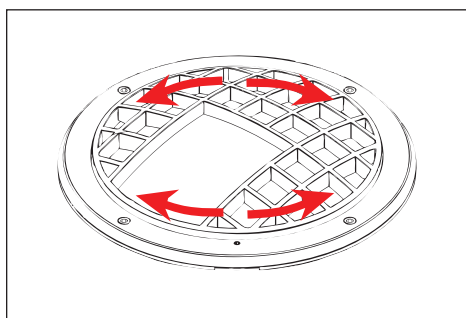


2. Install the faceplate using a 3/16" allen wrench and torque the faceplate screws in a cross pattern to 25 in-lbs.

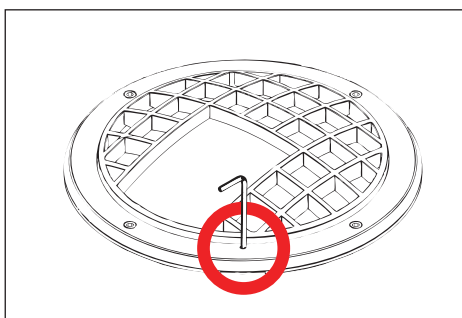


3. Using a 3/32" allen wrench, loosen the two sets screws on the faceplate to allow accessory to rotate freely.

⚠ FAILURE TO DO THIS STEP WILL CAUSE FIXTURE TO FAIL AND VOID PRODUCT WARRANTY.



4. Accessory can rotate 360° independently of faceplate.



5. When set in final position, tighten two set screws.

**IMPORTANT SAFETY INFORMATION LISTED ON REVERSE
READ, FOLLOW, AND SAVE ALL SAFETY AND INSTALLATION INSTRUCTIONS**

