

### Standard Installation

# TREE MOUNT

## LED/MR11 LOW VOLTAGE - REMOTE



Flammable



Warning



Low Voltage



Hot Surface

#### TOOLS NEEDED:

- 5/32" & 5/64" Allen Wrench
- Waterproof Wire Connectors
- Phillips Screwdriver

### INSTRUCTIONS PERTAINING TO A RISK OF FIRE, OR INJURY TO PERSONS IMPORTANT SAFETY INSTRUCTIONS

#### Lighted fixture is HOT!

#### WARNING - To reduce the risk of FIRE OR INJURY TO PERSONS:

Turn off/unplug and allow to cool before replacing lamp/LED. Fixture gets HOT quickly! Contact only switch/plug when turning on. Do not touch hot lens, guard, or enclosure. Keep fixture away from materials that may burn. Do not operate the luminaire fitting with a missing or damaged shield. Do not touch the source at any time. Use a soft cloth or gloves. Oil from skin may cause damage.

**SAVE THESE INSTRUCTIONS**

### IMPORTANT SAFETY INFORMATION - READ, FOLLOW, AND SAVE ALL SAFETY AND INSTALLATION INSTRUCTIONS

- Product must be installed by a qualified person in a manner consistent with its intended use and in compliance with the National Electrical Code, Canadian Electrical Code, and all Local and Provincial Codes.
- Follow product label information and instructions.
- Qualified Personnel with appropriate personal protective equipment must perform all servicing of this product.
- Before wiring to power supply and during servicing, turn off and lock out power at fuse or circuit breaker before service.
- The use of accessory equipment not recommended by the manufacturer or installed contrary to instructions may cause an unsafe condition. The use of damaged components may cause an unsafe condition and void product warranty.
- Do not block light emanating from product in whole or part, as this may cause an unsafe condition.
- Never operate the fixture with missing or damaged lens. Lens must be cleaned on regular basis.
- Entire fixture may become extremely hot. Do not touch hot lens or fixture body.
- Replace LED assembly only with correct wattage and type of power supply appropriate for LED assembly.
- All gaskets, o-rings and sealing surfaces must be kept clean during installation and service; failure to do this may cause an unsafe condition and void product warranty.

### IMPORTANT LISTINGS AND CERTIFICATIONS

- Suitable for wet locations • Additionally suitable for mounting within 4 ft. of the ground

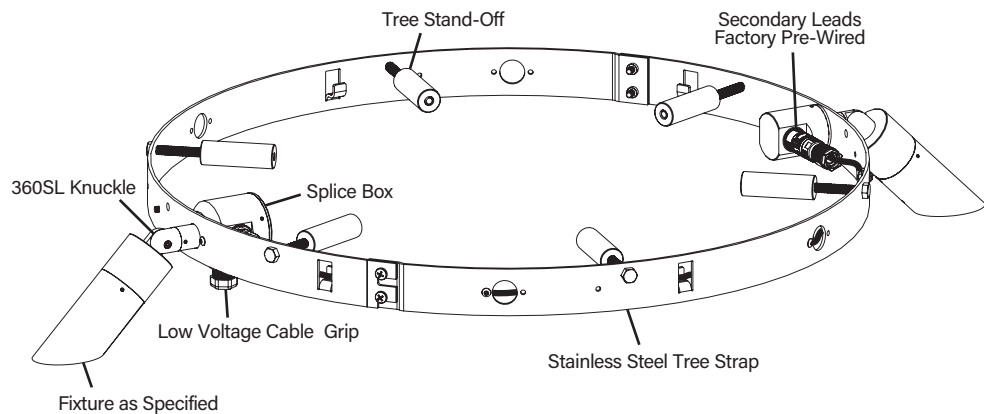
Please refer to the low voltage design guide at "<https://www.bklighting.com/resources/>" before installation for proper wire selection.

**This set of instructions works for:**

**MM-TM**  
Mini-Micro LED

**MN-TM**  
Micro Nite LED

**For all remote fixture configurations**



### IMPORTANT SAFETY INFORMATION - READ, FOLLOW, AND SAVE THESE INSTALLATION INSTRUCTIONS

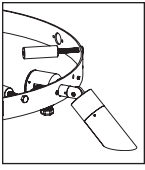
# B-K LIGHTING

40429 Brickyard Drive • Madera, CA 93636 • USA  
559.438.5800 • FAX 559.438.5900  
www.bklighting.com • info@bklighting.com

RELEASE DATE  
03/17/2026

REFERENCE NUMBER  
INS-2802-00

THIS DOCUMENT CONTAINS PROPRIETARY INFORMATION OF B-K LIGHTING, INC. AND ITS RECEIPT OR POSSESSION DOES NOT CONVEY ANY RIGHTS TO REPRODUCE, DISCLOSE ITS CONTENTS, OR TO MANUFACTURE, USE OR SELL ANYTHING IT MAY DESCRIBE. REPRODUCTION, DISCLOSURE OR USE WITHOUT SPECIFIC WRITTEN AUTHORIZATION OF B-K LIGHTING, INC. IS STRICTLY FORBIDDEN.

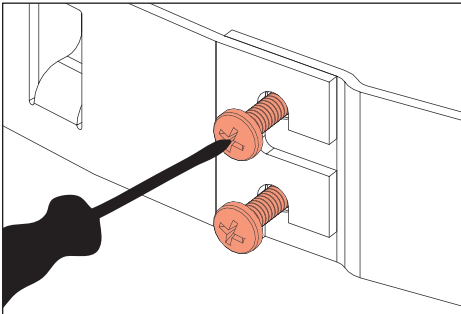


## Standard Installation

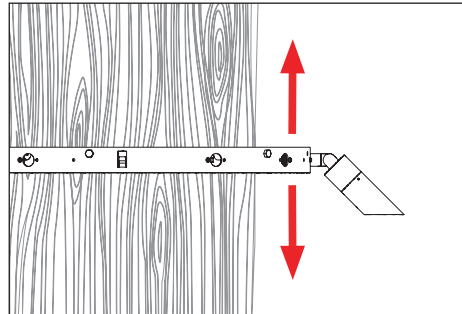
# TREE MOUNT

LED/MR11 LOW VOLTAGE - REMOTE

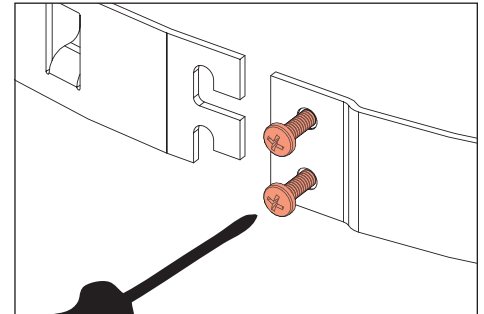
## Fixture Installation



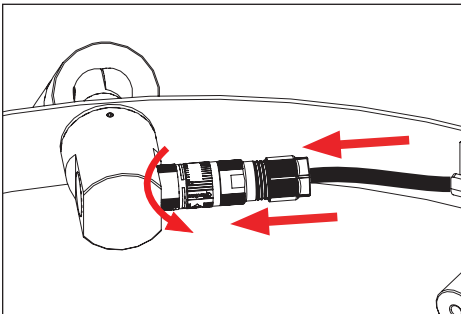
1. Locate side of strap without factory pre-wired cable. To open strap, use Phillips screwdriver to back out strap screws. Strap hooks over two (2) phillips screws on strap.



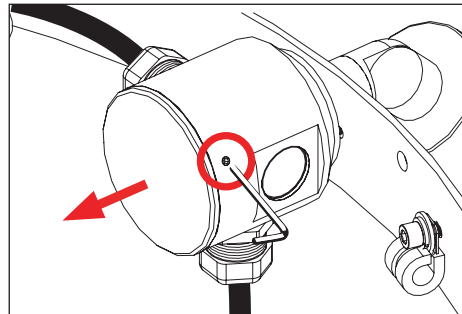
2. Place tree ring fixture around tree. Move fixture to desired height. Tighten the entire assembly to the tree with provided stand-offs.



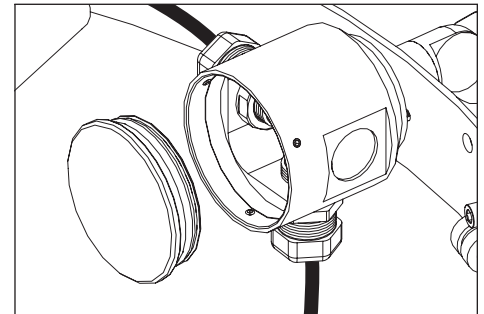
3. Secure by hooking end of strap over two (2) phillips screws. Secure by tightening two (2) phillips screws with phillips screwdriver.



4. Connect secondary cable then twist to secure in place.

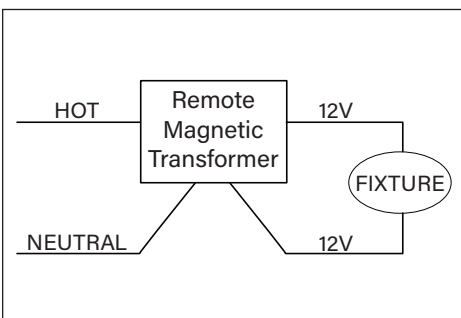


5. Open main splice box by loosening three (3) #8-32 set screws using a 5/64" allen wrench. Main splice box has cord grip on bottom of splice box.



6. Bring low voltage cable from remote transformer secondary side to main splice box location. Loosen cord grip on bottom of splice box, feed low voltage cable from remote transformer through, then tighten cord grip to secure.

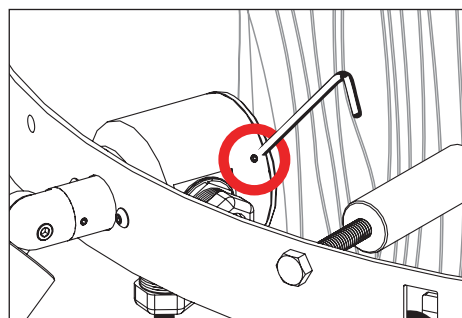
**⚠** Leave enough lead length for future service.



### WIRING DIAGRAM

7. Make watertight connections from remote transformer secondary side to fixture leads with waterproof outdoor wire connectors (not included). **See wiring diagram.**

**⚠** LED - For use with 12VAC LED remote transformer or magnetic transformers only. B-K Lighting cannot guarantee performance with third party manufacturers' transformers.



8. Close main splice box with three (3) #8-32 set screws using a 5/64" allen wrench. Secondary side of fixture and additional fixtures are factory pre-wired. Adjust fixture aiming as required.

**IMPORTANT SAFETY INFORMATION LISTED ON REVERSE  
READ, FOLLOW, AND SAVE ALL SAFETY AND INSTALLATION INSTRUCTIONS**

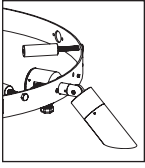


# B-K LIGHTING

40429 Brickyard Drive • Madera, CA 93636 • USA  
559.438.5800 • FAX 559.438.5900  
www.bklighting.com • info@bklighting.com

RELEASE DATE  
03/17/2026

REFERENCE NUMBER  
INS-2802-00

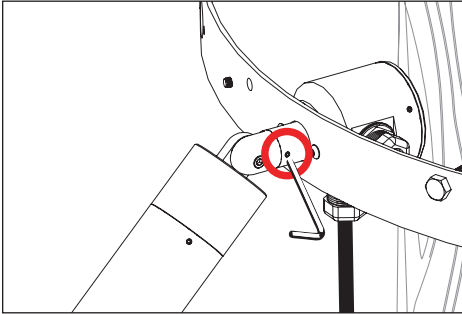


## Standard Installation

# TREE MOUNT

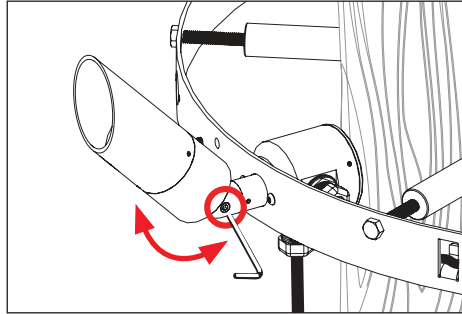
LED/MR11 LOW VOLTAGE - REMOTE

### 360SL Knuckle



1. Use a 5/64" allen wrench to slightly loosen two (2) #8-32 stainless steel set screws on the stem for 360° aiming purpose, then tighten screws.

**⚠ Warning: Do not over tighten set screw. Doing so will compromise o-ring seal and will void warranty.**



2. Use a 5/32" allen wrench to loosen #10-32 stainless steel black oxide socket head cap screw at the knuckle for vertical aiming purpose, then tighten screws.

**IMPORTANT SAFETY INFORMATION LISTED ON REVERSE  
READ, FOLLOW, AND SAVE ALL SAFETY AND INSTALLATION INSTRUCTIONS**

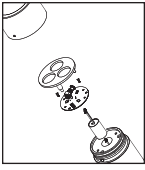


**B-K LIGHTING**

40429 Brickyard Drive • Madera, CA 93636 • USA  
559.438.5800 • FAX 559.438.5900  
www.bklighting.com • info@bklighting.com

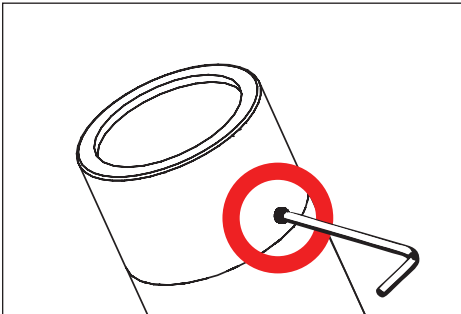
RELEASE DATE  
03/17/2026

REFERENCE NUMBER  
INS-2802-00

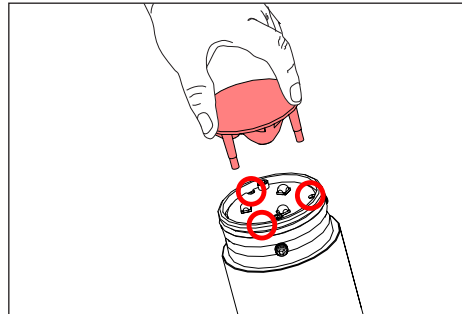


## Replacement Instructions

### Replacing LED Board/Driver and Optics



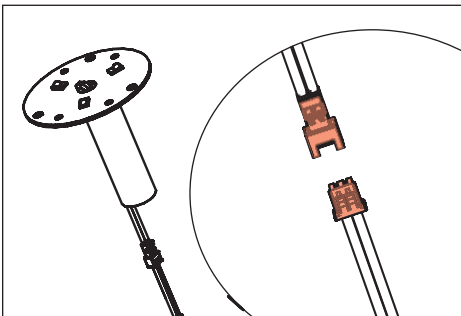
1. Use a 5/64" allen wrench to loosen #8-32 stainless set screw and remove cap.



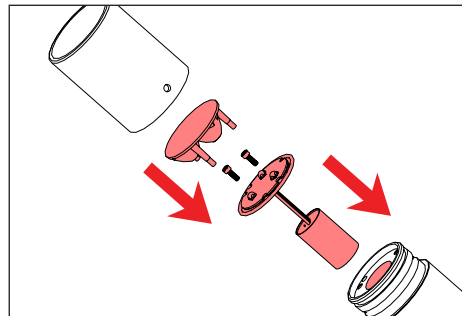
2. Space three fingers evenly around the optic and gently rock optic to remove.



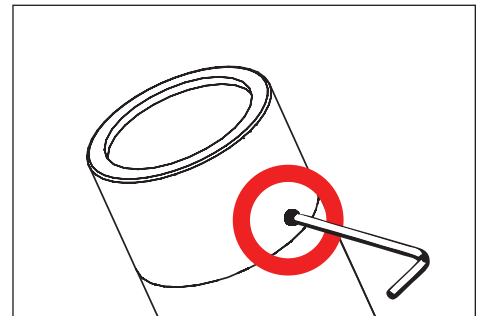
3. Use a 5/64" allen wrench to remove two (2) #2-56 socket head cap screws on LED board, grasp LED board and gently pull up to expose quick disconnect.



4. Disengage LED board and driver assembly. Replace with new board and driver assembly.



5. Reverse install LED board and driver by carefully wrapping 18 gauge wires around driver and inserting into fixture body. Secure LED board in place with stainless steel screws.



6. Place cap on fixture and tighten set screw. Tighten screw to 1/2 in-lbs. Top of screw should sit flush with fixture cap.

**Warning:** Do not over tighten set screw. Doing so will compromise o-ring seal and will void warranty. Cap should be able to rotate without force.

**IMPORTANT SAFETY INFORMATION LISTED ON REVERSE  
READ, FOLLOW, AND SAVE ALL SAFETY AND INSTALLATION INSTRUCTIONS**

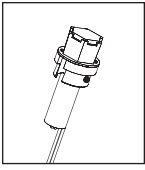


**B-K LIGHTING**

40429 Brickyard Drive • Madera, CA 93636 • USA  
559.438.5800 • FAX 559.438.5900  
www.bklighting.com • info@bklighting.com

RELEASE DATE  
03/17/2026

REFERENCE NUMBER  
INS000010



# MINI MICRO LED, BOARD, & OPTICS REPLACEMENT

## Standard Installation/Replacement



Flammable



Warning



Low Voltage



Hot Surface

### TOOLS NEEDED:



.050" & 9/64" Allen Wrench



Small Flat Head Screw Driver

### INSTRUCTIONS PERTAINING TO A RISK OF FIRE, OR INJURY TO PERSONS IMPORTANT SAFETY INSTRUCTIONS

#### Lighted fixture is HOT!

#### WARNING - To reduce the risk of FIRE OR INJURY TO PERSONS:

Turn off/unplug and allow to cool before replacing lamp/LED. Fixture gets HOT quickly! Contact only switch/plug when turning on. Do not touch hot lens, guard, or enclosure. Keep fixture away from materials that may burn. Do not operate the luminaire fitting with a missing or damaged shield. Do not touch the source at any time. Use a soft cloth or gloves. Oil from skin may cause damage.

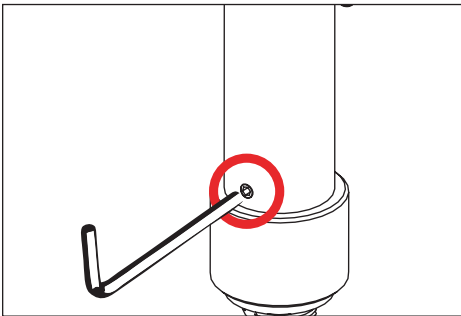
**SAVE THESE INSTRUCTIONS**

### IMPORTANT SAFETY INFORMATION - READ, FOLLOW, AND SAVE ALL SAFETY AND INSTALLATION INSTRUCTIONS

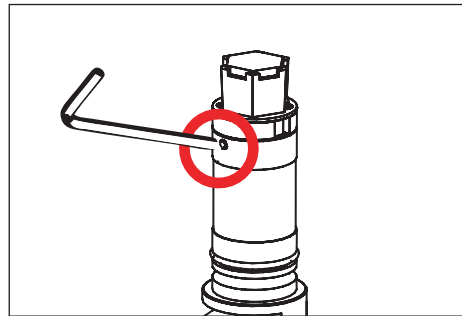
- Product must be installed by a qualified person in a manner consistent with its intended use and in compliance with the National Electrical Code, Canadian Electrical Code, and all Local and Provincial Codes.
- Follow product label information and instructions.
- Qualified Personnel with appropriate personal protective equipment must perform all servicing of this product.
- Before wiring to power supply and during servicing, turn off and lock out power at fuse or circuit breaker before service.
- The use of accessory equipment not recommended by the manufacturer or installed contrary to instructions may cause an unsafe condition. The use of damaged components may cause an unsafe condition and void product warranty.
- Do not block light emanating from product in whole or part, as this may cause an unsafe condition.
- Never operate the fixture with missing or damaged lens. Lens must be cleaned on regular basis.
- Entire fixture may become extremely hot. Do not touch hot lens or fixture body.
- Replace LED assembly only with correct wattage and type of power supply appropriate for LED assembly.
- All gaskets, o-rings and sealing surfaces must be kept clean during installation and service; failure to do this may cause an unsafe condition and void product warranty.

### IMPORTANT LISTINGS AND CERTIFICATIONS

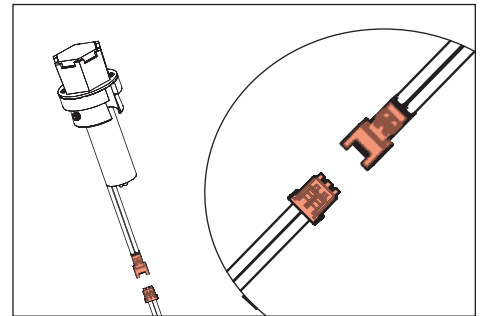
### Re-placing LED Board/Driver and Optics



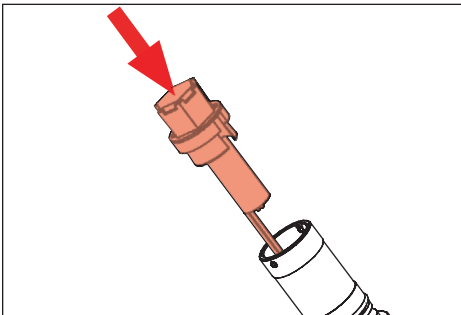
1. Use a 5/64" allen wrench to loosen #8-32 stainless steel set screw and remove cap.



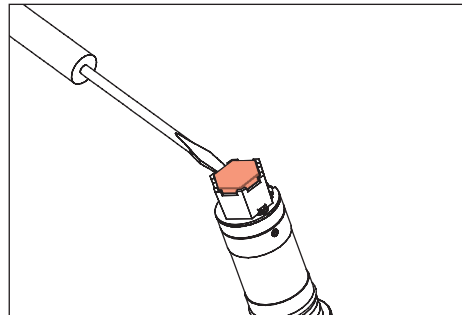
2. Use a .050" allen wrench to loosen two (2) #4-40 stainless steel set screws below LED board on the heat sink. Gently pull up on LED board and Driver assembly to expose quick disconnect.



3. Disengage LED board and driver assembly. Replace with new board and driver assembly.



4. Reverse install LED board and driver by carefully wrapping 18 gauge wires around driver and inserting into fixture body. Secure LED board in place with two (2) #4-40 stainless steel set screws.



5. Use small flat head screw driver to remove lens from optic holder on the LED. Snap new optic in place. Replace cap on fixture and tighten set screw.

### IMPORTANT SAFETY INFORMATION - READ, FOLLOW, AND SAVE THESE INSTALLATION INSTRUCTIONS

# B-K LIGHTING

40429 Brickyard Drive • Madera, CA 93636 • USA  
559.438.5800 • FAX 559.438.5900  
www.bklighting.com • info@bklighting.com

RELEASE DATE  
03/17/2026

REFERENCE NUMBER  
INS000003