

Standard Installation

MICRO NITE

BOLLARD SINGLE/TWIN - POWER BASE - LED/MR11 LOW POWER



Flammable



Warning



Low Voltage



Hot Surface

TOOLS NEEDED:

- 5/32" Allen Wrench
- Waterproof Wire Connectors
- Phillips Screwdriver

INSTRUCTIONS PERTAINING TO A RISK OF FIRE, OR INJURY TO PERSONS IMPORTANT SAFETY INSTRUCTIONS

Lighted fixture is HOT!

WARNING - To reduce the risk of FIRE OR INJURY TO PERSONS:

Turn off/unplug and allow to cool before replacing lamp/LED. Fixture gets HOT quickly! Contact only switch/plug when turning on. Do not touch hot lens, guard, or enclosure. Keep fixture away from materials that may burn. Do not operate the luminaire fitting with a missing or damaged shield. Do not touch the source at any time. Use a soft cloth or gloves. Oil from skin may cause damage.

SAVE THESE INSTRUCTIONS

IMPORTANT SAFETY INFORMATION - READ, FOLLOW, AND SAVE ALL SAFETY AND INSTALLATION INSTRUCTIONS

- Product must be installed by a qualified person in a manner consistent with its intended use and in compliance with the National Electrical Code, Canadian Electrical Code, and all Local and Provincial Codes.
- Follow product label information and instructions.
- Qualified Personnel with appropriate personal protective equipment must perform all servicing of this product.
- Before wiring to power supply and during servicing, turn off and lock out power at fuse or circuit breaker before service.
- The use of accessory equipment not recommended by the manufacturer or installed contrary to instructions may cause an unsafe condition. The use of damaged components may cause an unsafe condition and void product warranty.
- Do not block light emanating from product in whole or part, as this may cause an unsafe condition.
- Never operate the fixture with missing or damaged lens. Lens must be cleaned on regular basis.
- Entire fixture may become extremely hot. Do not touch hot lens or fixture body.
- Replace LED assembly only with correct wattage and type of power supply appropriate for LED assembly.
- All gaskets, o-rings and sealing surfaces must be kept clean during installation and service; failure to do this may cause an unsafe condition and void product warranty.

IMPORTANT LISTINGS AND CERTIFICATIONS

- Suitable for wet locations
- Suitable for mounting within 4 ft. of the ground.

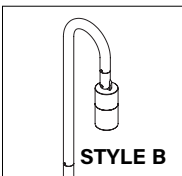
Please refer to the low voltage design guide at "<https://www.bklighting.com/resources/>" before installation for proper wire selection.

This set of instructions works for:

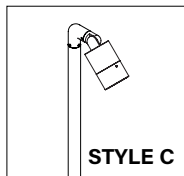
MN-BO-B - Micro Nite Bollard Style "B"

MN-BO-C - Micro Nite Bollard Style "C"

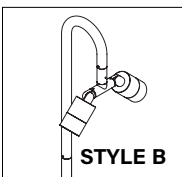
MN-BO-L - Micro Nite Bollard Style "L"



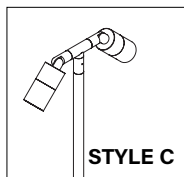
STYLE B



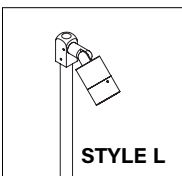
STYLE C



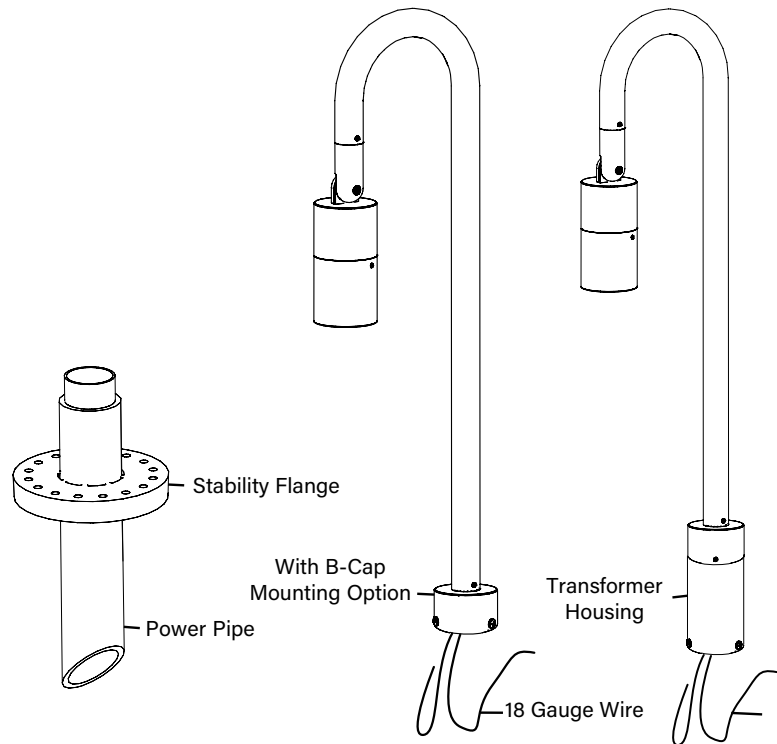
STYLE B



STYLE C



STYLE L



IMPORTANT SAFETY INFORMATION - READ, FOLLOW, AND SAVE THESE INSTALLATION INSTRUCTIONS

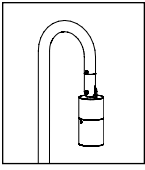
B-K LIGHTING

40429 Brickyard Drive • Madera, CA 93636 • USA
 559.438.5800 • FAX 559.438.5900
www.bklighting.com • info@bklighting.com

RELEASE DATE
 04/02/2026

REFERENCE NUMBER
 INS000999

THIS DOCUMENT CONTAINS PROPRIETARY INFORMATION OF B-K LIGHTING, INC. AND ITS RECEIPT OR POSSESSION DOES NOT CONVEY ANY RIGHTS TO REPRODUCE, DISCLOSE ITS CONTENTS, OR TO MANUFACTURE, USE OR SELL ANYTHING IT MAY DESCRIBE. REPRODUCTION, DISCLOSURE OR USE WITHOUT SPECIFIC WRITTEN AUTHORIZATION OF B-K LIGHTING, INC. IS STRICTLY FORBIDDEN.



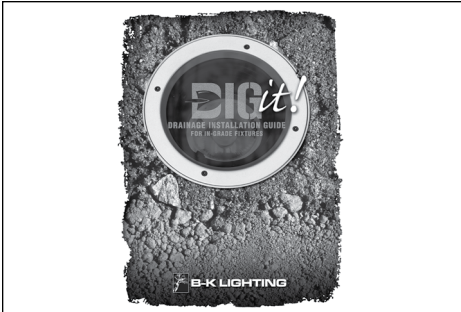
Standard Installation

MICRO NITE

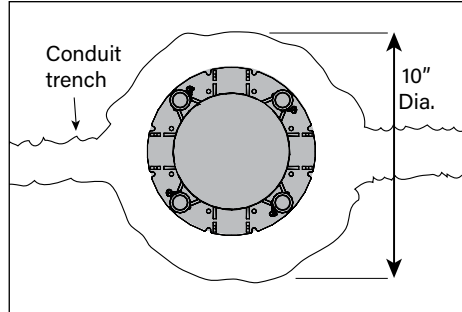
BOLLARD SINGLE/TWIN - POWER BASE - LED/MR11 LOW POWER

TRANSFORMER HOUSING MUST BE INSTALLED ABOVE GRADE. POWER PIPE IS LABELED AT GRADE LEVEL. TRANSFORMER HOUSING INSTALLED BELOW GRADE WILL VOID WARRANTY

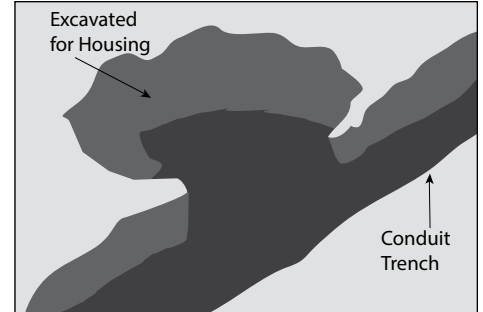
Soil Prep



A. Determine Soil Type by referencing DIG-IT Guide. Prep soil according to DIG-IT Guide.

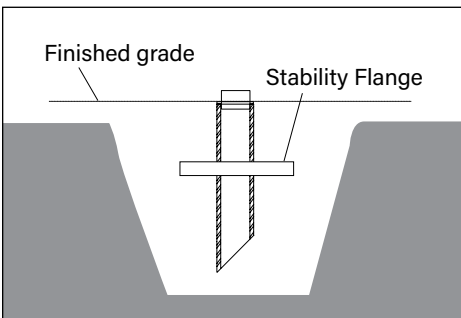


B. Dig hole 10" wide and 24" deep.

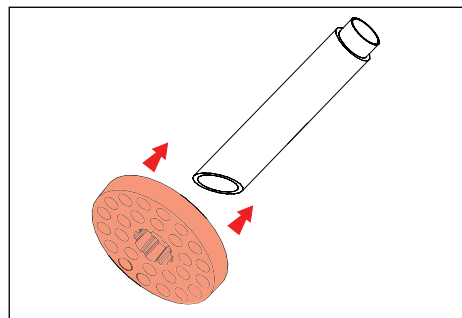


C. Prep soil according to DIG-IT Guide.

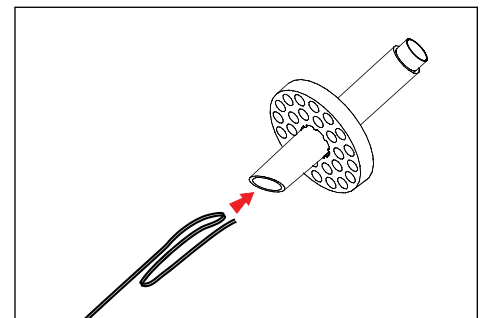
Power Pipe Installation



1. Excavate trench according to designed lighting plan. Dig hole a minimum of 24" deep and 10" wide to accommodate power pipe at desired fixture locations.

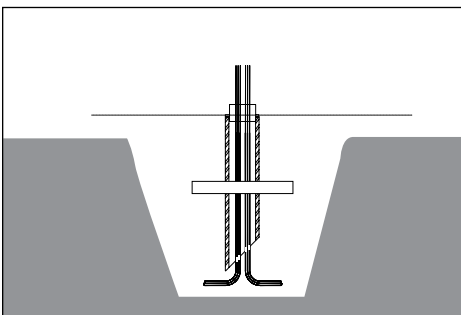


2. Slide optional stability flange onto power pipe. Use optional stability flange to aid in installation of power pipe.

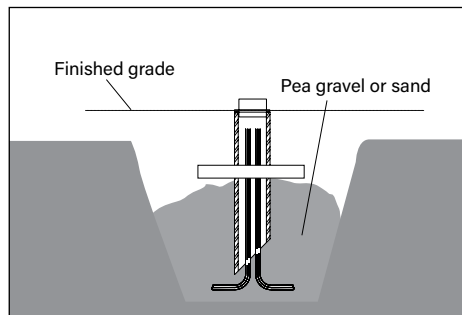


3. Loop 12" of low voltage wire inside power pipe. Do not remove temporary cover.

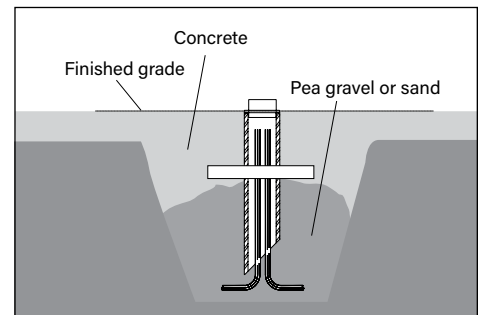
⚠ NOTE: Leave sufficient wire length in the power pipe for future service. Do not cut PVC.



4. Pull low voltage wiring from remote 12V transformer to power pipe. Allow for additional cable to make connections to fixture lead and future service. Place power pipe in hole.



5. Back fill with pea gravel or sand prior to pour.



6. Pour concrete.

⚠ Label on power pipe indicates installation depth with finished grade.

**IMPORTANT SAFETY INFORMATION LISTED ON REVERSE
READ, FOLLOW, AND SAVE ALL SAFETY AND INSTALLATION INSTRUCTIONS**

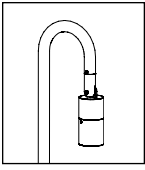


B-K LIGHTING

40429 Brickyard Drive • Madera, CA 93636 • USA
559.438.5800 • FAX 559.438.5900
www.bklighting.com • info@bklighting.com

RELEASE DATE
04/02/2026

REFERENCE NUMBER
INS000999

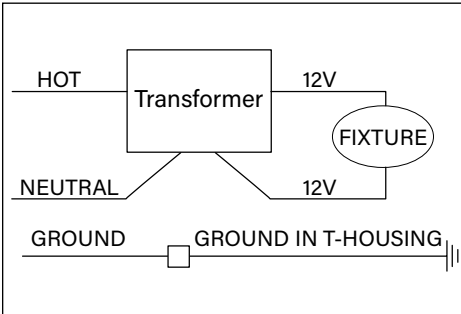


Standard Installation

MICRO NITE

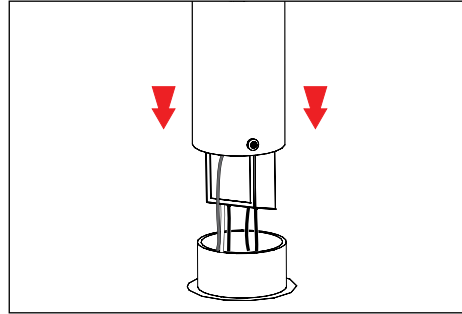
BOLLARD SINGLE/TWIN - POWER BASE - LED/MR11 LOW POWER

Power Pipe with Transformer Housing Base Mounting Option

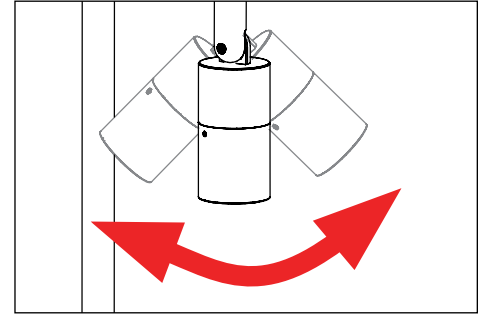


WIRING DIAGRAM

6. Make watertight connections from branch circuit wiring to transformer primary leads using waterproof wire connectors. **See wiring diagram.**
7. Attach ground from branch circuit to ground screw in transformer housing.

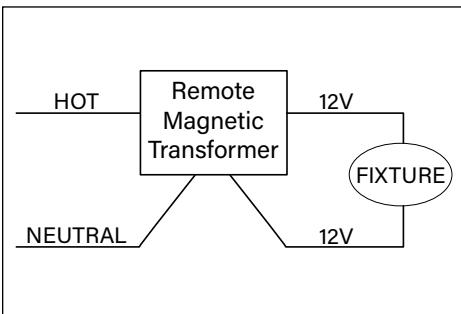


8. Place wires, connectors and transformer into transformer housing and attach to Power Pipe™. Tighten three (3) #8-32 stainless steel round head Phillips screws at transformer housing base to secure.



9. Use a 5/32" allen wrench to loosen #10-32 stainless steel black oxide socket head cap screw at the knuckle. Aim fixture to desired vertical location. Tighten to secure aiming position.

Power Pipe with B Cap Fixture Mounting Option

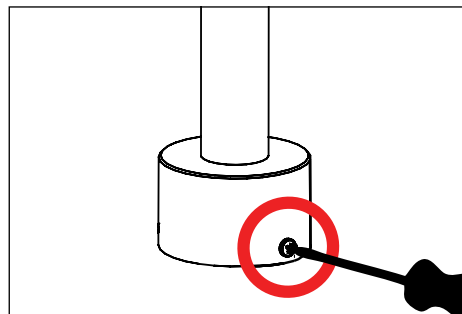


6. Make watertight connections from remote 12V transformer to lamp leads (18 gauge wire) using waterproof wire connectors. **See wiring diagram.**

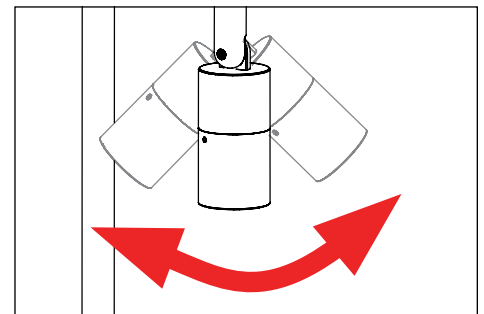
WIRING DIAGRAM

⚠ **LED** - For use with 12VAC LED remote transformer or magnetic transformers only. B-K Lighting cannot guarantee performance with third party manufacturers' transformers.

⚠ **Low Voltage** - For use with 12VAC remote transformer.



7. Place fixture on power pipe. Tighten three (3) #8-32 stainless steel round head phillips screws to secure to installed power pipe.



8. Use a 5/32" allen wrench to loosen #10-32 stainless steel black oxide socket head cap screw at the knuckle. Aim fixture to desired vertical location. Tighten to secure aiming position.

**IMPORTANT SAFETY INFORMATION LISTED ON REVERSE
READ, FOLLOW, AND SAVE ALL SAFETY AND INSTALLATION INSTRUCTIONS**

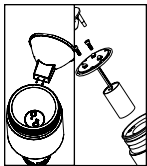


B-K LIGHTING

40429 Brickyard Drive • Madera, CA 93636 • USA
559.438.5800 • FAX 559.438.5900
www.bklighting.com • info@bklighting.com

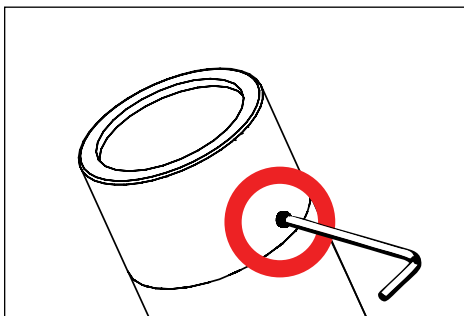
RELEASE DATE
04/02/2026

REFERENCE NUMBER
INS000999

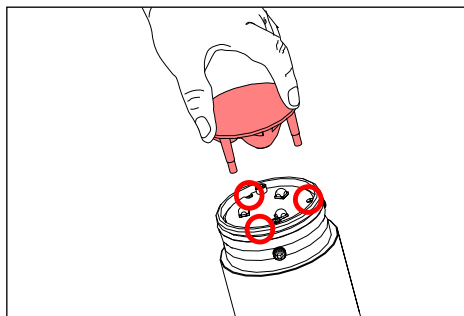


Replacement Instructions

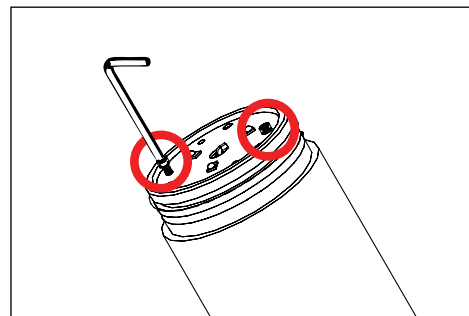
Replacing LED Board/Driver and Optics



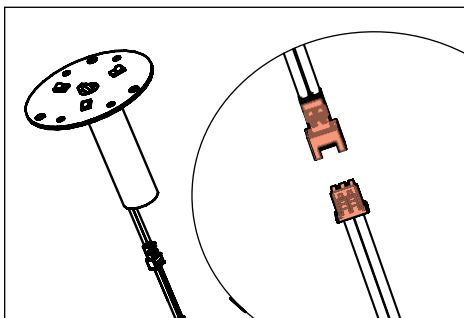
1. Use a 5/64" allen wrench to loosen #8-32 stainless set screw and remove cap.



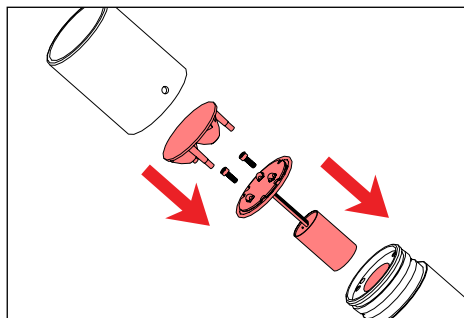
2. Space three fingers evenly around the optic and gently rock optic to remove.



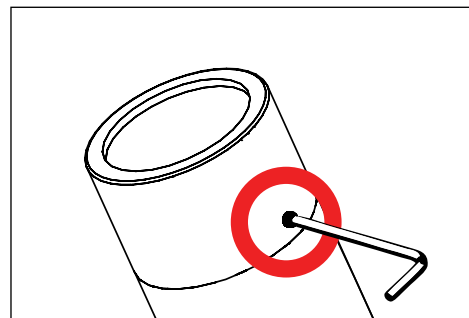
3. Use a 5/64" allen wrench to remove two (2) #2-56 socket head cap screws on LED board, grasp LED board and gently pull up to expose quick disconnect.



4. Disengage LED board and driver assembly. Replace with new board and driver assembly.



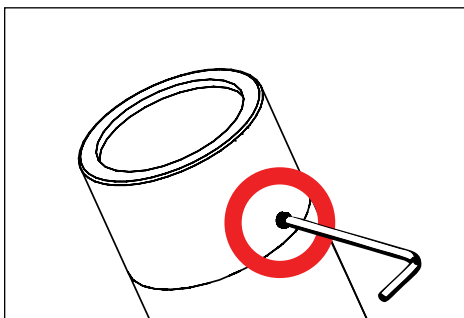
5. Reverse install LED board and driver by carefully wrapping 18 gauge wires around driver and inserting into fixture body. Secure LED board in place with stainless steel screws.



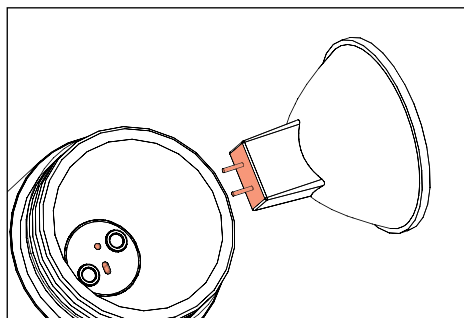
6. Place cap on fixture and tighten set screw. Tighten screw to 1/2 in-lbs. Top of screw should sit flush with fixture cap.

Warning: Do not over tighten set screw. Doing so will compromise o-ring seal and will void warranty. Cap should be able to rotate without force.

Replacing Low Voltage LED Lamps

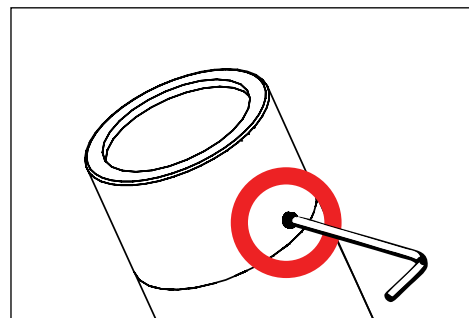


1. Use a 5/64" allen wrench to loosen #8-32 stainless set screw and remove cap.



2. Firmly insert lamp pins into socket to make connection. Rocking motion may be required.

Warning: Do not exceed the maximum wattage listed on the fixture label before installing.



3. Place cap on fixture and tighten set screw. Tighten screw to 1/2 in-lbs. Top of screw should sit flush with fixture cap.

Warning: Do not over tighten set screw. Doing so will compromise o-ring seal and will void warranty. Cap should be able to rotate without force.

**IMPORTANT SAFETY INFORMATION LISTED ON REVERSE
READ, FOLLOW, AND SAVE ALL SAFETY AND INSTALLATION INSTRUCTIONS**

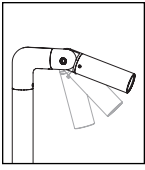


B-K LIGHTING


40429 Brickyard Drive • Madera, CA 93636 • USA
559.438.5800 • FAX 559.438.5900
www.bklighting.com • info@bklighting.com

RELEASE DATE
04/02/2026

REFERENCE NUMBER
INS000010



Standard Adjustment

TOOLS NEEDED:	 5/32" & 5/64" Allen Wrench
----------------------	----------------------------------------------------------------------------------------------------------------



Flammable



Warning



Hot Surface

INSTRUCTIONS PERTAINING TO A RISK OF FIRE, OR INJURY TO PERSONS IMPORTANT SAFETY INSTRUCTIONS

Lighted fixture is HOT!

WARNING - To reduce the risk of FIRE OR INJURY TO PERSONS:

Turn off/unplug and allow to cool before replacing lamp/LED. Fixture gets HOT quickly! Contact only switch/plug when turning on. Do not touch hot lens, guard, or enclosure. Keep fixture away from materials that may burn. Do not operate the luminaire fitting with a missing or damaged shield. Do not touch the source at any time. Use a soft cloth or gloves. Oil from skin may cause damage.

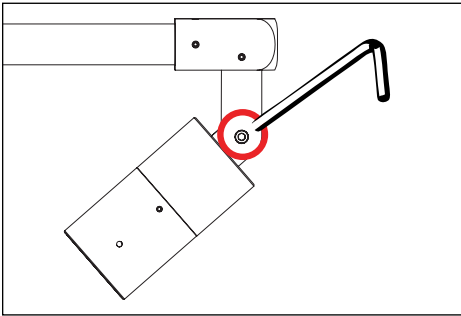
SAVE THESE INSTRUCTIONS

IMPORTANT SAFETY INFORMATION - READ, FOLLOW, AND SAVE ALL SAFETY AND INSTALLATION INSTRUCTIONS

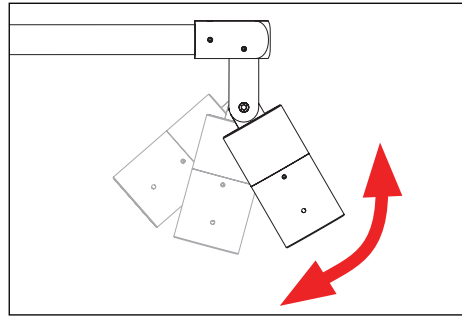
- Product must be installed by a qualified person in a manner consistent with its intended use and in compliance with the National Electrical Code, Canadian Electrical Code, and all Local and Provincial Codes.
- Follow product label information and instructions.
- Qualified Personnel with appropriate personal protective equipment must perform all servicing of this product.
- Before wiring to power supply and during servicing, turn off and lock out power at fuse or circuit breaker before service.
- The use of accessory equipment not recommended by the manufacturer or installed contrary to instructions may cause an unsafe condition. The use of damaged components may cause an unsafe condition and void product warranty.
- Do not block light emanating from product in whole or part, as this may cause an unsafe condition.
- Never operate the fixture with missing or damaged lens. Lens must be cleaned on regular basis.
- Entire fixture may become extremely hot. Do not touch hot lens or fixture body.
- Replace LED assembly only with correct wattage and type of power supply appropriate for LED assembly.
- All gaskets, o-rings and sealing surfaces must be kept clean during installation and service; failure to do this may cause an unsafe condition and void product warranty.

IMPORTANT LISTINGS AND CERTIFICATIONS

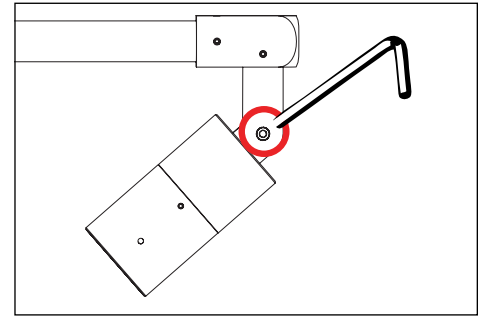
L.O.C.K. Knuckle - (Locking 'O' Ring Compression Knuckle)



1. Use a 5/32" allen wrench to slightly loosen #10-32 stainless steel set screw on the stem for 180° aiming purpose.

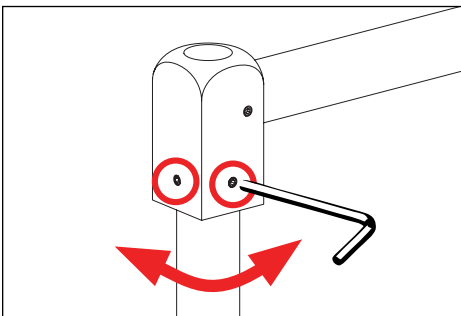


2. Aim fixture to desired angle.

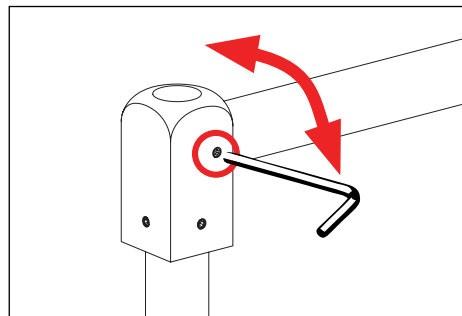


3. Tighten #10-32 stainless steel set screw using a 5/32" allen wrench to secure aiming position.

⚠ Warning: Do not over tighten set screw. Doing so will compromise o-ring seal and will void warranty.



4. To adjust stem horizontally, loosen two (2) #8-32 screws at base of stem cap using a 5/64" allen wrench. Adjust as needed, then secure.



5. To adjust stem, loosen #8-32 screw with a 5/64" allen wrench at stem cap. Adjust as needed, then secure.

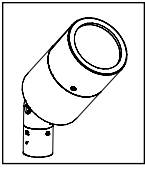
IMPORTANT SAFETY INFORMATION - READ, FOLLOW, AND SAVE THESE INSTALLATION INSTRUCTIONS

B-K LIGHTING

40429 Brickyard Drive • Madera, CA 93636 • USA
559.438.5800 • FAX 559.438.5900
www.bklighting.com • info@bklighting.com

RELEASE DATE
04/02/2026

REFERENCE NUMBER
INS-2164-00



Standard Adjustment

360SL KNUCKLE MOUNTING SYSTEM



Flammable



Warning



Hot Surface

TOOLS NEEDED:

➤ 5/32" & 5/64" Allen wrench

INSTRUCTIONS PERTAINING TO A RISK OF FIRE, OR INJURY TO PERSONS IMPORTANT SAFETY INSTRUCTIONS

Lighted fixture is HOT!

WARNING - To reduce the risk of FIRE OR INJURY TO PERSONS:

Turn off/unplug and allow to cool before replacing lamp/LED. Fixture gets HOT quickly! Contact only switch/plug when turning on. Do not touch hot lens, guard, or enclosure. Keep fixture away from materials that may burn. Do not operate the luminaire fitting with a missing or damaged shield. Do not touch the source at any time. Use a soft cloth or gloves. Oil from skin may cause damage.

SAVE THESE INSTRUCTIONS

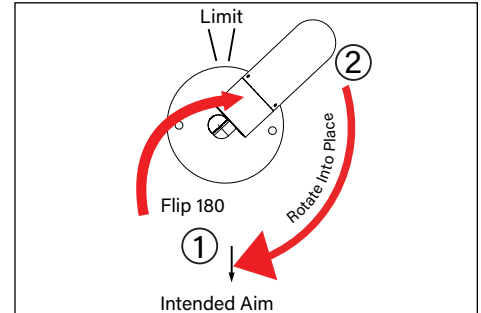
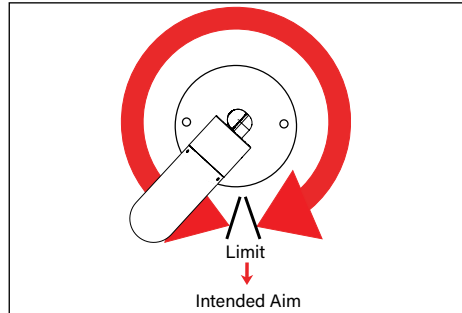
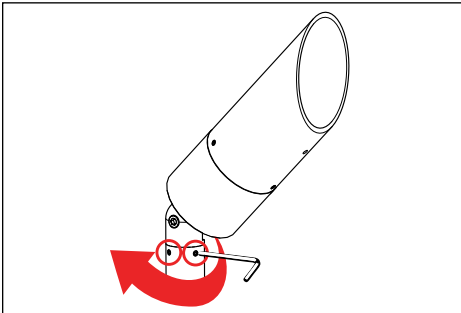
IMPORTANT SAFETY INFORMATION - READ, FOLLOW, AND SAVE ALL SAFETY AND INSTALLATION INSTRUCTIONS

- Product must be installed by a qualified person in a manner consistent with its intended use and in compliance with the National Electrical Code, Canadian Electrical Code, and all Local and Provincial Codes.
- Follow product label information and instructions.
- Qualified Personnel with appropriate personal protective equipment must perform all servicing of this product.
- Before wiring to power supply and during servicing, turn off and lock out power at fuse or circuit breaker before service.
- The use of accessory equipment not recommended by the manufacturer or installed contrary to instructions may cause an unsafe condition. The use of damaged components may cause an unsafe condition and void product warranty.
- Do not block light emanating from product in whole or part, as this may cause an unsafe condition.
- Never operate the fixture with missing or damaged lens. Lens must be cleaned on regular basis.
- Entire fixture may become extremely hot. Do not touch hot lens or fixture body.
- Replace LED assembly only with correct wattage and type of power supply appropriate for LED assembly.
- All gaskets, o-rings and sealing surfaces must be kept clean during installation and service; failure to do this may cause an unsafe condition and void product warranty.

IMPORTANT LISTINGS AND CERTIFICATIONS

- Suitable for wet locations • Additionally suitable for mounting within 4 ft. of the ground

360SL Knuckle Mounting System



1. Use a 5/64" allen wrench to slightly loosen two (2) #8-32 set screw on the knuckle for 360° aiming purpose.
2. Rotate fixture at base and aim fixture to desired horizontal location.
3. If the over-rotation protection pin is in the desired aiming position, do not force the fixture past the limit. Using a 5/64" and 5/32" allen wrench, slightly loosen both set screws in the knuckle and knuckle screw enough to move the fixture freely on both axes.
4. Flip the fixture 180 degrees over the knuckle. The rotational range limit will now be 180 degrees from the original position. Now rotate the fixture into the desired aiming position.
5. Secure aim by tightening two (2) #8-32 set screws using a 5/64" allen wrench and one (1) #10-32 screw using a 5/32" allen wrench.

⚠ **Rotating the cap may be necessary for proper weep hole and cutoff position**

⚠ **Warning: Do not over tighten cap set screws. Doing so will compromise o-ring seal and will void warranty.**

IMPORTANT SAFETY INFORMATION - READ, FOLLOW, AND SAVE THESE INSTALLATION INSTRUCTIONS

B-K LIGHTING

40429 Brickyard Drive • Madera, CA 93636 • USA
559.438.5800 • FAX 559.438.5900
www.bklighting.com • info@bklighting.com

RELEASE DATE
04/02/2026

REFERENCE NUMBER
INS-2097-00

THIS DOCUMENT CONTAINS PROPRIETARY INFORMATION OF B-K LIGHTING, INC. AND ITS RECEIPT OR POSSESSION DOES NOT CONVEY ANY RIGHTS TO REPRODUCE, DISCLOSE ITS CONTENTS, OR TO MANUFACTURE, USE OR SELL ANYTHING IT MAY DESCRIBE. REPRODUCTION, DISCLOSURE OR USE WITHOUT SPECIFIC WRITTEN AUTHORIZATION OF B-K LIGHTING, INC. IS STRICTLY FORBIDDEN.