

# PM1 & PM2 SPLICE BOX - RECTANGULAR CAMLOCK

## Standard Instructions



Flammable



Warning



Hot Surface

TOOLS NEEDED:	
	1/8" & 9/64" Allen Wrench
	Waterproof Wire Connectors
	Phillips Screwdriver
	Level

### INSTRUCTIONS PERTAINING TO A RISK OF FIRE, OR INJURY TO PERSONS IMPORTANT SAFETY INSTRUCTIONS

#### Lighted fixture is HOT! WARNING - To reduce the risk of FIRE OR INJURY TO PERSONS:

Turn off/unplug and allow to cool before replacing lamp/LED. Fixture gets HOT quickly! Contact only switch/plug when turning on. Do not touch hot lens, guard, or enclosure. Keep fixture away from materials that may burn. Do not operate the luminaire fitting with a missing or damaged shield. Do not touch the source at any time. Use a soft cloth or gloves. Oil from skin may cause damage.

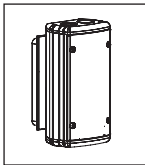
**SAVE THESE INSTRUCTIONS**

### IMPORTANT SAFETY INFORMATION - READ, FOLLOW, AND SAVE ALL SAFETY AND INSTALLATION INSTRUCTIONS

- Product must be installed by a qualified person in a manner consistent with its intended use and in compliance with the National Electrical Code, Canadian Electrical Code, and all Local and Provincial Codes.
- Follow product label information and instructions.
- Qualified Personnel with appropriate personal protective equipment must perform all servicing of this product.
- Before wiring to power supply and during servicing, turn off and lock out power at fuse or circuit breaker before service.
- The use of accessory equipment not recommended by the manufacturer or installed contrary to instructions may cause an unsafe condition. The use of damaged components may cause an unsafe condition and void product warranty.
- Do not block light emanating from product in whole or part, as this may cause an unsafe condition.
- Never operate the fixture with missing or damaged lens. Lens must be cleaned on regular basis.
- Entire fixture may become extremely hot. Do not touch hot lens or fixture body.
- Replace LED assembly only with correct wattage and type of power supply appropriate for LED assembly.
- All gaskets, o-rings and sealing surfaces must be kept clean during installation and service; failure to do this may cause an unsafe condition and void product warranty.

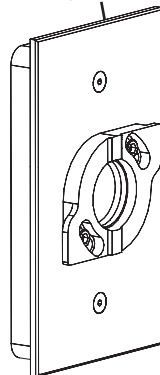
### IMPORTANT LISTINGS AND CERTIFICATIONS

- Suitable for wet locations

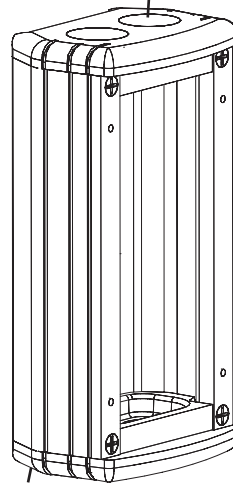


PM2

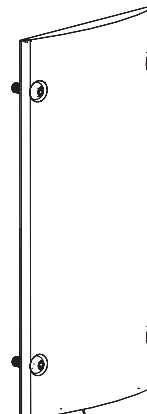
Rectangular CamLock



Knockouts



PM1 Housing



Faceplate

This set of instructions works for:

**PM1 SPLICE BOX  
PM2 SPLICE BOX**

\*UPM is covered in whole or in part by US patent #6,940,012

### IMPORTANT SAFETY INFORMATION - READ, FOLLOW, AND SAVE THESE INSTALLATION INSTRUCTIONS

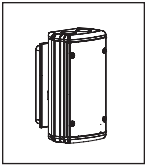
# B-K LIGHTING

40429 Brickyard Drive • Madera, CA 93636 • USA  
559.438.5800 • FAX 559.438.5900  
www.bklighting.com • info@bklighting.com

RELEASE DATE  
08/05/2024

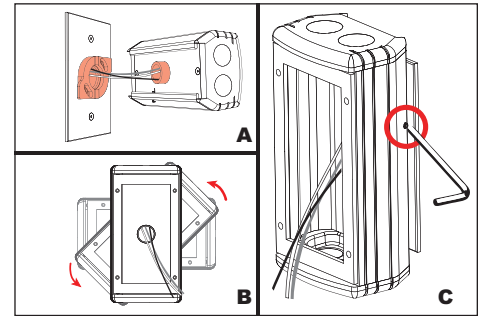
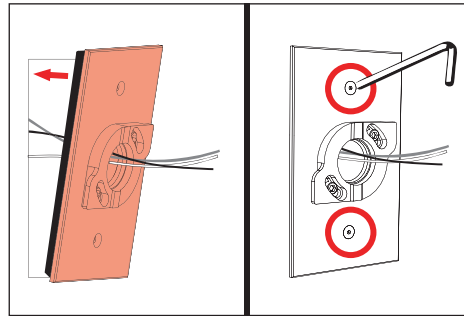
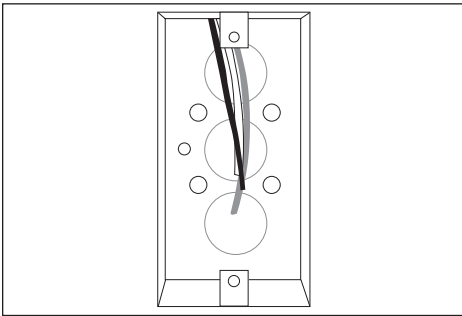
REFERENCE NUMBER  
INS-2895-00

THIS DOCUMENT CONTAINS PROPRIETARY INFORMATION OF B-K LIGHTING, INC. AND ITS RECEIPT OR POSSESSION DOES NOT CONVEY ANY RIGHTS TO REPRODUCE, DISCLOSE ITS CONTENTS, OR TO MANUFACTURE, USE OR SELL ANYTHING IT MAY DESCRIBE. REPRODUCTION, DISCLOSURE OR USE WITHOUT SPECIFIC WRITTEN AUTHORIZATION OF B-K LIGHTING, INC. IS STRICTLY FORBIDDEN.



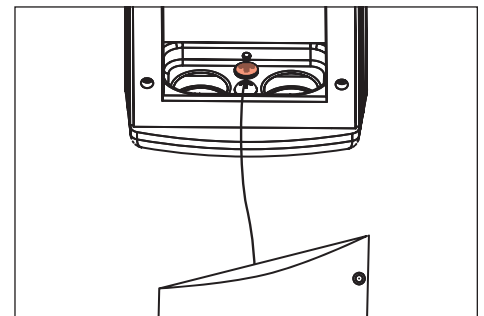
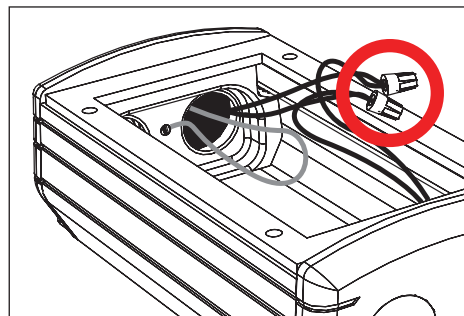
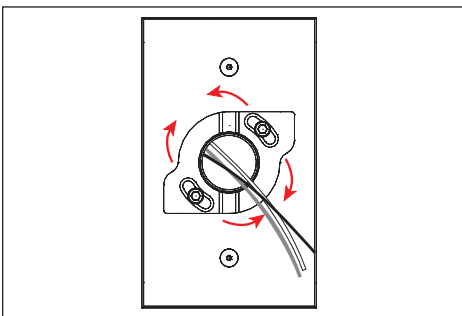
# PM1 & PM2 SPLICE BOX - RECTANGULAR CAMLOCK

## Standard Instructions



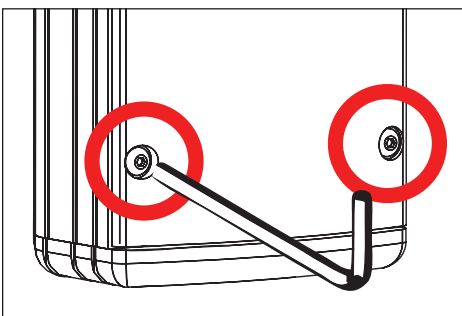
1. Install standard 4.5" x 2.85" recessed junction box (not included) in the final fixture location according to designed lighting plan.
2. Pull branch circuit wiring necessary for installation.
3. Feed branch circuit wiring and lamp leads to remote mounted fixture through mounting plate with CamLock assembly. Attach mounting plate with supplied two (2) #6-32 stainless steel hex drive fasteners to recessed junction box using a 5/64" allen wrench.
4. Feed wire into UPM housing. Install housing on CamLock at 90° to finished orientation as shown. (Figure A)
5. Rotate housing 90° counter-clockwise (Figure B). Tighten set screw with a 5/64" allen wrench on outside of UPM housing to lock in place. (Figure C)

**⚠ NOTE: Vertical or horizontal installation of recessed junction box determines orientation of UPM.**



6. If UPM housing is not level, remove UPM housing; loosen but **DO NOT REMOVE** two (2) #8-32 screws with a 9/64" allen wrench on CamLock assembly. Adjust CamLock assembly up to 30° as needed to level. Tighten the screws and reattach UPM housing.
7. Pull branch circuit wiring necessary for installation.
8. Use waterproof wire connectors (not included) to connect primary leads to branch circuit wires. Connect incoming ground to ground wire provided in UPM housing.
9. Attach tether wire under screw head at the base of the UPM housing and tighten. Slowly lower the faceplate until tether is taut.

**⚠ NOTE: Faceplate tether supplied with UPM is designed as an installation aid and NOT a safety cable. Do not add weight to, or drop faceplate.**



10. Make sure UPM housing gasket is free of any dirt or debris. Attach the faceplate by tightening the four (4) #6-32 captive screws evenly using a 5/64" allen wrench.

**IMPORTANT SAFETY INFORMATION LISTED ON REVERSE  
READ, FOLLOW, AND SAVE ALL SAFETY AND INSTALLATION INSTRUCTIONS**



# B-K LIGHTING

40429 Brickyard Drive • Madera, CA 93636 • USA  
559.438.5800 • FAX 559.438.5900  
www.bklighting.com • info@bklighting.com

RELEASE DATE  
08/05/2024

REFERENCE NUMBER  
INS-2895-00