



Features

- Multi-capsule coffee machine
- Glass panel with Fingerprint-proof Stainless Steel frames
- Electronic control with TFT display
- Capacity: 1 cup
- Adjustable cup support
- Retractable pipe for steam and hot water
- Water tank: 1 liter
- Waste bin
- Liquid waste tray
- Self-cleaning function beginning/end of cycle
- Descaling function
- Capacity to regulate:
 - Quantity of coffee: extra large, large, medium, small
 - Coffee temperature
- Two side storage compartments
- Storage drawer
- Includes 5 capsule adaptors (Nespresso®, Lavazza®, Caffitaly®, E.S.E. pod (Easy Serving Espresso), Coffee powder.

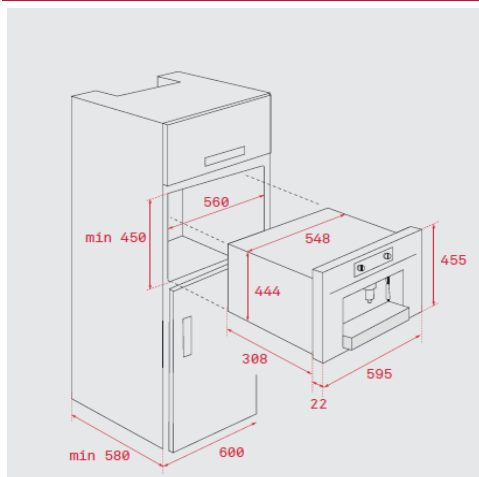
Built-in dimensions

↑ 450 mm → 560 mm ↗ 580 mm

External dimensions

↑ 455 mm → 595 mm ↗ 330 mm

Technical drawing



Color

Reference

EAN 13

- | Color | Reference | EAN 13 |
|-------------|-----------|---------------|
| • SS/ Black | 40589513 | 8421152145616 |

Technical data

- | | |
|-------------------------|-----------------|
| • Tension | 230V |
| • Frequency | 50/60 Hz |
| • Maximum nominal power | 2100 W |
| • Connecting cable | 110 cm + schuko |